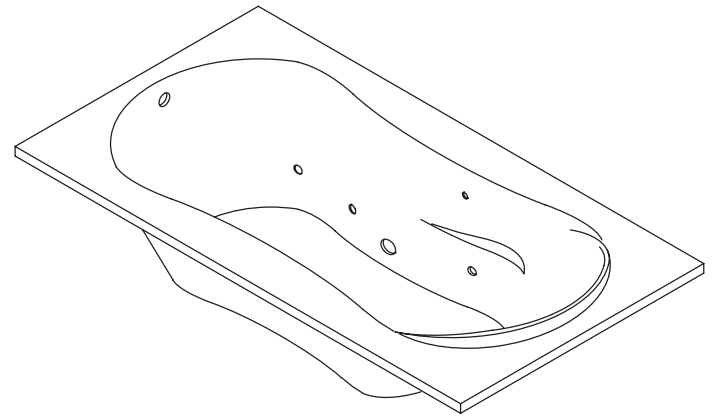


### ACRYLIC BATH WHIRLPOOL

# K-1157, K-1157-L/-R

## FEATURES

- 72" (182.9cm) x 36" (91.4cm) x 20-1/8" (51.1cm)
- Acrylic
- Drop-in or 3-wall alcove
- 6 individually adjustable ProFlex hydro-massage jets
- 1-1/4 HP pump with air switch and cord with plug
- Molded lumbar supports and armrests
- UL listed
- Optional K-1283 separate apron
- Optional K-9696 whirlpool trim kit with various finishes
- Optional K-1639 timer kit



## CODES/STANDARDS APPLICABLE

Specified model meets or exceeds the following:

- ASME/ANSI A112.19.7M
- ANSI Z124.1
- IAPMO/UPC
- Underwriters Laboratories (UL)
- State of Massachusetts

## COLORS/FINISHES

- 0 White
- Other Refer to Fixtures Price Book for additional colors

### Accessories:

- CP Polished Chrome
- PB Polished Brass
- Other Refer to Price Book for additional finishes
- NA None Applicable

## SPECIFIED MODEL:

Model	Description	Colors/Finishes	
K-1157	Whirlpool, drop-in (shown)	<input type="checkbox"/> 0 White	<input type="checkbox"/> Other _____
K-1157-L	Whirlpool, left drain hole, tile flange	<input type="checkbox"/> 0 White	<input type="checkbox"/> Other _____
K-1157-R	Whirlpool, right drain hole, tile flange	<input type="checkbox"/> 0 White	<input type="checkbox"/> Other _____

Recommended Accessories			
K-11677	Drain		<input type="checkbox"/> CP

Optional Accessories			
K-1283	Separate apron with removable panel for front access	<input type="checkbox"/> 0 White	<input type="checkbox"/> Other _____
K-9696	Jet trim kit (metal finishes)	<input type="checkbox"/> CP <input type="checkbox"/> PB	<input type="checkbox"/> Other _____
K-1639	Timer Kit		<input type="checkbox"/> NA

## PRODUCT SPECIFICATION:

The bath whirlpool shall be 72" (182.9cm) in length, 36" (91.4cm) in width, and 20-1/8" (51.1cm) in height. Bath whirlpool shall be made of acrylic, drop-in or 3-wall alcove installation. Bath whirlpool shall have 6 individually adjustable ProFlex hydro-massage jets, 1-1/4 HP pump with air switch and cord with plug. Bath whirlpool shall have molded lumbar supports and armrests. Bath whirlpool shall be UL listed. Bath whirlpool shall have optional K-1283 separate apron. Bath whirlpool shall have optional K-9696 trim kit. Bath whirlpool shall have optional K-1639 timer kit. Bath whirlpool shall be Kohler Model K-1157-\_\_\_\_\_ -\_\_\_\_\_.

# PROFLEX™ 7236

## PRODUCT INFORMATION

Fixture*:	basin area	top area	weight	
Bathing well	55" (139.7cm) x 21" (53.3cm)	65" (165.1cm) x 26" (66cm)	66 lbs. (29.9kg)	
	water depth	capacity		
To overflow	15" (38.1cm)	72 gal. (272.5L)		
* Approximate measurements for comparison only.				
Pump:	HP	V	Hz	A
1-speed	1-1/4	120	60	7.5

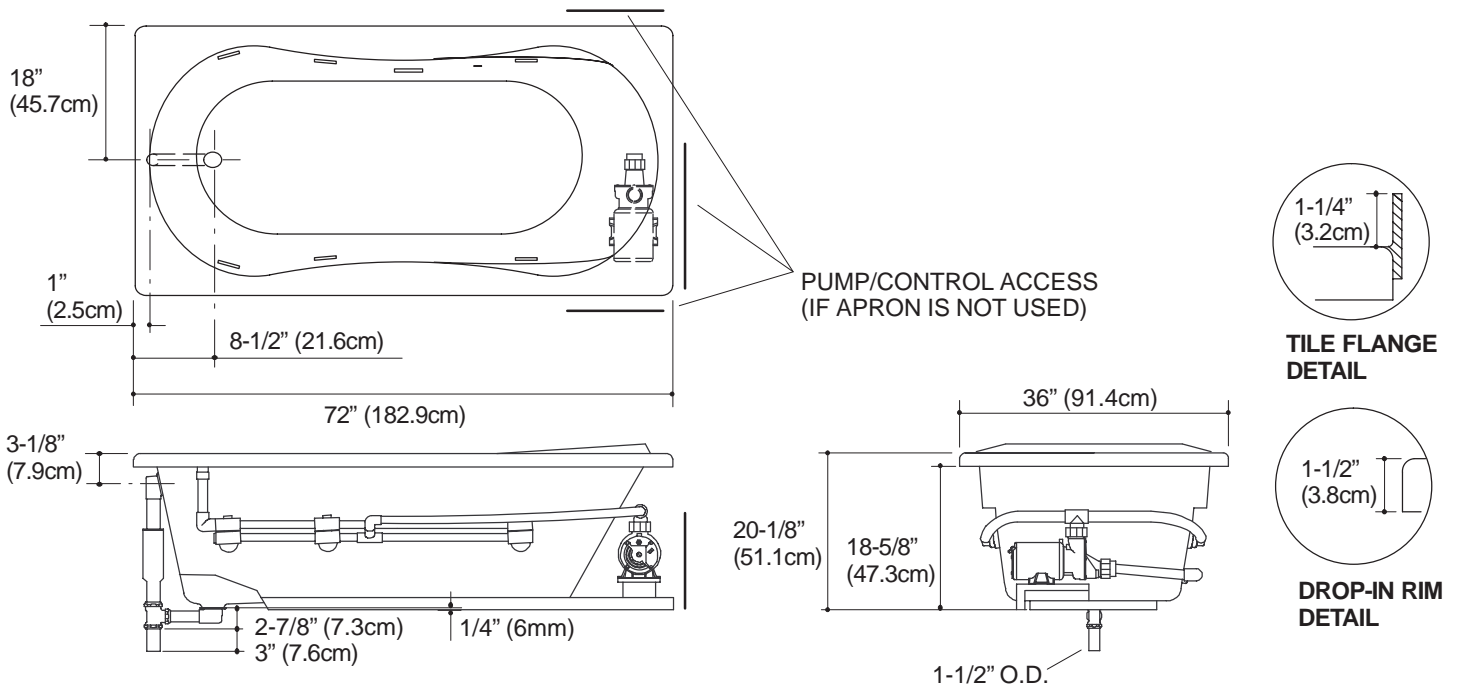
## REQUIRED ELECTRICAL SERVICE

Dedicated circuit required, protected with Class A Ground-Fault Circuit-Interrupter (GFCI):	
Pump/control	120 V, 15 A, 60 Hz
Locate the outlet behind the whirlpool and within 24" (61cm) of the pump.	

## INSTALLATION NOTES

Install this product according to the installation guide. Floor support under whirlpool must provide for a minimum of 80 lbs./square foot (390 Kg./square meter) loading. The apron must be installed before the finish floor and wall materials are installed.

No change in measurements if connected with drain illustrated. (K-11677 or K-11677M)		
Drop-in cut-out	70-1/2" (179.1cm) x 34-1/2" (87.6cm)	
Minimum access panel:		
Pump/control	20" (50.8cm) W x 15" (38.1cm) H	required



## PRODUCT DIAGRAM