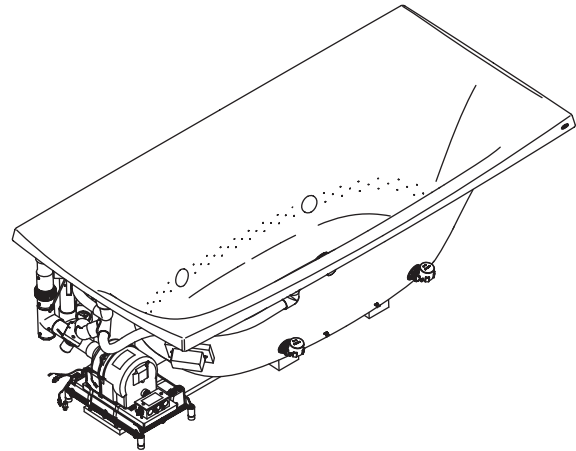


Features

- Acrylic
- With Zones of Control™ feature
- 122 BubbleMassage™ airjets
- 1 hp blower motor with 300 W heater, and electronic user control
- Complements the Escale™ Suite
- 71-5/8" (181.9 cm) x 35-5/8" (90.5 cm) x 24-1/8" (61.3 cm)

BUBBLEMASSAGE™ BATH K-11343-GCR ALSO K-11343-G



Codes/Standards Applicable

Specified model meets or exceeds the following:

- ANSI Z124.1
- IAPMO/UPC IGC 171
- Underwriter's Laboratories (UL)
- CSA International
- ASME A112.19.7M

Colors/Finishes

- 0: White
- Other: Refer to Price Book for additional colors/finishes

Accessories:

- CP: Polished Chrome
- Other: Refer to Price Book for additional colors/finishes

Specified Model

Model	Description	Colors/Finishes	
K-11343-G	BubbleMassage™ bath	<input type="checkbox"/> 0	<input type="checkbox"/> Other _____
K-11343-GCR	BubbleMassage™ bath with chromatherapy	<input type="checkbox"/> 0	<input type="checkbox"/> Other _____

Recommended Accessories*			
K-7214	Bath drain OR	<input type="checkbox"/> CP	<input type="checkbox"/> Other _____
K-7219	Bath drain	<input type="checkbox"/> CP	<input type="checkbox"/> Other _____
K-18486	Symbol™ Roman bath filler with handshower	<input type="checkbox"/> CP	<input type="checkbox"/> Other _____

*Refer to the Kohler Price Book for additional bath faucet options.

Optional Accessories					
K-1601	Footstop	<input type="checkbox"/> 0			<input type="checkbox"/> Other _____
K-1676	Pillow	<input type="checkbox"/> 0			<input type="checkbox"/> Other _____
K-1705	Remote control			<input type="checkbox"/> NA	
K-9498	3" (7.6 cm) whirlpool keypad trim		<input type="checkbox"/> CP		<input type="checkbox"/> Other _____

Product Specification:

The acrylic bath shall be 71-5/8" (181.9 cm) in length, 35-5/8" (90.5 cm) in width, and 24-1/8" (61.3 cm) in height. Bath shall feature 122 BubbleMassage™ airjets, 1 hp blower motor with 300 W heater, and electronic back-lit user control. Bath shall feature Zones of Control™. Bath shall complement the Escale™ Suite. Bath shall be Kohler Model K-11343-_____-_____-_____.

ESCALE™

Technical Information

Fixture*:	
Bathing well	
Basin area	46-3/4" (118.7 cm) x 21-5/8" (54.9 cm)
Top area	69-15/16" (177.6 cm) x 34-3/8" (87.3 cm)
To overflow	
Water depth	16-1/2" (42.1 cm)
Capacity	71 gal (268.8 L)
Weight	130 lbs (59 kg)
* Approximate measurements for comparison only.	

Included component:	
Cut-out template	1054544-7

Blower motor/control:				
Hp	W	V	Hz	A
1	300	220-240	50/60	3

Required Electrical Service

Dedicated circuit required, protected with Class A Ground-Fault Circuit-Interrupter (GFCI) or Earth-Leakage Circuit-Breaker (ELCB):

Blower motor/control	220-240 V, 15 A, 50/60 Hz
----------------------	---------------------------

Installation Notes

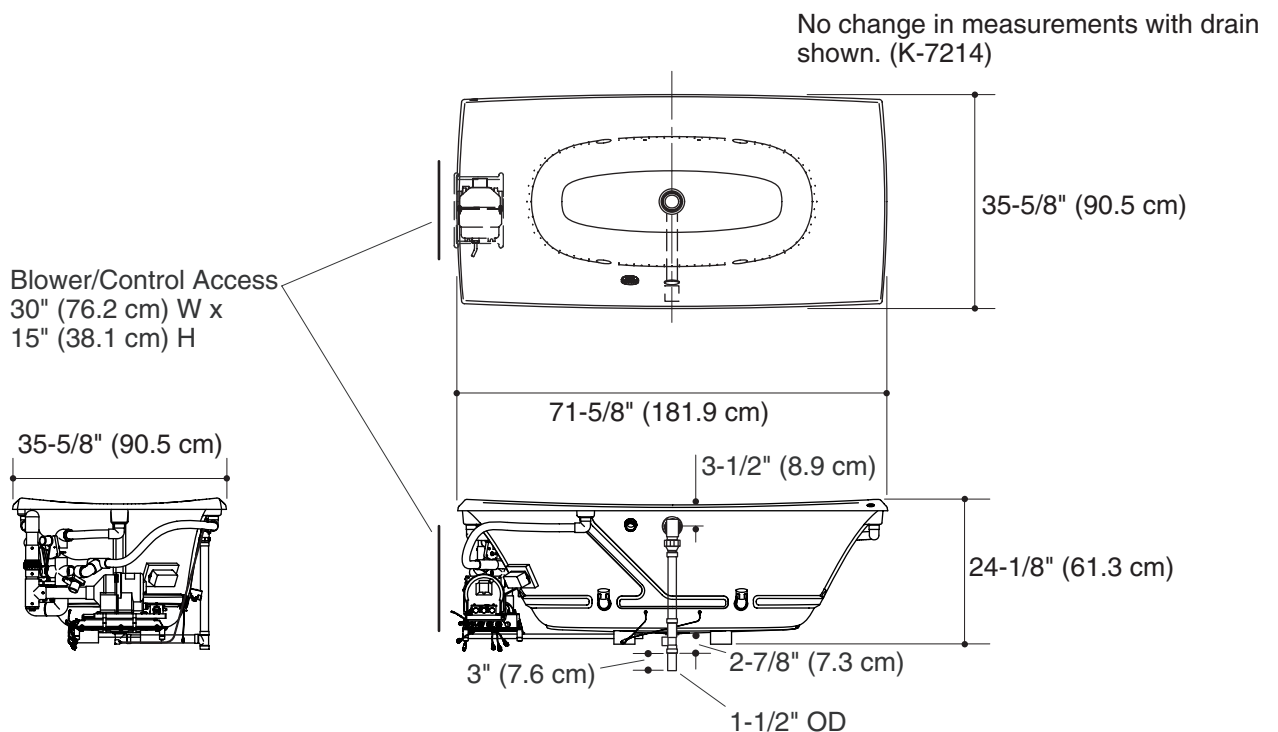
Install this product according to the installation guide.

Floor support under bath must provide for a minimum of 1800 lbs (816.5 kg).

Hot water supply should be 70% of capacity or greater. Installations will vary.

This bath is designed for drop-in installation only. It is not suited for use in a three wall alcove with an overhead shower.

A blower motor/control access panel is required.



Product Diagram