

### Product Information

Applicable product:	
Bath – drop-in, rim style	K-1115
Bath – drop-in, 4-side integral flange	K-1115-F
Fixture*:	
Basin area:	
Bathing well, bottom	55" (139.7 cm) x 23-1/4" (59.1 cm)
Bathing well, top	64" (162.6 cm) x 32" (81.3 cm)
Weight	100 lbs (45 kg)
To overflow:	
Water depth	15" (38.1 cm)
Capacity	78.5 gal (297 L)
* Approximate measurements for comparison only.	
Drop-in cut-out dimensions:	70-1/2" (179.1 cm) x 40-1/2" (102.9 cm)
Recommended accessories:	
Clearflo pop-up drain <b>OR</b>	K-7166-AF
Swiftflo pop-up drain	K-11677

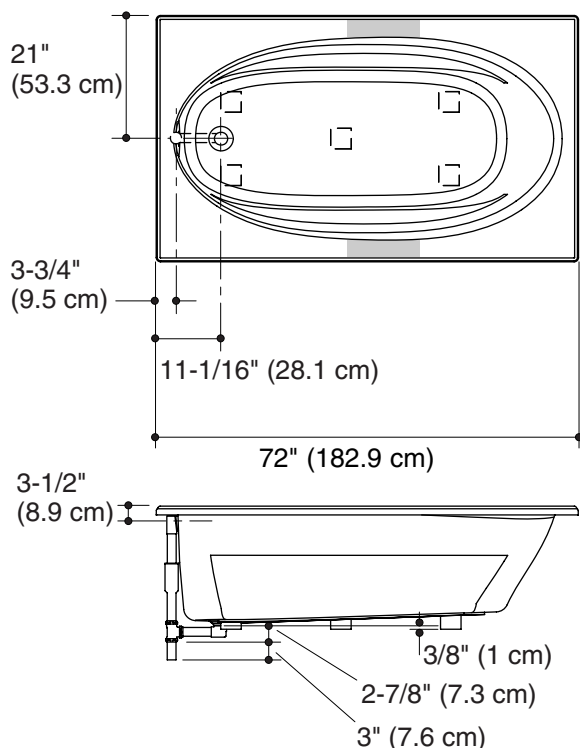
### Installation Notes

Install this product according to the installation guide.

Floor support under the bath must provide for a minimum of 38 lbs/square foot (186 kg/square meter) loading.

If installing a rim-mount faucet, make sure there is no interference with the drain overflow before drilling any holes. Consult local and national codes for minimum air gap requirements if installing a spout on the faucet deck.

Fixtures conforms to ANSI Standard Z124.1.2. All dimensions are nominal.



No change in measurements if connected with drain illustrated. (K-11677 or K-11677M)

Recommended faucet area

