

# Installation Guide

## Bath with Airjets

K-1110, K-1158, K-1167,  
K-1168, K-1173, K-1174,  
K-1375, K-1418, K-1457,  
K-1822, K-1969, K-11343

**M** product numbers are for Mexico (i.e. K-12345**M**)  
Los números de productos seguidos de **M** corresponden a México  
(Ej. K-12345**M**)  
Français, page "Français-1"  
Español, página "Español-1"

THE BOLD LOOK  
OF **KOHLER**®

# IMPORTANT SAFETY INSTRUCTIONS



**WARNING:** When using electrical products, basic precautions should always be followed, including the following:



**DANGER: Risk of electric shock.** To reduce the risk of electrical shock, connect only to circuits protected by a Ground-Fault Circuit-Interrupter (GFCI) or Residual Current Device (RCD).



**WARNING: Risk of electric shock.** A qualified electrician should make all electrical connections.



**WARNING: Risk of electric shock.** Disconnect power before servicing.

**NOTICE:** Follow all local plumbing and electrical codes.

**Grounding is required.** The unit should be installed by a qualified service representative, and grounded.

Building materials and wiring should be routed away from the blower body and other heat-producing components of the unit.

Install to permit access for servicing.

A pressure wire connector marked "Earth/Ground" is provided within the wiring compartment. To reduce the risk of electric shock, connect this connector to the grounding terminal of your electric service or supply panel with copper wire equivalent in size to the circuit conductor supplying this equipment.

Pressure wire connectors are provided on the exterior of the junction box or control within this unit to permit connection of a bonding conductor between this unit and all other exposed metal in the vicinity, as needed to comply with local requirements.

Install this unit in accordance with the Canadian Electrical Code, Part 1.

## Product Information

### Electrical Requirements

**NOTE:** If the supply cord is damaged, it must be replaced by the manufacturer, its service agent, or similarly qualified persons in order to avoid a hazard.

The installation must have a Class A Ground-Fault Circuit-Interrupter (GFCI) or Residual Current Device (RCD). The GFCI or RCD protects against line-to-ground shock hazard. **Use a 220-240 V, 15 A, 50/60 Hz dedicated service for the bath with airjets.**

### Product Notices



**WARNING: Risk of personal or property damage. Unauthorized modification may cause unsafe operation or effect performance of the bath with airjets.** Do not relocate the blower motor, or make other modifications to the bath system in the absence of kit or other published instructions, as this could adversely affect the performance and safe operation of the product. Kohler Co. shall not be liable under its warranty or otherwise for personal injury or damage caused by any such unauthorized modification. Refer to the "Before You Begin" section for blower motor relocation requirements, recommendations, and section coverage information.

**NOTICE: Keep the area around the blower motor clean and free of debris.** Ensure that the area around the blower motor is free of sawdust, insulation, dirt, or other small loose debris. Such material could plug the blower motor air ducts and reduce the air flow through the blower.

## Product Information (cont.)

### Factory Assembled Features

Factory assembled components include a blower motor, air harness, control, check valve, butterfly valves, chromatherapy lights (if provided), electrical harnesses, and an illuminated user keypad. Other than power wiring and plumbing, no assembly is required.

### Connections and Service Access

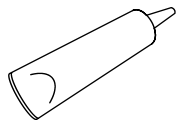
**NOTICE: Provide unrestricted service access to the blower motor.** You must provide access for servicing the blower motor and controls. The access must be located immediately next to the blower motor. Study the roughing-in information packed with the bath with airjets.

Before installation, ensure that there is proper access to the blower motor and final connections. If the blower motor is installed in an enclosed area, an access panel is required at the blower motor. This panel should be at least 34" (86.4 cm) wide and 15" (38.1 cm) high.

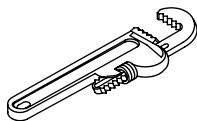
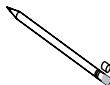
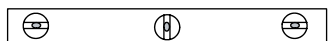
## Table of Contents

IMPORTANT SAFETY INSTRUCTIONS	2
Product Information	2
Electrical Requirements	2
Product Notices	2
Factory Assembled Features	3
Connections and Service Access	3
Tools and Materials	4
Before You Begin	4
Construct the Site - Wood Frame	6
Construct the Site - Concrete	7
Secure the Bath	8
Install the Plumbing	9
Connect the Electrical Service - Standard	10
Remove the Blower Motor and Check Valve - Remote	11
Mount the Blower Motor and Check Valve - Remote	12
Terminate the Blower Power Cable - Remote	13
Install Blower Power Cord at Control - Remote	15
Make Supply Power Connections - Remote	16
Complete the Installation	17
Test Run the Bath	17
Operate the Keypad	20
Troubleshooting	21

## Tools and Materials



Silicone Sealant



### Plus:

- Conventional woodworking tools and materials or conventional masonry tools and materials, as appropriate
- Drop cloth
- Construction Adhesive (optional)
- Cement or Mortar (optional)
- 2x4s or 2x6s (optional)

## Before You Begin



**CAUTION: Risk of product damage.** Do not lift the bath by the piping or blower motor, or use the piping or blower motor for structural support of the bath.

**NOTE:** This bath allows the blower motor and check valve to remain on the bath support board (standard installation) that it is shipped on **or** to be relocated to another location (remote installation). Refer to the sections, noted as "Standard" or "Remote," throughout this installation guide for your applicable installation.

### For Standard and Remote Blower Installations

## Before You Begin (cont.)

- Please read the installation, operating, and safety instructions carefully to familiarize yourself with the required tools, material, and installation sequences. Follow the sections that pertain to your particular installation. This will help you avoid costly mistakes.
- The variety of installations possible with this bath may require framing procedures other than those described in this manual.
- Confirm adequate mounting and connection space for the faucet specified for your installation.

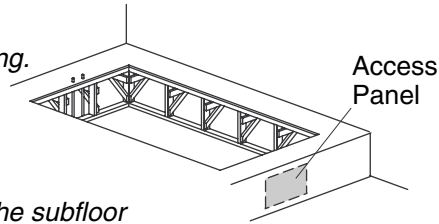
## For Remote Installations

- When mounting the blower motor and check valve in a remote location, choose a space as close to the bath as possible to maximize bath performance. Pay attention to the following requirements and recommendations:
  - The blower motor must be mounted horizontally at least 1-1/2" (3.8 cm) above the floor. Do not mount the blower motor with the blower motor discharge pointing up.
  - Use 1-1/2" PVC or equivalent rigid piping.
  - The piping installation must meet the requirements of local plumbing or building codes. Ensure that the installation does not reduce the fire rating of any walls. Piping must be supported at intervals along the length in accordance with local codes.
  - Ensure that the blower motor location is clean and free of dust or debris.
  - If appropriate, install an additional access panel for blower motor maintenance.
  - The 18 AWG minimum power cable to the blower motor must meet the requirements of the applicable electrical or building codes. Ensure that the installation does not reduce the fire rating of any walls.
  - The power cord must be supported at intervals along its length in accordance with local codes. Power cords must not rest on surfaces or floors that are subject to flooding.
  - All material needed for the relocation must be supplied by the installer.
- Additional tools and materials:
  - Electrician pliers.
  - Assorted screwdrivers.
  - Adjustable wrench.
  - Drill and bits to install the blower mounting fasteners.
  - 18 AWG non-metallic sheathed cable, two conductors with ground, with support clips, as required.
  - One 4" (10.2 cm) x 2" (5.1 cm) electrical junction box with cover, gasket, and mounting screws.
  - Three strain reliefs. One must fit the blower motor cover with standard NPT (National Pipe Thread) threads. The other two must fit the holes in the new junction box.
  - Six wire connectors (wire nuts or equivalent).
  - 1-1/2" PVC or other rigid pipe with: fittings, unions, PVC cement (or equivalent fastening method), and support clips, as required.
  - Four fasteners (such as flathead wood screws or concrete anchors) to mount the blower motor.
  - Solid copper 8 gauge bonding wire, 36" (91.4 cm).
- Kohler Co. reserves the right to make revisions in the design of products without notice, as specified in the Price Book.

*Construct 2x4 or 2x6 stud framing according to the roughing-in information.*

*Frame the floor according to the roughing-in information.*

*Position the rough plumbing.*



*Verify that the subfloor offers adequate support, and is flat and level.*

## 1. Construct the Site - Wood Frame



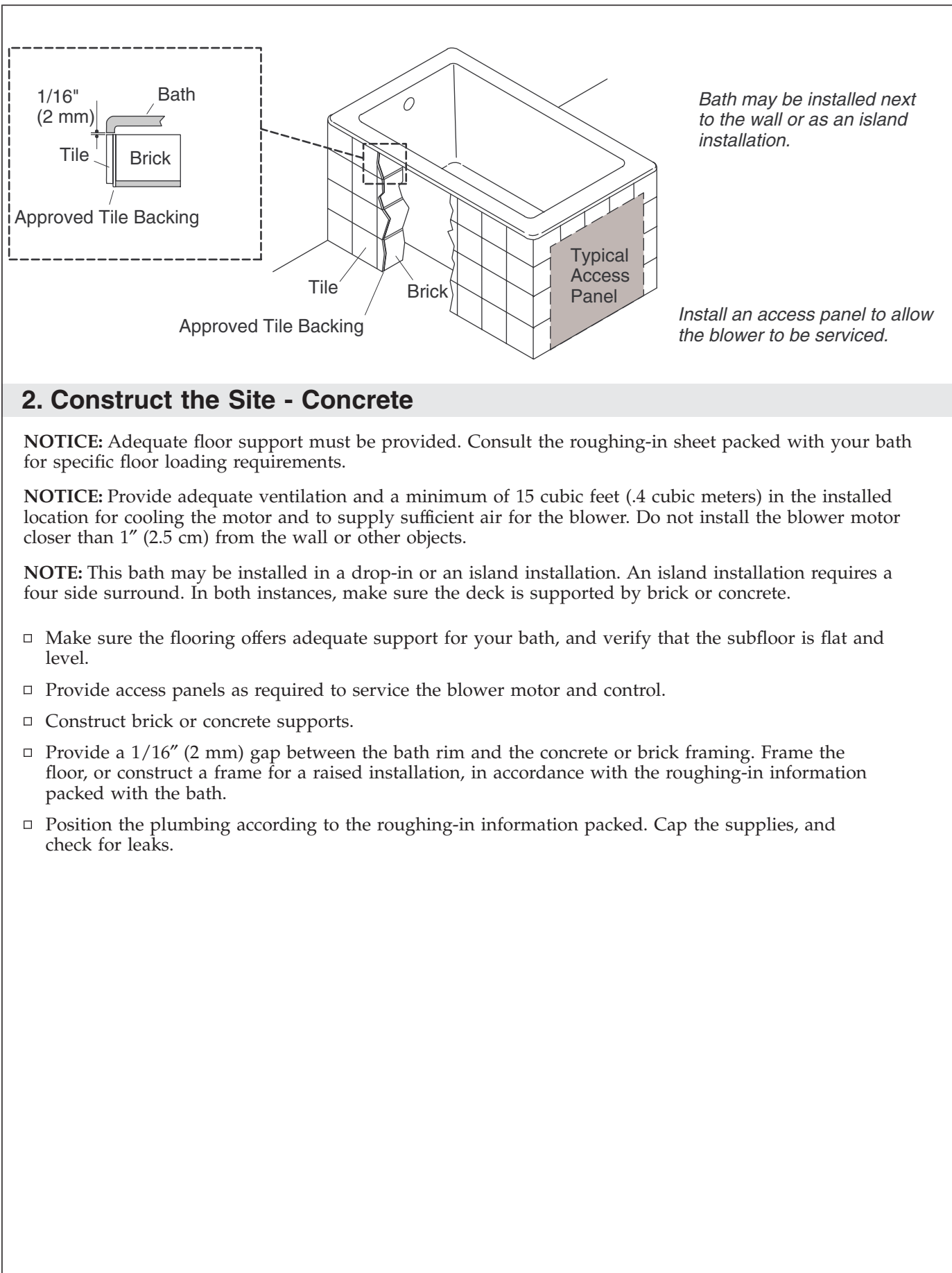
**CAUTION: Risk of property damage.** Do not support the bath by the rim. The bath must be supported by the leveling blocks only.

**NOTICE:** Adequate floor support must be provided. Consult the roughing-in sheet packed with your bath for specific floor loading requirements.

**NOTICE:** Provide adequate ventilation and a minimum of 15 cubic feet (.4 cubic meters) in the installed location for cooling the motor and to supply sufficient air for the blower. Do not install the blower motor closer than 1" (2.5 cm) from the wall or other objects.

**NOTE:** This bath may be installed in a drop-in or an island installation. An island installation requires a four side surround.

- Make sure the flooring offers adequate support for your bath, and verify that the subfloor is flat and level.
- For a drop-in installation:** Carefully lay out and cut the rough deck material. Use the cut-out template if one is provided, or refer to the roughing-in cutout information.
- For an island installation:** Construct a 2x4 frame in accordance with the roughing-in information packed with the bath.
- Provide access panels as required to service the blower motor and control.
- Position the plumbing according to the roughing-in information. Cap the supplies, and check for leaks.



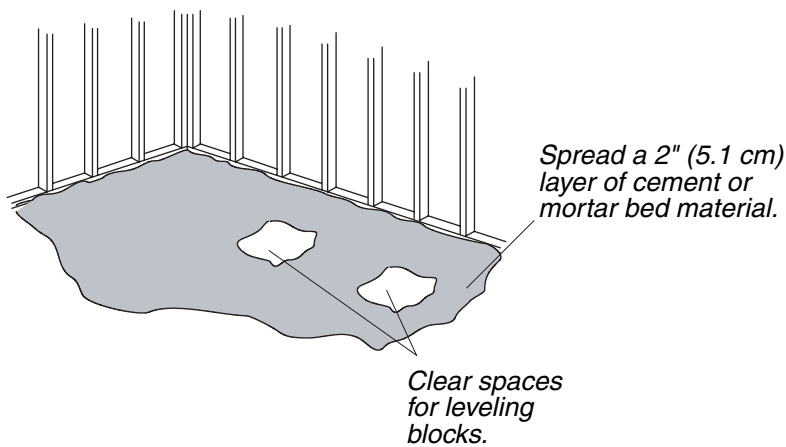
## 2. Construct the Site - Concrete

**NOTICE:** Adequate floor support must be provided. Consult the roughing-in sheet packed with your bath for specific floor loading requirements.

**NOTICE:** Provide adequate ventilation and a minimum of 15 cubic feet (.4 cubic meters) in the installed location for cooling the motor and to supply sufficient air for the blower. Do not install the blower motor closer than 1" (2.5 cm) from the wall or other objects.

**NOTE:** This bath may be installed in a drop-in or an island installation. An island installation requires a four side surround. In both instances, make sure the deck is supported by brick or concrete.

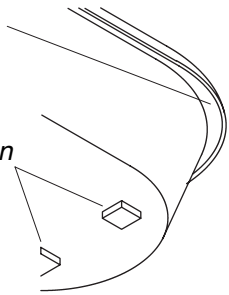
- Make sure the flooring offers adequate support for your bath, and verify that the subfloor is flat and level.
- Provide access panels as required to service the blower motor and control.
- Construct brick or concrete supports.
- Provide a 1/16" (2 mm) gap between the bath rim and the concrete or brick framing. Frame the floor, or construct a frame for a raised installation, in accordance with the roughing-in information packed with the bath.
- Position the plumbing according to the roughing-in information packed. Cap the supplies, and check for leaks.



Apply a bead of silicone sealant around the entire rim.

OR

Apply construction adhesive to the leveling blocks.



### 3. Secure the Bath

#### For All Installations

- Install the drain to the bath according to the drain manufacturer's instructions. Do not connect the trap at this time.
- Using a clean drop cloth or similar material, cover the bottom of the bath and the airjets. This will protect the bath surface and components from being scratched or damaged during the installation process.

#### Secure Bath to the Subfloor



**CAUTION: Risk of product damage.** Do not lift the bath by the piping or blower motor, or use the piping or blower motor for structural support of the bath.



**CAUTION: Risk of product damage.** Do not support the bath by the rim.

**NOTICE:** The bath must be secured using one of the following three methods: cement or mortar bed, construction adhesive, or silicone sealant. Choose the installation option that best applies to your particular installation. Follow the appropriate instructions.

**NOTICE:** Ensure the subfloor is level before proceeding. If necessary, use shims to achieve level.

#### Cement or Mortar Bed Method

**NOTICE:** Do not use gypsum cement or drywall compound, as these materials will not provide a durable bond. Only use cement or mortar.

- Spread a 2" (5.1 cm) thick layer of cement or mortar on the subfloor **except** where the leveling blocks will be located.
- Clear any cement or mortar away from the leveling block locations.
- Place a plastic liner or similar material over the cement or mortar.
- With help, carefully move the bath into the installation area. Make sure the blower motor control and leveling blocks do not rest in the bed material.
- Verify the leveling blocks are resting directly on the subfloor. Reposition as needed.
- Verify the bath is level across the top of the bath. If the bath is not level, shims must be used under the leveling blocks.
- Connect the drain tailpiece to the trap.
- Remove the protective tape from the rim.



### Secure the Bath (cont.)

- Apply a continuous bead of high-quality silicone sealant around the entire rim of the bath. Allow the sealant to cure according to the manufacturer's instructions.

### Construction Adhesive Method

- Apply a generous amount of high-quality construction adhesive to the bottom of the leveling blocks.
- With help, carefully move the bath into the installation area.
- Verify the leveling blocks are resting directly on the subfloor. Reposition or shim as needed.
- Verify the bath is level across the top of the bath. If the bath is not level, shims must be used under the bath.
- Connect the drain tailpiece to the trap.
- Remove the protective tape from the rim.
- Apply a continuous bead of silicone sealant around the entire rim of the bath. Allow the sealant to cure according to the manufacturer's instructions.

### Silicone Sealant Method

- With help, carefully move the bath into the installation area.
- Verify the leveling blocks are resting directly on the subfloor. Reposition or shim as needed.
- Verify the bath is level across the top of the bath. If the bath is not level, shims must be used under the bath.
- Connect the drain tailpiece to the trap.
- Remove the protective tape from the rim.
- Apply a continuous bead of silicone sealant around the entire rim of the bath.
- Allow the sealant to cure according to the manufacturer's instructions.

## 4. Install the Plumbing



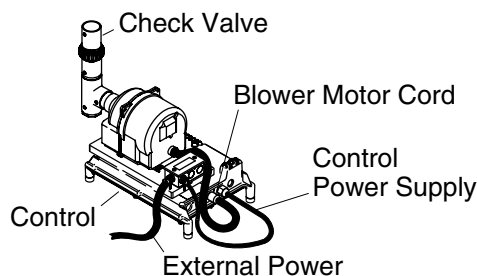
**CAUTION: Risk of property damage.** A watertight seal must exist on all bath drain connections. The watertight seal will prevent property damage.

- Connect the drain to the trap according to the drain manufacturer's instructions.

**NOTE:** To simplify future maintenance, provide access to all plumbing connections.

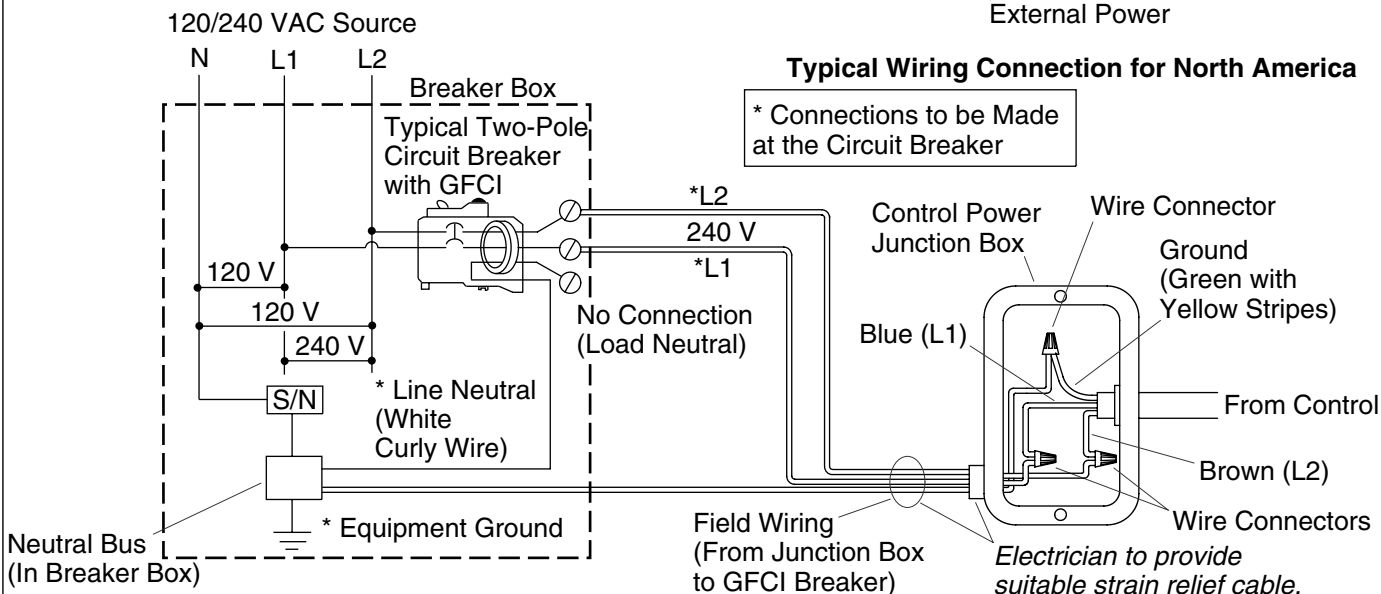
- Install the faucet valving according to the faucet manufacturer's instructions. Do not install the faucet trim until instructed. Open the hot and cold water supplies, and check the supply connections for leakage.
- Run water into the bath, and check the drain connections for leakage.

Bond in accordance with national and local codes. Open bonding lugs are located at the top of the junction box.



### Typical Wiring Connection for North America

\* Connections to be Made at the Circuit Breaker



## 5. Connect the Electrical Service - Standard

**NOTE:** The product model number is printed on a label on the pump side of the whirlpool bath. This label also identifies the electrical rating of the product. All whirlpools come equipped with a wiring junction box and are designed to operate between 220 VAC and 240 VAC at either 50 Hz or 60 Hz.



**WARNING: Risk of electrical shock.** Make sure the power has been disconnected before performing the following procedures. Refer to the "Important Information" section.



**WARNING: Risk of electrical shock.** To reduce the risk of electrical shock, connect the pump to a properly grounded Ground-Fault Circuit-Interrupter (GFCI) or Residual Current Device (RCD). This will provide additional protection against line-to-ground shock hazard. A 220-240 V, 15 A, 50/60 Hz dedicated circuit is required.

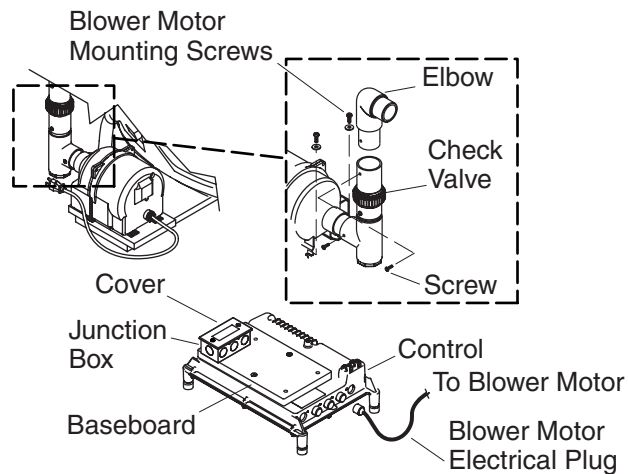
**NOTICE:** The **load neutral** is not used. There should be no connection to the **load neutral** terminal on the Ground-Fault Circuit-Interrupter (GFCI) or Residual Current Device (RCD). The green wire with the yellow stripe is the **equipment ground** and needs to be connected to the neutral bus in the main circuit breaker box.

**NOTICE:** The bath control and system have been pre-wired at the factory. A qualified electrician should make a routine service connection to the junction box.

- Connect service to the control power junction box. The junction box contains blue, brown, and green with a yellow stripe colored wires. Follow local electrical codes. Bond in accordance with national and local codes.

**NOTE:** A wiring harness has been pre-wired at the factory. No additional wiring is required, but ensure that all wires are securely fastened.

**NOTE:** Your wiring harness includes an antenna for the optional remote control. Do not alter or damage this antenna during installation.



## 6. Remove the Blower Motor and Check Valve - Remote

**NOTICE:** This section applies only to installations in which the blower motor and check valve are being relocated from the shipping position on the support board.

**NOTICE:** Do not cut the blower harness for this installation.

**NOTICE:** You must relocate the check valve with the blower motor.

### Remove the Blower Motor

- Disconnect the blower motor electrical plug from the control.
- Remove any cable ties that support the blower motor cord.
- Remove and retain the retaining screw holding the blower harness on the blower motor discharge.
- Remove and retain the four motor mounting screws from the blower adapter baseboard.
- While restraining the tee with one hand, slide the blower motor away from the tee.
- Remove the blower motor from the bath.

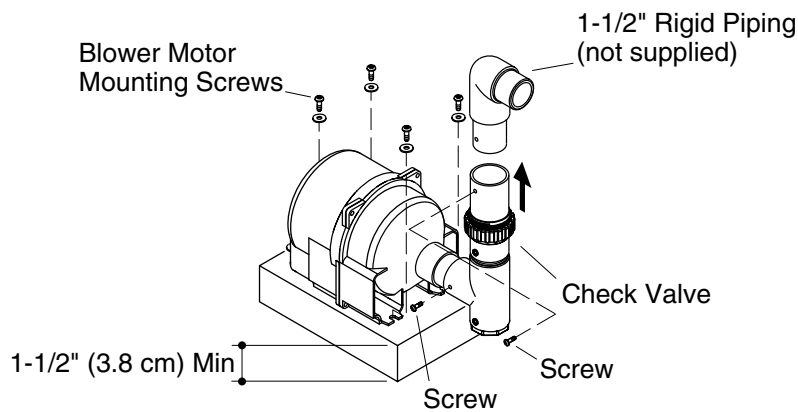
### Remove the Check Valve

- Remove and retain the upper retaining screw at the check valve.
- Remove the check valve and attached PVC elbow from the bath.

### Prepare the Site

**NOTE:** Refer to the "Before You Begin" section for detailed requirements for the blower motor relocation.

- Prepare the site where the blower motor will be installed. The site must be within 15' (4.5 m) of the bath.
- As appropriate, install an access panel to service the blower motor.
- As appropriate to the installation, prepare the routing paths for the PVC piping and the new blower motor power cable. Follow all applicable codes.



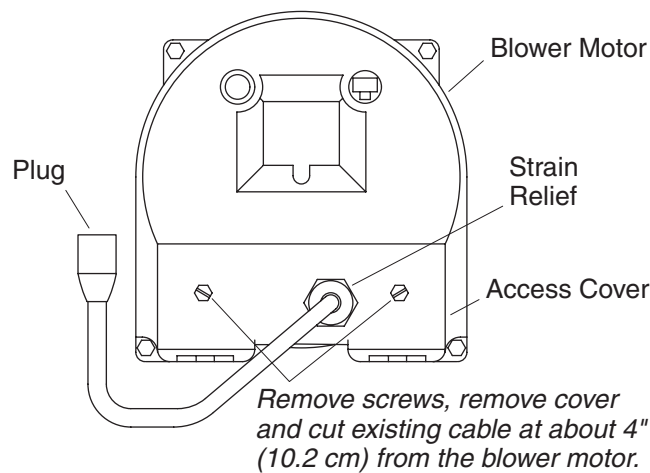
## 7. Mount the Blower Motor and Check Valve - Remote

**NOTE:** The blower motor must be mounted horizontally 2" (5.1 cm) above the floor. Do not mount the blower motor with the blower motor discharge pointing up.

**NOTE:** The check valve must be relocated with the blower motor. At the new location, the check valve must be no lower than 24" (61 cm) below the rim of the bath. The check valve must be within 12" (30.5 cm) of the blower motor. The check valve must be oriented vertically with the flow arrow pointing up.

**NOTE:** Refer to the "Before You Begin" section for other detailed requirements for the blower motor relocation.

- At the new blower motor location, install a minimum 1-1/2" (3.8 cm) high block (not supplied) for the blower motor support.
- Use the blower motor as a template to mark the location of the four mounting bolts or screws.
- Drill four 1/8" (3 mm) pilot holes for the blower motor mounting screws.
- Install and support PVC or other 1-1/2" rigid piping (not supplied) between the blower motor location and the bath air harness.
- Connect the new piping to the existing air harness without modifying the air harness. Align the new pipe and secure the connection with PVC cement. **Allow the PVC cement to cure according to the manufacturer's instructions.**
- Connect the check valve assembly to the new piping. Align the new pipe with the check valve assembly and drill a hole for the existing mounting screw. Use silicone or equivalent sealant at the connection and reuse the screw that was removed previously. Allow the sealant to cure according to the manufacturer's recommendations.
- Apply silicone or equivalent sealant to the lower connection of the check valve assembly.
- Align the blower motor with the lower connection of the check valve assembly. Position the motor on the support block. Reinstall the retaining screw. Allow the sealant to cure according to the manufacturer's recommendations.
- Fasten the blower motor to the new support block with the retained mounting screws.



## 8. Terminate the Blower Power Cable - Remote

### Route the Power Cable

- Route two conductors with ground 18 AWG or equivalent power cable (not supplied) between the bath and blower motor locations. Follow all applicable electrical and fire codes. Ensure that the cable jacket meets applicable code requirements and the cable is properly supported and protected.

### Prepare the Blower for Remote Installation

- Loosen the cable strain-relief nut on the blower motor. Push the nut back on the cable to provide clearance for the cover removal.
- Remove the two access cover screws from the back of the blower motor. As you are loosening the screws, check periodically if the cover can be slid back on the electrical cable.
- When the cover is loose, use electrician pliers or equivalent to cut the electrical cable at a point about 4" (10.2 cm) from where the cable disappears into the blower motor housing.
- Pull the free end of the electrical cord through the cover, insert, and strain relief nut.
- Discard the existing strain relief nut and insert.
- Reconnect the blower motor plug to the control.
- Install a standard NPT threaded strain relief to the blower motor cover.
- Temporarily store the removed components in a safe location.

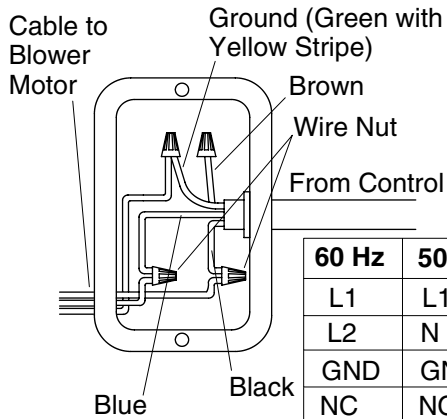
### Connect the New Power Cable at the Blower Motor

- At the blower motor 4" (10.2 cm) pigtail lead, strip back the cable jacket about 3" (7.6 cm).
- At the newly installed blower motor power cable, strip back the cable jacket about 2" (5.1 cm).
- For installations in the United States, mark any white conductors with red or black tape as required by the NEC.
- Strip the wire insulation about 3/8" (1 cm) from the blower motor pigtail leads and from the power cable leads.
- Route the new power cable leads through the blower motor access cover and strain relief.
- Using wire nuts or other approved termination methods, terminate the conductors as follows:
  - Connect the black pigtail lead to the L1 conductor of the power cable.
  - Connect the blue pigtail lead to the L2 conductor of the power cable.
  - Connect the green with yellow stripe pigtail lead to the grounding or earthing conductor of the power cable.

### **Terminate the Blower Power Cable - Remote (cont.)**

- With the two screws, reinstall the access cover on the blower motor.
- Tighten the strain relief on the power cable at the blower motor.
- Remove any dust or debris from the blower motor area.

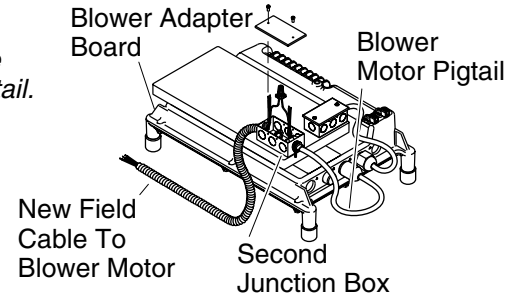
## Second Junction Box



60 Hz	50 Hz	From Control
L1	L1	Black
L2	N	Blue
GND	GND	Green w/Yellow Stripe
NC	NC	Brown

Strip back the jackets about 3" (7.6 cm) on the field cable and on the blower motor pigtail. Then cut the unused fourth conductor brown wire off at the point that the cable jacket ends.

## Control Power Junction Box



Route the cut end of the cord to the new junction box. Add strain relief. Install junction box with cover and bonding lug (not provided).

## 9. Install Blower Power Cord at Control - Remote

### Install the Second Junction Box on the Control

- Install a second junction box with external bonding lug, two strain reliefs, and a cover (not supplied) on the blower adapter board on the control.
- Connect a solid copper 8 gauge bonding wire from the bonding lug on the new junction box to the spare bonding lug on the control. Follow all local electrical codes.

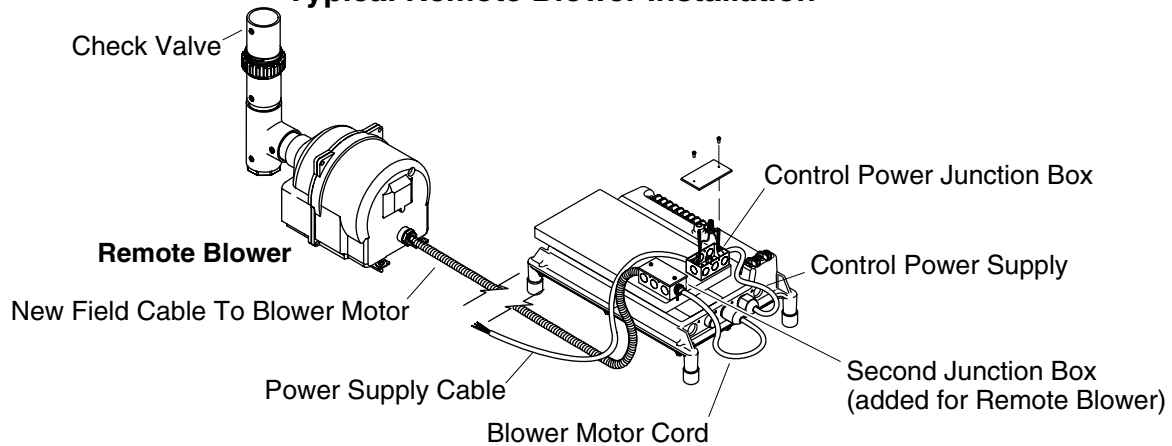
### Reconnect the Blower Motor Power Cord

- If required, reconnect the blower motor power cord at the control.
- Route the power cord through a strain relief on the second junction box. Tighten the strain relief.
- At the end of the cut power cord, strip back the cable jacket about 3" (7.6 cm).
- Using a wire nut, cap off the unused brown conductor in the cable jacket.
- Strip the wire insulation about 3/8" (1 cm) of the remaining wires from the control.

### Reconnect the Blower New Power Cable

- Route the new power cable from the blower through the other strain relief on the second junction box. Tighten the strain relief.
- Strip back the cable jacket about 3" (7.6 cm).
- For installations in the United States, mark the white wire with either red or black electrical tape as required by the NEC.
- Strip the end of the wires about 3/8" (1 cm).
- Use approved termination devices to terminate the conductors as follows:
  - Connect the black pigtail lead to the L1 conductor of the power cable.
  - Connect the blue pigtail lead to the L2 conductor of the power cable.
  - Connect the green with yellow stripe pigtail lead to the grounding or earthing conductor of the power cable.
  - The brown wire is not used and should be capped with a wire nut.
- Install the cover on the new junction box.

## Typical Remote Blower Installation



## 10. Make Supply Power Connections - Remote



**WARNING: Risk of electric shock.** To reduce the risk of electric shock, connect the control to a properly grounded Ground-Fault Circuit-Interrupter (GFCI) or Residual Current Device (RCD). This will provide additional protection against line-to-ground shock hazard. A dedicated 220-240 V, 15 A, 50/60 Hz circuit is required.



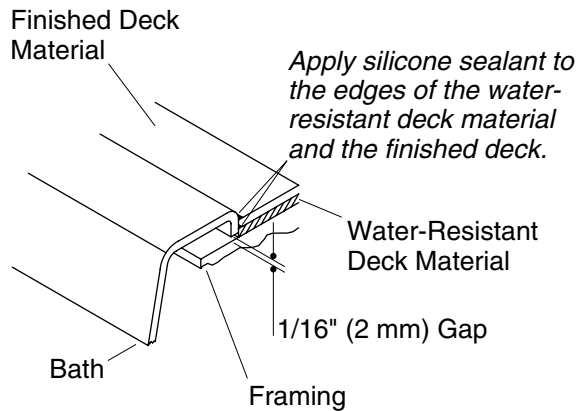
**WARNING: Risk of electric shock.** Make sure the power has been disconnected before performing the following procedures.

**NOTE:** The model number and electrical rating for the bath is printed on a label near the bath blower motor.

- Ensure that the control power supply cord is properly routed to the control power junction box. The control power supply cord contains a brown wire (Line 1), a blue wire (Line 2), and a green wire with a yellow stripe (ground or earth).
- Install a strain relief (not provided) for the power supply cable to the control power junction box.
- Route the power supply cable to the control power junction box.
- As required, strip the jacket and wire insulation on both cables to make the connections.
- For installations in the United States, mark any white conductor in the supply power wiring with red or black tape as required by the NEC.
- Connect service to the control power junction box.
- Provide a separate equipment earthing or grounding conductor to the spare earth/ground lug located on the control power junction box. This conductor **must not** be connected to any current-carrying conductor. Follow local electrical codes.
- Bond in accordance with national and local codes.
- Clean the area of all dust and debris.
- All wiring harnesses have been pre-wired at the factory. Ensure that all wires are securely fastened.

**NOTE:** Your wiring harness includes an antenna for the optional remote control. Do not alter or damage this antenna during installation.





## 11. Complete the Installation

### For Drop-In Installations

- If you have not already done so, carefully remove the protective tape from the bath rim.
- Cover the framing with water-resistant deck material. Seal the joints between the bath rim edge and the water-resistant deck material with silicone sealant.
- Install the faucet trim according to the instructions packed with the trim.

### For Island Installations

- If you have not already done so, carefully remove the protective tape from the bath rim.
- Apply mortar and tile to any wall, deck, and surround material as needed.
- Apply a bead of sealant where the tile meets the bath surface.
- Install the faucet trim according to the instructions packed with the trim.

### For All Installations

- Clean the area around the blower motor of all dust and debris.
- Use warm water and a liquid detergent to clean the surface of the bath. **Do not use abrasive cleansers**, as they may scratch and dull the bath surface. **Do not use powdered cleaners unless the cleaner is fully dissolved in water.** Solid substances could block the airjets. **Do not use bleach or ammonia cleaning solutions.** Chemically active cleaning solutions can damage the bath surface. Refer to the homeowners guide for normal cleaning recommendations.

## 12. Test Run the Bath

**NOTE:** If the bath is not operating properly, consult the "Troubleshooting" section of this guide before calling a qualified service representative.

**NOTE:** For additional information on operating the bath, see the "Operate the Keypad" section.

### Preliminary Checks

- Temporarily remove all access panels.
- Ensure that the area around the blower is free of sawdust, insulation, dirt, or other small loose debris.
- Verify the union connection at the check valve is securely hand tightened.
- Verify the piping from the blower to the butterfly valves is properly connected and supported.
- Verify the piping from the check valve to the butterfly valves is properly connected and supported.

### **Test Run the Bath (cont.)**

- Ensure that the cable ties or other clips are supporting the air supply harness and electrical harnesses at the bath.
- Ensure any unused electrical connectors are supported above the floor.
- Check all electrical connections. Verify the electrical power to the bath is turned on.
- Ensure all PVC piping connections are tightened.

### **Confirm Blower Operation**

- Remove the protective drop cloth from the bath.
- Fill the bath to a level at least 2" (5.1 cm) above the top of the highest airjet.
- Press the power button on the user keypad.
- Observe that the user keypad icons illuminate. The air flow mode icon and the chromatherapy cycle icon (if provided) will illuminate green. The Zone 1, Zone 2, and Zone 3 icons are also illuminated green since all three zones are activated.
- Observe that the blower motor starts at a midrange speed.
- If provided, verify that all four chromatherapy lights are illuminated. The cycling of colors may not be readily apparent as the cycle time may be rather long.

**NOTE:** The purge cycle mode cannot be selected while there is water in the bath.

- Rotate the outer ring through each of the available icon positions.
- As each icon is selected to activate each mode, verify the icon begins flashing green. If the mode is not operating, the icon will flash blue.
- As each icon is deselected, verify each icon stops flashing.
- Select and activate the air flow mode icon.
- Press the up or down button to verify the air flow increases or decreases.
- Stop the blower.
- Check for water leakage at the bath, the bath drain, and the air harness.

### **Confirm the Individual Zone Control**

- Select and deactivate Zone 1.
- Verify the air stops flowing in the corresponding zone.
- Activate Zone 1.
- Repeat for Zones 2 and 3.
- Check all bath PVC connections for leaks.

### **Confirm the Surge Mode Operation**

**NOTE:** The surge mode cycles the speed of the blower motor between minimum and maximum settings, as shown on the indicator bar on the user keypad. Six cycle times are available, ranging from about 10 seconds to about 1 minute. In this mode, the cycle time can be controlled using the up or down button on the user keypad. The surge mode will operate with any zone or all zones selected.

- Select and activate the surge mode.
- Verify that the air flow cycles between minimum and maximum.
- Increase or decrease the speed of the surge cycle by pressing the up or down button.
- Press the power button on the user keypad.

### **Operate the Chromatherapy Cycle (if equipped)**

### **Test Run the Bath (cont.)**

- Rotate the outer ring to the chromatherapy icon, then press "OK". The chromatherapy lights will automatically and continuously cycle through the eight colors; white, violet, indigo blue, aqua blue, green, yellow, orange and red. One cycle through all eight colors takes approximately 1 minute.
- Press "OK" while the chromatherapy mode is active to turn off the chromatherapy lights.
- Rotate the outer ring to the chromatherapy specific color icon, then press "OK". Use the up or down arrows to reach the desired color.
- Press "OK" again to turn off the chromatherapy lights.

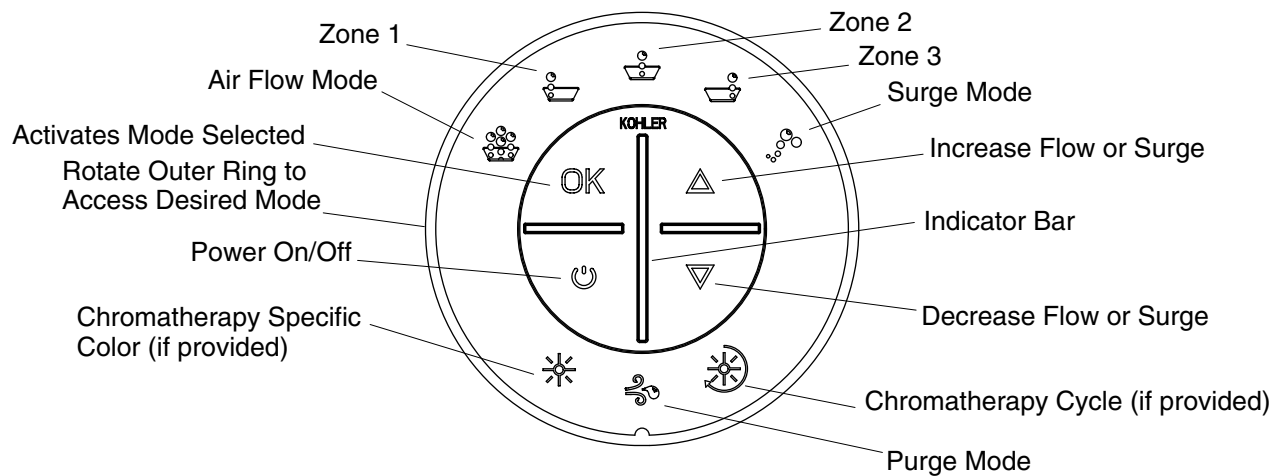
### **Operate the Automatic Purge Cycle**

**NOTE:** The automatic purge cycle occurs after the bath is drained. It operates at low speed for about 2 minutes to remove any residual water from the air channels.

- If required, fill the bath to a level at least 2" (5.1 cm) above the top of the highest airjet.
- Drain the bath.
- When the water level drops below the level sensor probes, verify that the blower starts at low speed.
- After about 2 minutes, verify that the blower motor stops.

### **Operate the Manual Purge Cycle**

- With the bath drained, rotate the outer ring to the purge cycle icon.
- Press the "OK" icon.
- Observe that the blower starts in the purge cycle. Residual water will blow out from the air channels.
- After the blower has operated for about 2 minutes, observe that the blower stops.
- Place the protective drop cloth over the bath.
- Turn off the power to the bath.



### 13. Operate the Keypad

Available modes/features will be illuminated in blue. Active modes will be illuminated in green.

<b>Power On/Off</b>	Turns the blower motor on and off.
<b>Outer Ring</b>	Rotate the outer ring to the desired mode. The selected mode will flash blue.
<b>OK</b>	Activates the desired mode. The active mode will flash green.
<b>Air Flow Mode</b>	Air flow is directed through any combination of the airjets in the selected zones. Adjust the air flow with the arrow buttons. When the surge mode is selected, the air flow mode stops. When the air flow mode is selected while operating in the surge mode, the surge mode stops.
<b>Zone 1</b>	Selects or deselects the air flow through Zone 1.
<b>Zone 2</b>	Selects or deselects the air flow through Zone 2.
<b>Zone 3</b>	Selects or deselects the air flow through Zone 3.
<b>Surge Mode</b>	When active, the air flow ramps up from minimum to maximum and then down again to minimum. Adjust the surge speed between 10 seconds and 60 seconds by using the up or down buttons. Select or deselect zones when in the surge mode.
<b>Up Arrow</b>	Increases the air flow when the air flow mode is active. Increases the pulse speed when the surge mode is active.
<b>Indicator Bar</b>	Shows the air flow volume when operating in the air flow mode. Shows the surge speed when operating in the surge mode.
<b>Down Arrow</b>	Decreases the air flow when the air flow mode is active. Decreases the pulse speed when the surge mode is active.
<b>Purge Mode</b>	Select to initiate the purge mode manually. The purge cycle will not start if there is water in the bath. The purge mode blows any residual water out of the air channels. The blower motor starts and runs at a low speed for about 2 minutes. An automatic purge cycle occurs when the bath is drained and the water level falls below the level sensors.
<b>Sleep Mode</b>	To enhance your bathing experience, the keypad is programmed to darken after approximately 15 seconds of inactivity. Only the last feature selected will remain illuminated. To resume normal operation, press any key or turn the outer ring. Approximately 1 minute after all equipment is turned off, the keypad will darken completely to conserve power. Press the power button or turn the outer ring to reactivate the keypad.
<b>Chromatherapy Cycle</b>	Rotate the outer ring to select this mode, then press OK. The chromatherapy lights will automatically and continuously cycle through eight colors. One cycle through all eight colors takes approximately 1 minute. Only one of the two keypads controls this mode.
<b>Chromatherapy Specific Color</b>	Rotate the outer ring to select this mode. Press OK, press the up or down arrow to select a color, then press OK again. Only one of the two keypads controls this mode.

## Troubleshooting

**NOTICE:** This section is for general aid only. A KOHLER Authorized Service Representative or qualified electrician should correct any electrical problems. For warranty service, contact your dealer or wholesale distributor.

Symptoms	Probable Causes	Recommended Action
1. User keypad does not illuminate when power button is pressed or the outer ring is rotated.	A. No power to control.	A. Check wiring and connect power.
	B. Ground-Fault Circuit-Interrupter (GFCI) or Residual Current Device (RCD) tripped.	B. Reset GFCI or RCD. If it trips again, refer to "Ground-Fault Circuit-Interrupter (GFCI) or Residual Current Device (RCD) trips when bath with airjets is turned on."
	C. Wiring harness from user keypad to control is loose, disconnected or damaged.	C. Check wiring for proper connections. Replace the wiring harness if necessary.
	D. User keypad does not work.	D. Replace the user keypad.
	E. Control does not work.	E. Replace the control.
2. Ground-Fault Circuit-Interrupter (GFCI) or Residual Current Device (RCD) trips when bath with airjets is turned on.	A. Electrical harness is wet or damaged.	A. Check for wet connections. Dry the connections and repair the leak. Check for insulation or connector damage. Replace the harness if damaged.
	B. Electrical wiring to the bath junction box is wet or damaged.	B. Have a qualified electrician diagnose and correct the problem in accordance with applicable building and electrical codes.
	C. Electrical wiring to the bath power cord is wet or damaged.	C. Have a qualified electrician diagnose and correct the problem in accordance with applicable building and electrical codes.
	D. Blower motor is shorted internally.	D. Replace the blower motor.
	E. Control is shorted internally.	E. Replace the control.
3. User keypad is illuminated, but does not respond to buttons or outer ring.	A. Control program is locked.	A. Reset GFCI or RCD.
	B. P5 plug assembly harness from user keypad to control is loose, disconnected, or damaged.	B. Check wiring for proper connections. Replace the wiring harness if necessary.
	C. User keypad does not work.	C. Replace the user keypad.
	D. Control does not work.	D. Replace the control.
4. Blower motor will not start.	A. Power cord from blower motor to control is loose, disconnected, or damaged.	A. Check wiring for proper connections.
	B. Blower motor does not work.	B. Replace the blower motor.
	C. Control does not work.	C. Replace the control.
5. Blower motor stops running and will not immediately restart. Keypad is illuminated.	A. Blower motor overheated and protection device activated.	A. Check for blockage at motor vents. Remove blockage and allow motor to cool. Refer to dealer or wholesale distributor. Otherwise, refer to "User keypad is illuminated, but does not respond to buttons or outer ring. Blower motor will not start."

<b>Troubleshooting (cont.)</b>		
<b>Symptoms</b>	<b>Probable Causes</b>	<b>Recommended Action</b>
6. Blower motor starts, some but not all airjets are bubbling.	A. Blower motor speed is too low.	A. Increase speed set point to blower motor.
	B. Blower motor inlet is blocked.	B. Clean blower motor inlet.
	C. Blower motor does not work.	C. Replace the blower motor.
	D. Blower motor discharge is blocked.	D. Check blockage.
	E. Check valve does not work.	E. Replace the check valve.
	F. Air jets are clogged.	F. Use a small between-the-teeth dental brush and white vinegar. Dip the brush in the vinegar, brush the hole, rinse the brush in clean water, and then use the wet rinsed brush to rinse the hole.
	G. Some zones are closed.	G. Operate all zones.
7. Blower motor runs but no air bubbles are formed.	A. Blower motor inlet is blocked.	A. Clean blower motor inlet.
	B. Air jets are clogged.	B. Use a small between-the-teeth dental brush and white vinegar. Dip the brush in the vinegar, brush the hole, rinse the brush in clean water, and then use the wet rinsed brush to rinse the hole.
	C. Check valve does not work.	C. Replace the check valve.
	D. Blower motor does not work.	D. Replace the blower motor.
	E. Control does not work.	E. Replace the control.
8. Blower motor operates, air bubbles are formed, zone controls work, but variable speed feature does not work.	A. Blower motor inlet is blocked.	A. Clean blower motor inlet.
	B. Loose, disconnected, or damaged wiring harness.	B. Check wiring for proper connections. Replace the wiring harness if necessary.
	C. User keypad does not work.	C. Replace the user keypad.
	D. Blower motor does not work.	D. Replace the blower motor.
	E. Control does not work.	E. Replace the control.
9. Blower motor won't turn off when the power button on user keypad is pressed.	A. User keypad does not work.	A. Replace the user keypad.
	B. Loose, disconnected, or damaged wiring harness.	B. Check wiring for proper connections. Replace the wiring harness if necessary.
	C. Control does not work.	C. Replace the control.
10. A zone does not produce air bubbles but another zone operates normally.	A. Zone is not selected.	A. Select the zone according to the instructions in the "Confirm Proper Operation" section.
	B. Butterfly valve does not work.	B. Replace the butterfly valve.
	C. Loose, disconnected, or damaged wiring harness.	C. Check wiring for proper connections. Replace the wiring harness if necessary.
	D. User keypad does not work.	D. Replace the user keypad.
	E. Control does not work.	E. Replace the control.
11. Surge mode does not work.	A. User keypad does not work.	A. Replace the user keypad.
	B. Control does not work.	B. Replace the control.
12. Water spillage or damage observed under the bath.	A. Drain or overflow leaking.	A. Repair or replace the drain assembly according to the manufacturer's instructions.
	B. Wall, deck, and/or shower door is improperly sealed.	B. Apply silicone sealant at the seams between the bath and the wall, deck, or door.

<b>Troubleshooting (cont.)</b>		
<b>Symptoms</b>	<b>Probable Causes</b>	<b>Recommended Action</b>
	<b>C.</b> Cracked acrylic air channels.	<b>C.</b> Refer to the manufacturer.
<b>13.</b> Bath does not purge automatically.	<b>A.</b> Level sensor wires are disconnected.	<b>A.</b> Connect the level sensor wires.
<b>Chromatherapy (if equipped)</b>		
<b>Symptoms</b>	<b>Probable Causes</b>	<b>Recommended Action</b>
<b>14.</b> Chromatherapy lights do not work.	<b>A.</b> Loose, disconnected or damaged wiring/connections.	<b>A.</b> Check wiring for proper connections. Replace wiring if necessary.
	<b>B.</b> Control does not work.	<b>B.</b> Replace control.
<b>15.</b> Chromatherapy does not cycle.	<b>A.</b> Chromatherapy harness assemble does not work.	<b>A.</b> Replace the chromatherapy harness assembly.

# Guide d'installation

## Baignoire à jets d'air

### INSTRUCTIONS DE SÉCURITÉ



**AVERTISSEMENT:** Lors de l'utilisation des produits électriques, des précautions de base doivent toujours être observées, incluant ce qui suit:



**DANGER: Risque d'électrocution.** Afin de réduire les risques de choc électrique, connecter uniquement à des circuits protégés par un disjoncteur de fuite de terre (GFCI) ou un appareil de courant résiduel (RCD).



**AVERTISSEMENT: Risque d'électrocution.** Un électricien qualifié devrait effectuer toutes les connexions électriques.



**AVERTISSEMENT: Risque d'électrocution.** Débrancher l'alimentation avant de procéder à l'entretien.

**AVIS:** Respecter tous les codes de plomberie et électriques locaux.

**Une mise à la terre est requise.** L'unité doit être installée par un représentant qualifié et être mise à la terre.

Les matériaux de construction et le câblage doivent être acheminés loin du souffleur et des autres composants qui dégagent de la chaleur de l'unité.

Installer de façon à permettre l'accès pour l'entretien.

Un connecteur à pression marqué "Terre/Masse" est prévu dans le compartiment du câblage. Afin de réduire les risques de choc électrique, raccorder le connecteur à une borne de terre du panneau de service électrique avec un câble en cuivre ayant la même dimension que le fil conducteur qui alimente cet équipement.

Un connecteur à pression par câble est prévu à l'extérieur de la boîte de jonction de la pompe ou de la commande de cet appareil afin de permettre la connexion entre l'appareil et toutes autres surfaces de métal avoisinantes, tel que requis par les normes locales.

Installer l'unité conformément au Code canadien de l'électricité, 1ère partie.

### Information sur le produit

#### Branchements électriques requis

**REMARQUE:** Si le câble d'alimentation est endommagé, il doit être remplacé par le fabricant, son représentant ou autre personnel similaire qualifié pour éviter tout danger.

L'installation électrique doit avoir un Disjoncteur de Fuite de Terre (GFCI) ou un appareil de courant résiduel (RCD) de classe A. Le GFCI ou le RCD protège contre une électrocution par la mise à la terre. Utiliser une alimentation dédiée de 220-240 V, 15 A, 60 Hz pour la baignoire à jets d'air.

### Notices du produit



**AVERTISSEMENT: Risque de blessures ou d'endommagement du matériel.** Des modifications non autorisées pourraient provoquer un fonctionnement dangereux ou affecter la performance de la baignoire à jets d'air. Ne pas changer l'emplacement du moteur-souffleur et ne pas effectuer d'autres modifications sur le système de baignoire sans le kit ou sans autres instructions publiées, vu que ce qui pourrait affecter la performance et l'opération sans danger du produit. Kohler Co. décline toute responsabilité sous ses garanties quant à toutes blessures ou dommages causés par des



### Information sur le produit (cont.)

modifications non autorisées. Se référer à la section "Avant de commencer" pour les exigences de déplacement du moteur-souffleur, les recommandations, et l'information de la section.

**AVIS: Garder l'espace autour du moteur-souffleur propre et exempt de débris.** S'assurer que l'espace autour du moteur-souffleur soit exempt de sciure, insulation, poussière, ou autres petits débris volatiles. De tels matériaux pourraient boucher les conduits d'air du moteur-souffleur et réduire le débit d'air à travers le souffleur.

### Caractéristiques assemblées en usine

Les composants assemblés en usine incluent un moteur-souffleur, un harnais d'air, un contrôle, une valve clapet de non-retour, des valves papillons, des lumières de chromathérapie (si fournies), un harnais électrique, et un clavier d'utilisateur illuminé. Aucun montage n'est nécessaire excepté celui du câblage électrique et de la tuyauterie.

### Connexions et accès pour l'entretien

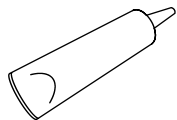
**AVIS: Prévoir un accès total de service au moteur-souffleur.** Prévoir suffisamment d'accès pour l'entretien futur du moteur-souffleur et des contrôles. Le panneau d'accès doit être placé juste à côté du moteur-souffleur. Étudier le plan de raccordement emballé avec la baignoire à jets d'air.

Avant l'installation, s'assurer qu'il y ait un bon accès au moteur-souffleur et aux connexions. Si le moteur-souffleur est installé dans un espace fermé, un panneau d'accès au moteur-souffleur est requis. Ce panneau devrait avoir une largeur de 34" (86,4 cm) et une hauteur de 15" (38,1 cm) minimum.

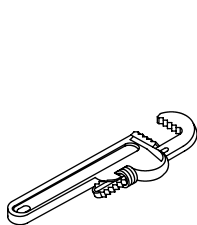
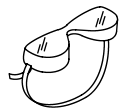
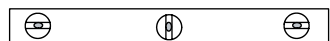
## Sommaire

INSTRUCTIONS DE SÉCURITÉ .....	1
Information sur le produit .....	1
Branchements électriques requis .....	1
Notices du produit .....	1
Caractéristiques assemblées en usine .....	2
Connexions et accès pour l'entretien .....	2
Outils et matériels .....	3
Avant de commencer .....	3
Construction du site - Cadre de bois .....	5
Construction du site - Ciment .....	6
Sécuriser la baignoire .....	7
Installer la plomberie .....	8
Connecter le service électrique - Standard .....	9
Retirer le moteur-souffleur et la valve clapet de non retour - À distance .....	11
Monter le moteur-souffleur et la valve clapet de non retour - À distance .....	12
Raccorder le câble d'alimentation du souffleur - À distance .....	13
Installer le cordon d'alimentation au souffleur - À distance .....	15
Effectuer les connexions électriques - À distance .....	16
Terminer l'installation .....	17
Tester le fonctionnement de la baignoire .....	17
Faire fonctionner le clavier .....	20
Dépannage .....	21

## Outils et matériels



Silicone d'étanchéité



### Plus:

- Outils et matériaux conventionnels pour le bois ou la maçonnerie, selon le cas
- Toile de protection
- Adhésif de construction (en option)
- Ciment ou mortier (en option)
- Montants de 2 x 4 ou de 2 x 6 (en option)

## Avant de commencer



**ATTENTION: Risque d'endommagement du produit.** Ne pas soulever la baignoire par la tuyauterie ou le moteur-souffleur, ou utiliser ceux-ci comme support de la baignoire.

**REMARQUE:** Cette baignoire permet au moteur-souffleur et à la valve clapet de rester sur la plaque de support de la baignoire (installation standard) sur laquelle il est expédié **ou** de le déplacer dans un autre endroit (installation à distance). Se reporter aux sections, notées "Standard" ou "À distance", dans ce guide d'installation pour l'installation en question.

### Pour des installations standard et à distance du souffleur

### **Avant de commencer (cont.)**

- Lire avec attention les instructions d'installation, de fonctionnement et de sécurité pour connaître les outils et matériel requis, ainsi que les étapes d'installation. Suivre les étapes qui s'appliquent à l'installation en question. Ceci vous évitera des erreurs coûteuses.
- Étant donné la variété d'installations possibles pour cette baignoire, des procédures de support autres que celles décrites peuvent être nécessaires.
- S'assurer que l'espace de montage et de raccordement du robinet soit adéquat pour l'installation.

### **Pour des installations à distance**

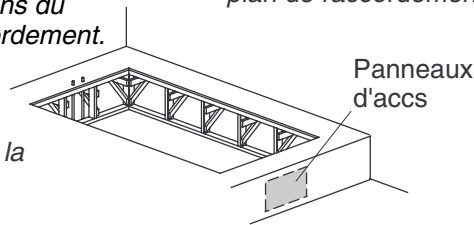
- Lors du montage du moteur-souffleur et de la valve clapet dans un endroit distant, choisissez un espace le plus près de la baignoire possible pour optimiser le fonctionnement de la baignoire. Prêter attention aux exigences et recommandations suivantes :
  - Le moteur-souffleur doit être monté horizontalement à 1-1/2" (3,8 cm) au moins au-dessus du sol. Ne pas monter le moteur-souffleur avec sa décharge pointée vers le haut.
  - Utiliser un PVC de 1-1/2" ou un tube rigide équivalent.
  - L'installation de la tuyauterie doit être conforme aux codes de plomberie et de bâtiment locaux. S'assurer que l'installation ne réduit pas les caractéristiques anti-incendie de tout mur. La tuyauterie doit être supportée à intervalles sur la longueur en accordance avec les codes locaux.
  - S'assurer que l'espace du moteur-souffleur soit propre et exempt de poussière ou de débris.
  - Si approprié, installer un panneau d'accès à la maintenance du moteur-souffleur supplémentaire.
  - Le câble d'alimentation minimum de 18 AWG au moteur-souffleur doit être conforme aux codes applicables d'électricité et de construction. S'assurer que l'installation ne réduit pas les caractéristiques anti-incendie de tout mur.
  - Le câble d'alimentation doit être supporté à des intervalles sur sa longueur, conformément aux codes locaux. Les câbles d'alimentation ne doivent pas reposer sur des surfaces ou sur des planchers susceptibles aux inondations.
  - Tous les matériels nécessaires à la relocalisation doivent être fournis par l'installateur.
- Outils et matériaux supplémentaires:
  - Pinces d'électricien.
  - Tournevis variés.
  - Clé à molette
  - Perceuse et mèches telles que requises pour installer les fixations de montage du souffleur.
  - Un câble à gaine 18 AWG non-métallique, deux conducteurs avec mise à la terre, et avec clips de support, tel que requis.
  - Un boîtier de jonction électrique de 4" (10,2 cm) x 2" (5,1 cm) avec couvercle, joint, et vis de montage.
  - Trois serre-câbles. L'un d'entre eux doit s'adapter au couvercle du moteur-souffleur avec des filets NPT (National Pipe Thread). Les deux autres doivent s'adapter aux orifices du nouveau boîtier de jonction.
  - Six connecteurs de fils (écrous pour fils ou équivalent).
  - 1-1/2" PVC ou autre tube rigide avec : raccords, unions, ciment PVC (ou méthode de fixation équivalente) et clips de support, tel que requis.
  - Quatre dispositifs d'attache (comme des vis à bois à tête plate ou des dispositifs d'ancrage en béton) pour fixer le moteur-souffleur.
  - Un fil de cuivre de liaisonnement solide de calibre 8, 36" (91,4 cm).
- Kohler Co. se réserve le droit d'apporter toutes modifications sur le design des produits et ceci sans préavis, tel que spécifié dans le catalogue des prix.

Construire le cadre avec des montants de 2 x 4 ou de 2 x 6 selon les informations du plan de raccordement.

Préparer le sol selon les informations du plan de raccordement.

Positionner la plomberie.

Vérifier que le sous-plancher peut supporter le poids nécessaire qu'il soit plat et nivelé.



## 1. Construction du site - Cadre de bois



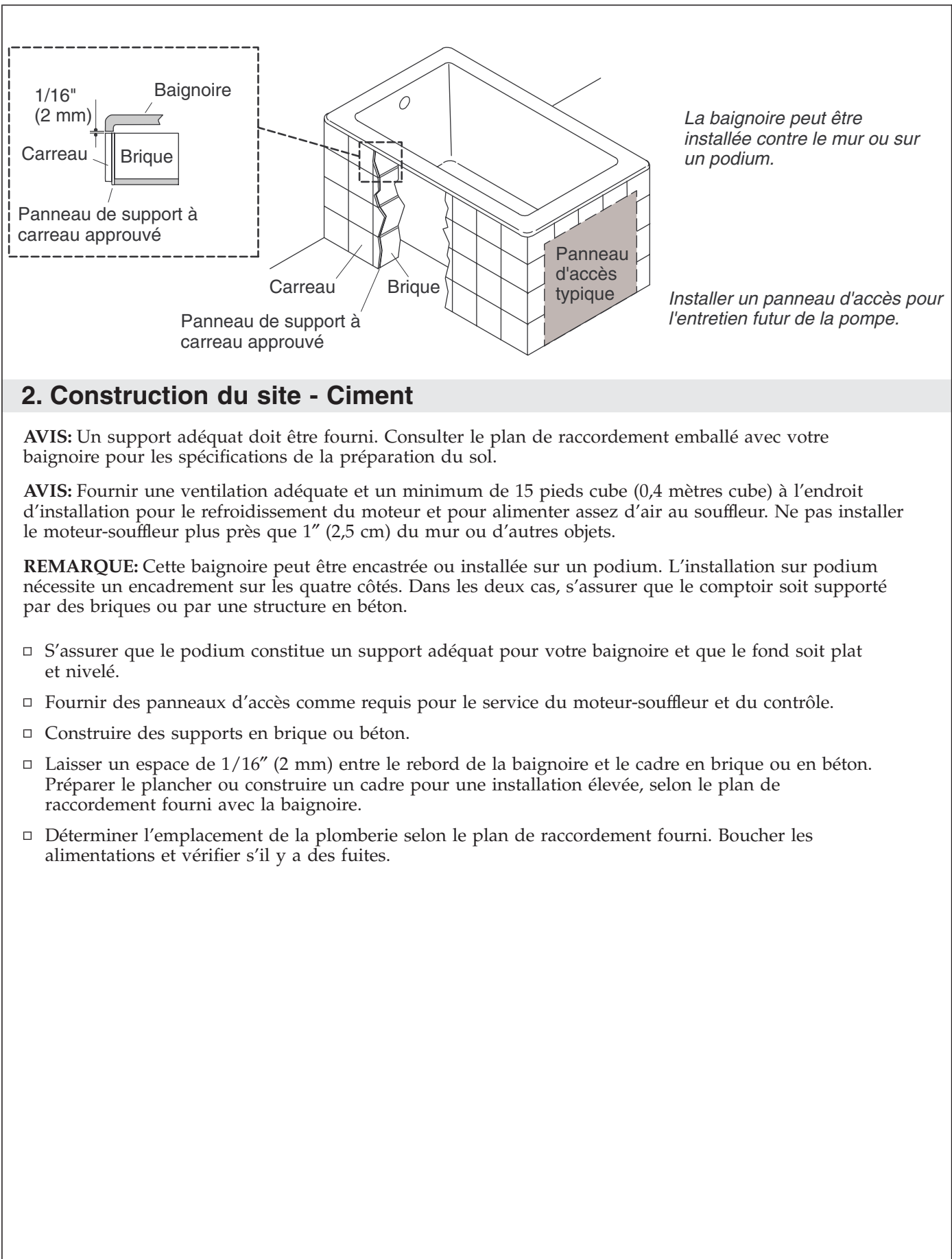
**ATTENTION: Risque d'endommagement du matériel.** Ne pas soulever la baignoire par le rebord. La baignoire doit être supportée par les blocs de mise à niveau uniquement.

**AVIS:** Un support adéquat doit être fourni. Consulter le plan de raccordement emballé avec votre baignoire pour les spécifications de la préparation du sol.

**AVIS:** Fournir une ventilation adéquate et un minimum de 15 pieds cube (0,4 mètres cube) à l'endroit d'installation pour le refroidissement du moteur et pour alimenter assez d'air au souffleur. Ne pas installer le moteur-souffleur plus près que 1" (2,5 cm) du mur ou d'autres objets.

**REMARQUE:** Cette baignoire peut être encastrée ou installée sur un podium. L'installation sur podium nécessite un encadrement sur les quatre côtés.

- S'assurer que le podium constitue un support adéquat pour votre baignoire et que le fond soit plat et nivelé.
- Pour une installation encastrée:** Disposer et découper soigneusement le matériau du comptoir brut. Employer le gabarit s'il est fourni, ou se référer à l'information de découpe du plan de raccordement.
- Pour une installation sur podium:** Construire un cadre de 2x4 selon l'information du plan de raccordement emballé avec la baignoire.
- Fournir des panneaux d'accès comme requis pour le service du moteur-souffleur et du contrôle.
- Positionner la plomberie selon l'information du plan du raccordement. Boucher les alimentations et vérifier s'il y a des fuites.



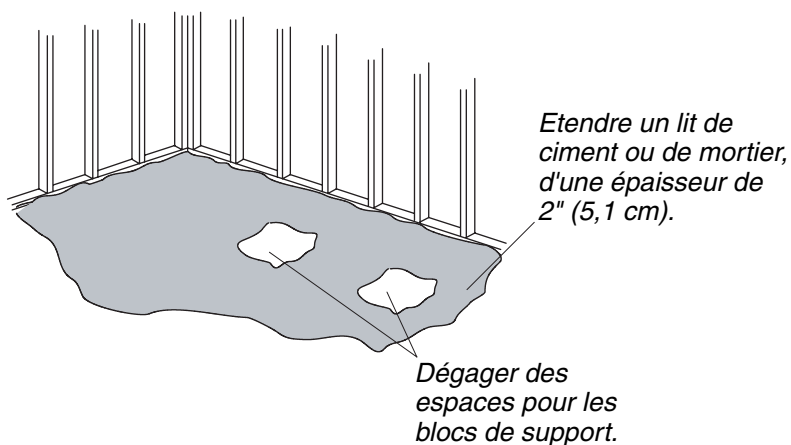
## 2. Construction du site - Ciment

**AVIS:** Un support adéquat doit être fourni. Consulter le plan de raccordement emballé avec votre baignoire pour les spécifications de la préparation du sol.

**AVIS:** Fournir une ventilation adéquate et un minimum de 15 pieds cube (0,4 mètres cube) à l'endroit d'installation pour le refroidissement du moteur et pour alimenter assez d'air au souffleur. Ne pas installer le moteur-souffleur plus près que 1" (2,5 cm) du mur ou d'autres objets.

**REMARQUE:** Cette baignoire peut être encastrée ou installée sur un podium. L'installation sur podium nécessite un encadrement sur les quatre côtés. Dans les deux cas, s'assurer que le comptoir soit supporté par des briques ou par une structure en béton.

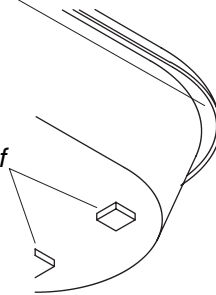
- S'assurer que le podium constitue un support adéquat pour votre baignoire et que le fond soit plat et nivelé.
- Fournir des panneaux d'accès comme requis pour le service du moteur-souffleur et du contrôle.
- Construire des supports en brique ou béton.
- Laisser un espace de 1/16" (2 mm) entre le rebord de la baignoire et le cadre en brique ou en béton. Préparer le plancher ou construire un cadre pour une installation élevée, selon le plan de raccordement fourni avec la baignoire.
- Déterminer l'emplacement de la plomberie selon le plan de raccordement fourni. Boucher les alimentations et vérifier s'il y a des fuites.



Appliquer un boudin d'étanchéité tout autour du rebord.

Ou

Appliquer un adhésif de construction aux blocs de renfort.



### 3. Sécuriser la baignoire

#### Pour toutes les installations

- Installer le drain à la baignoire selon les instructions du fabricant. Ne pas connecter le siphon à ce moment.
- Placer une toile de peintre ou un matériau pour couvrir le fond de la baignoire et les jets d'air afin de protéger sa surface et ses composants des rayures ou endommagements pendant la procédure d'installation.

#### Fixer la baignoire au sous-plancher



**ATTENTION: Risque d'endommagement du produit.** Ne pas soulever la baignoire par la tuyauterie ou le moteur-souffleur, ou utiliser ceux-ci comme support de la baignoire.



**ATTENTION: Risque d'endommagement du produit.** Ne pas soulever la baignoire par le rebord.

**AVIS:** La baignoire doit être sécurisée en utilisant une des trois méthodes suivantes: ciment ou mortier, adhésif de construction, ou mastic à la silicone. Choisir l'option d'installation qui s'applique le mieux à votre installation. Suivre les instructions correspondantes.

**AVIS:** S'assurer que le plancher est nivelé avant de procéder. Si nécessaire, utiliser des cales pour accomplir la mise à niveau.

#### Méthode de ciment ou de mortier

**AVIS:** Ne pas utiliser de plâtre ou un mélange pour cloison sèche, car ces matériaux ne fourniront pas un scellement durable. Utiliser uniquement du ciment ou du mortier.

- Étaler une couche de ciment ou mortier de 2" (5,1 cm) sur le plancher. **excepté** où les blocs de mise à niveau seront localisés.
- Dégager tout ciment ou mortier des emplacements de blocs de mise à niveau.
- Placer une couche en plastique ou matériau similaire sur le ciment ou le mortier.
- Avec de l'aide, placer soigneusement la baignoire dans l'emplacement d'installation. S'assurer que le contrôle du moteur-souffleur et que les blocs de mise à niveau ne reposent pas sur un matériau de lit.
- Vérifier que les blocs de mise à niveau reposent directement sur le plancher. Repositionner au besoin.
- Vérifier que la baignoire soit nivelée à travers son dessus. Si la baignoire n'est pas nivelée, des cales devront être utilisées sous les blocs de mise à niveau.

### Sécuriser la baignoire (cont.)

- Connecter la pièce de raccordement au siphon.
- Retirer la pellicule protectrice du rebord.
- Appliquer du mastic à la silicone de haute qualité tout autour du rebord de la baignoire. Laisser prendre le mastic selon les instructions du fabricant.

### Méthode d'adhésif de construction

- Appliquer généreusement un adhésif de construction de haute qualité à la base des blocs de mise à niveau.
- Avec de l'aide, placer soigneusement la baignoire dans l'emplacement d'installation.
- Vérifier que les blocs de mise à niveau reposent directement sur le plancher. Repositionner ou caler selon le besoin.
- Vérifier que la baignoire soit nivelée à travers son dessus. Si la baignoire n'est pas nivelée, des cales devront être utilisées sous la baignoire.
- Connecter la pièce de raccordement au siphon.
- Retirer la pellicule protectrice du rebord.
- Appliquer un boudin de silicone autour du rebord de la baignoire. Laisser prendre le mastic selon les instructions du fabricant.

### Méthode au mastic à la silicone

- Avec de l'aide, placer soigneusement la baignoire dans l'emplacement d'installation.
- Vérifier que les blocs de mise à niveau reposent directement sur le plancher. Repositionner ou caler selon le besoin.
- Vérifier que la baignoire soit nivelée à travers son dessus. Si la baignoire n'est pas nivelée, des cales devront être utilisées sous la baignoire.
- Connecter la pièce de raccordement au siphon.
- Retirer la pellicule protectrice du rebord.
- Appliquer un boudin de silicone autour du rebord de la baignoire.
- Laisser prendre le mastic selon les instructions du fabricant.

## 4. Installer la plomberie



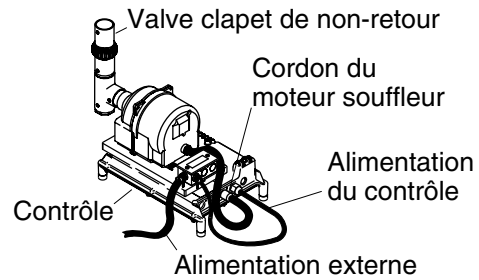
**ATTENTION: Risque d'endommagement du matériel.** Un joint étanche doit être présent sur toutes les connexions de drain de baignoire. Le joint étanche doit prévenir tout dommage.

- Connecter le drain au siphon selon les instructions du fabricant.

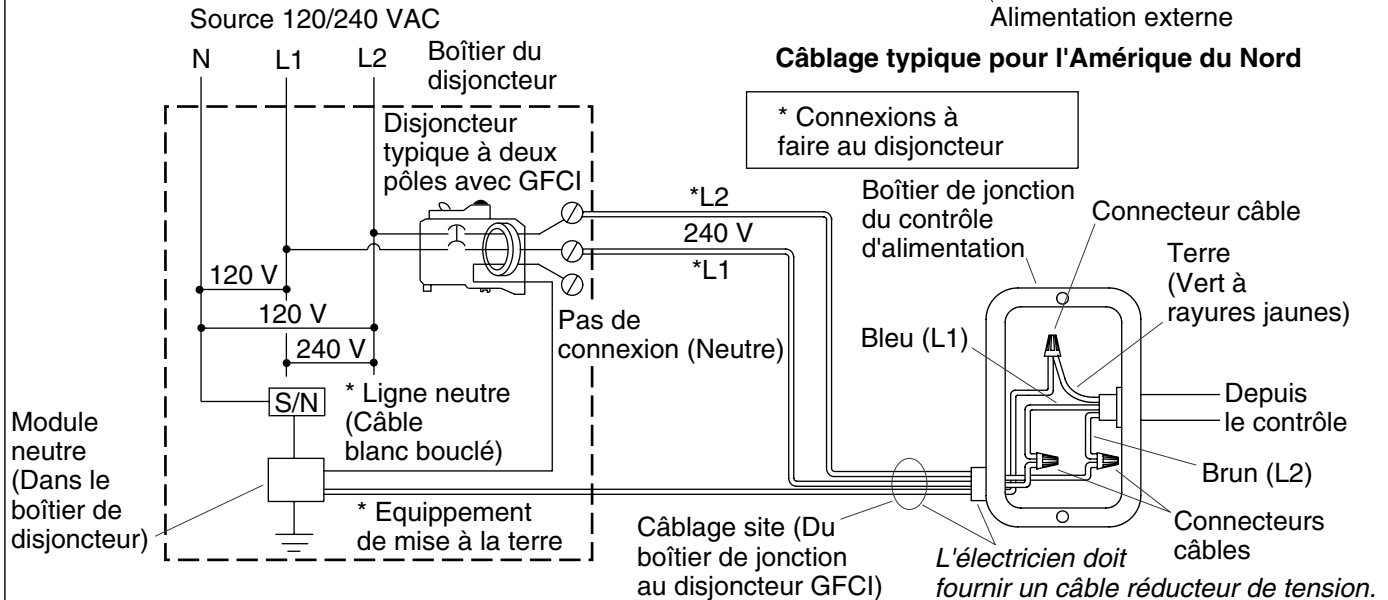
**REMARQUE:** Prévoir un accès à toutes les connexions de la plomberie pour faciliter tout entretien futur.

- Installer les valves du robinet conformément aux instructions du fabricant. Ne pas installer la garniture du robinet avant l'instruction de le faire. Ouvrir les alimentations d'eau chaude et froide et vérifier qu'il n'y ait pas de fuites.
- Laisser couler l'eau dans la baignoire et vérifier s'il y a des fuites dans les raccords du drain.

Raccorder selon les codes nationaux et locaux.  
Des cosse d'ouverture sont localisées  
au-dessus du boîtier de jonction.



### Câblage typique pour l'Amérique du Nord



## 5. Connecter le service électrique - Standard

**REMARQUE:** Le numéro de modèle du produit est imprimé sur une étiquette placée du côté de la pompe de la baignoire à hydromassage. Cette étiquette identifie aussi les caractéristiques électriques du produit. Toutes les baignoires sont équipées d'un boîtier de jonction de câblage et sont conçues pour fonctionner entre 220 V c.a. et 240 V c.a. soit à 50 Hz ou à 60 Hz.



**AVERTISSEMENT: Risque d'électrocution.** S'assurer que l'alimentation ait été débranchée avant d'effectuer les procédures suivantes. Se référer à la section "Information importante."



**AVERTISSEMENT: Risque d'électrocution.** Afin de réduire les risques de choc électrique, connecter la pompe à une prise de terre, protégée par un Disjoncteur de Fuite de Terre (GFCI) ou un appareil de courant résiduel (RCD). Ceci fournira une mesure de protection additionnelle contre le risque d'électrocution. Un circuit dédié de 220-240 V, 15 A, 50/60Hz est nécessaire.

**AVIS:** Les lavabos **charge neutre** n'est pas utilisée. Il ne devrait pas y avoir de connexion au terminal de **charge neutre** du disjoncteur de fuite de terre de classe (GFCI) ou de l'appareil de courant résiduel (RCD) déclenché. Le câble vert à rayure jaune est le **le conducteur de terre** et doit être connecté au module neutre du boîtier du disjoncteur principal.

**AVIS:** Les contrôles et système de la baignoire à hydromassage ont été pré-câblés en usine. Un électricien agréé devrait faire la connexion de routine à la boîte de jonction.

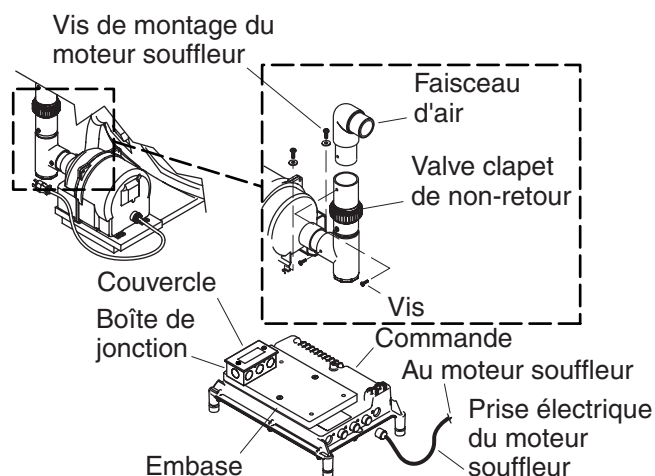
- Connecter le service au boîtier de jonction de contrôle. La boîte de jonction contient des câbles bleus, marrons et verts à rayures. Suivre tous les codes électriques locaux. Raccorder selon les codes nationaux et locaux.

**REMARQUE:** Un harnais de câblage a été pré-câblé en usine. Aucun câblage supplémentaire n'est nécessaire, mais s'assurer que tous les câbles soient bien sécurisés.



**Connecter le service électrique - Standard (cont.)**

**REMARQUE:** Votre câblage électrique comprend une antenne pour la télécommande optionnelle. Ne pas modifier ni endommager cette antenne pendant l'installation.



## 6. Retirer le moteur-souffleur et la valve clapet de non retour - À distance

**AVIS:** Cette section s'applique uniquement aux installations dans lesquelles le moteur-souffleur et la valve clapet de non-retour sont relocalisées de la position de livraison initiale sur la plaque de support.

**AVIS:** Ne pas couper le câblage du souffleur pour cette installation.

**AVIS:** Le clapet de non-retour doit être déplacé avec le moteur-souffleur.

### Retirer le moteur-souffleur

- Déconnecter la prise de courant du moteur-souffleur du contrôle.
- Retirer tout serre-câble qui supporte le cordon électrique du moteur-souffleur.
- Retirer et conserver la vis de retenue qui maintient le faisceau du souffleur sur la sortie du moteur-souffleur.
- Retirer et conserver les quatre vis de fixation du moteur de la plinthe de l'adaptateur du souffleur.
- Tout en retenant le T d'une main, glisser le moteur-souffleur à l'écart du T.
- Retirer le moteur-souffleur de la baignoire.

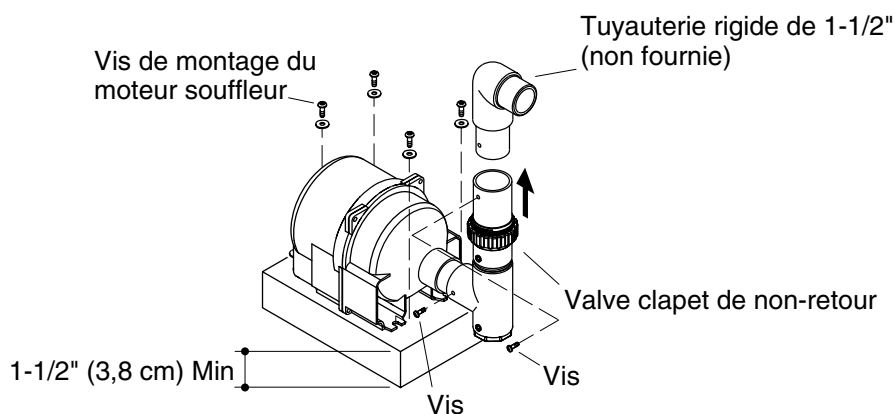
### Retirer la valve clapet de non-retour

- Retirer et conserver la vis supérieure à la valve clapet de non-retour.
- Retirer la valve clapet de non-retour et attacher un coude PVC à partir de la baignoire.

### Préparer le site

**REMARQUE:** Se référer à la section "Avant de commencer" pour les exigences détaillées de relocalisation du moteur-souffleur.

- Préparer le site d'installation du moteur-souffleur. Le site doit être à 15' (4.5 m) de la baignoire.
- Installer un panneau d'accès pour la maintenance du moteur-souffleur, si nécessaire.
- Aussi approprié que possible pour l'installation, préparer des guides de routage pour la tuyauterie PVC et le nouveau câble du moteur-souffleur. Suivre tous les codes applicables.



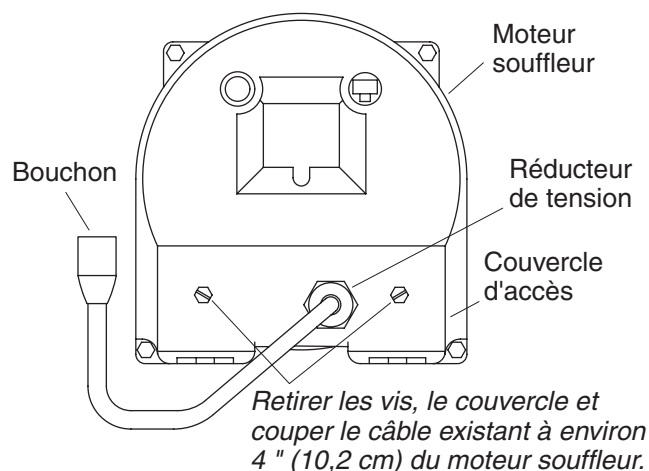
## 7. Monter le moteur-souffleur et la valve clapet de non retour - A distance

**REMARQUE:** Le moteur-souffleur doit être monté horizontalement au moins à 2" (5,1 cm) au-dessus du sol. Ne pas monter le moteur-souffleur avec sa décharge pointée vers le haut.

**REMARQUE:** La valve clapet doit être relocalisée avec le moteur-souffleur. Au nouvel emplacement, la valve clapet ne doit pas être plus basse que 24" (61 cm) au-dessus du rebord de la baignoire. La valve clapet doit être à une proximité de 12" (30,5 cm) du moteur-souffleur. La valve clapet de non-retour doit être orientée avec la flèche de débit pointant vers le haut.

**REMARQUE:** Se référer à la section "Avant de commencer" pour autres exigences détaillées de relocalisation du moteur-souffleur.

- Au nouvel emplacement du souffleur, installer un bloc d'une hauteur minimum de 1-1/2" (3,8 cm) (non-fourni) pour le support du moteur-souffleur.
- Utiliser le moteur-souffleur comme gabarit afin de marquer l'emplacement des quatre boulons de montage ou vis.
- Percer quatre trous-pilotes de 1/8" (3 mm) pour les vis de montage du moteur-souffleur.
- Installer et supporter le PVC ou autre tuyau rigide de 1-1/2" (non fourni) entre l'emplacement du moteur-souffleur et le harnais d'air de la baignoire.
- Connecter la nouvelle tuyauterie au harnais d'air existant sans modifier ce dernier. Aligner le nouveau tuyau et sécuriser la connexion avec du ciment PVC. **Laisser prendre le ciment PVC selon les instructions du fabricant.**
- Connecter l'ensemble de valve clapet de non-retour à la nouvelle tuyauterie. Aligner le nouveau tuyau avec l'ensemble de valve clapet de non-retour et percer un trou pour la vis existante de montage. Utiliser un mastic à la silicone ou équivalent à la connexion et ré-utiliser la vis préalablement retirée. Laisser prendre le mastic selon les recommandations du fabricant.
- Appliquer du mastic à la silicone ou équivalent à la connexion la plus basse de la valve clapet de non-retour.
- Aligner le moteur-souffleur avec la connexion la plus basse de la valve clapet de non-retour. Positionner le moteur sur le bloc de support. Réinstaller la vis de retenue. Laisser prendre le mastic selon les recommandations du fabricant.
- Serrer le moteur-souffleur au nouveau bloc de support avec les vis de fixation restantes.



## 8. Raccorder le câble d'alimentation du souffleur - À distance

### Acheminer le câble d'alimentation

- Acheminer deux conducteurs 18 AWG ou équivalent (non fourni) entre la baignoire et le moteur-souffleur. Suivre tous les codes applicables électriques et d'incendie. S'assurer que l'enveloppe du câble soit conforme aux codes applicables et que le câble soit proprement supporté et protégé.

### Préparer le souffleur pour une installation à distance

- Desserrer le réducteur de tension de câble sur le moteur-souffleur. Pousser l'écrou sur le câble afin de fournir un espace pour le démontage du couvercle.
- Retirer les deux vis du couvercle d'accès de l'arrière du moteur-souffleur. Tout en desserrant les vis, vérifier périodiquement si le couvercle peut être remis sur le câble électrique.
- Lorsque le couvercle est desserré, utiliser des pinces d'électricien ou équivalent pour couper le câble électrique à peu près à 4" (10,2 cm) de l'endroit où ce dernier disparaît dans le logement du moteur-souffleur.
- Tirer l'extrémité libre du cordon électrique à travers le couvercle, insertion, et écrou de réduction de tension.
- Jeter l'écrou de réduction de tension existant et l'insertion.
- Reconnecter la prise du moteur-souffleur au contrôle.
- Installer un réducteur de tension standard fileté NPT au couvercle du moteur-souffleur.
- Entreposer temporairement les composants retirés dans un lieu sûr.

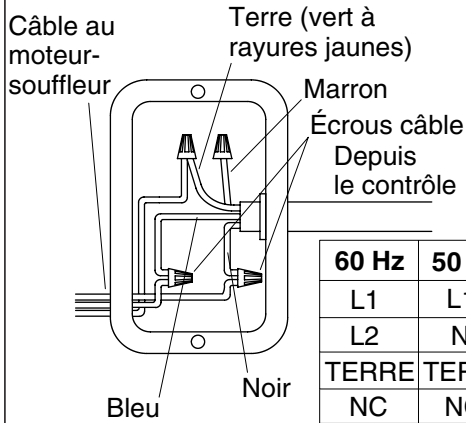
### Connecter le nouveau câble d'alimentation au moteur-souffleur

- Au plomb en queue de cochon du moteur-souffleur de 4" (10,2 cm), dénuder le câble d'environ 3" (7,6 cm).
- Au nouveau câble d'alimentation du moteur-souffleur installé, dénuder la gaine du câble d'environ 2" (5,1 cm).
- Pour des installations aux États-Unis, marquer tout conducteur blanc avec du ruban rouge ou noir tel que requis par la norme NEC.
- Dénuder l'isolation du câble d'environ 3/8" (1 cm) des plombs en queue de cochon du moteur-souffleur et de ceux du câble d'alimentation.
- Acheminer les nouveaux câbles d'alimentation à travers le couvercle d'accès du moteur-souffleur et du réducteur de tension.

### **Raccorder le câble d'alimentation du souffleur - À distance (cont.)**

- En utilisant les écrous de câble ou autres méthodes de terminaison approuvées, terminer les conducteurs selon la façon suivante:
  - Connecter le plomb en queue de cochon noir au conducteur L1 du câble d'alimentation.
  - Connecter le plomb en queue de cochon bleu au conducteur L2 du câble d'alimentation.
  - Connecter le plomb en queue de cochon vert à rayures jaunes au conducteur de mise à la terre du câble d'alimentation.
- Avec les deux vis, ré-installer le couvercle d'accès sur le moteur-souffleur.
- Serrer le réducteur de tension du câble d'alimentation au moteur-souffleur.
- Retirer toute poussière ou tous débris de l'emplacement du moteur-souffleur.

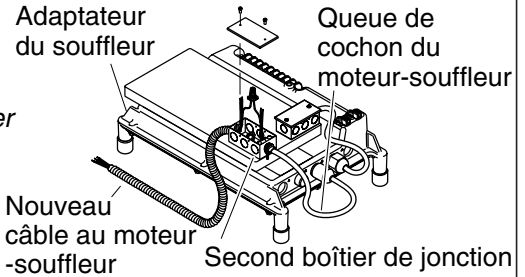
## Second boîtier de jonction



60 Hz	50 Hz	Depuis le contrôle
L1	L1	Bleu
L2	N	Noir
TERRE	TERRE	Vert avec rayures jaunes
NC	NC	Marron

## Boîtier de jonction du contrôle d'alimentation

Dénuder la gaine du câble d'environ 3" (7,6 cm) du câble et de la queue de cochon du moteur-souffleur. Puis couper le quatrième conducteur brun non-utilisé à l'extrémité de la gaine du câble.



Passer l'extrémité du cordon au nouveau boîtier de jonction. Ajouter un réducteur de tension.

Installer le boîtier de jonction avec le couvercle et cosse (non fournie).

## 9. Installer le cordon d'alimentation au souffleur - À distance

### Installer le second boîtier de jonction au contrôle

- Installer un second boîtier de jonction avec une cosse externe, deux réducteurs de tension, et un couvercle (non fourni) sur la plaque d'adaptation du moteur-souffleur sur le contrôle.
- Connecter le fil solide en cuivre d'un calibre 8 de la cosse du nouveau boîtier de jonction à la cosse restante du contrôle. Suivre tous les codes électriques locaux.

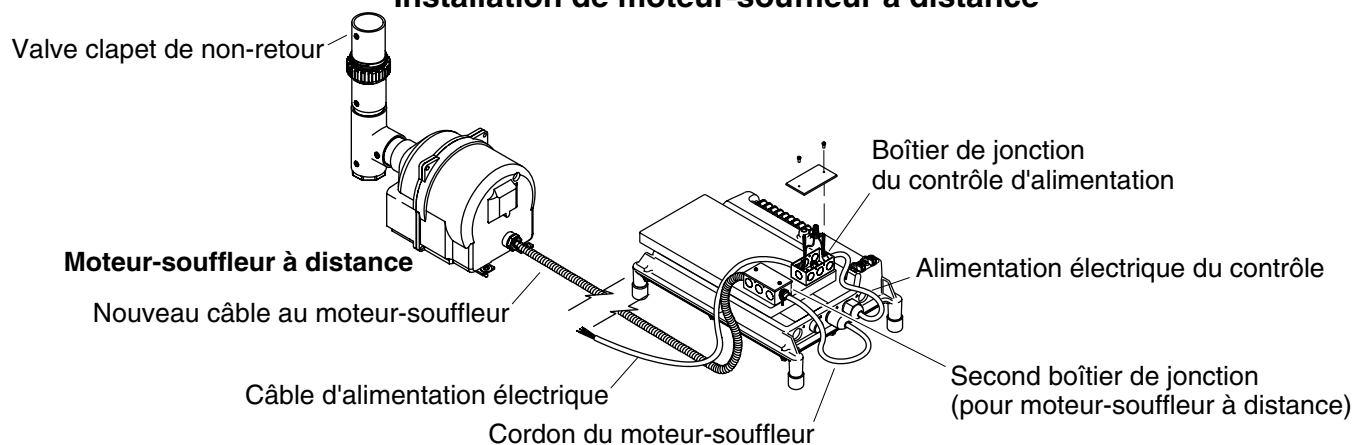
### Reconnecter le cordon d'alimentation du moteur-souffleur

- Si requis, reconnecter le cordon d'alimentation du moteur-souffleur au contrôle.
- Acheminer le cordon d'alimentation à travers un réducteur de tension du second boîtier de jonction. Serrer le réducteur de tension.
- A l'extrémité du cordon d'alimentation sectionné, dénuder la gaine du câble d'environ 3" (7,6 cm).
- À l'aide d'un capuchon de connexion, terminer le conducteur brun inutilisé dans la gaine du câble.
- Dénuder l'isolant du câble d'environ 3/8" (1 cm) des fils restant situés sur la commande.

### Reconnecter le nouveau câble d'alimentation du souffleur

- Acheminer le nouveau cordon d'alimentation du souffleur à travers l'autre réducteur de tension du second boîtier de jonction. Serrer le réducteur de tension.
- Dénuder la gaine du câble d'environ 3" (7,6 cm).
- Pour des installations aux États-Unis, marquer tout conducteur blanc avec du ruban rouge ou noir tel que requis par la norme NEC.
- Dénuder les extrémités de câbles d'environ 3/8" (1 cm).
- Utiliser des dispositifs approuvés pour terminer les conducteurs comme ce qui suit:
  - Connecter le plomb en queue de cochon noir au conducteur L1 du câble d'alimentation.
  - Connecter le plomb en queue de cochon bleu au conducteur L2 du câble d'alimentation.
  - Connecter le plomb en queue de cochon vert à rayures jaunes au conducteur de mise à la terre du câble d'alimentation.
  - Le câble brun n'est pas utilisé et doit être terminé avec un capuchon.
- Installer le couvercle du nouveau boîtier de jonction.

## Installation de moteur-souffleur à distance



## 10. Effectuer les connexions électriques - À distance



**AVERTISSEMENT: Risque d'électrocution.** Afin de réduire les risques de choc électrique, connecter le contrôle à une prise de terre, protégée par un Disjoncteur de Fuite de Terre (GFCI) ou un appareil de courant résiduel (RCD). Ceci fournira une mesure de protection additionnelle contre le risque d'électrocution. Un circuit dédié de 220-240 V, 15 A, 50/60Hz est nécessaire.

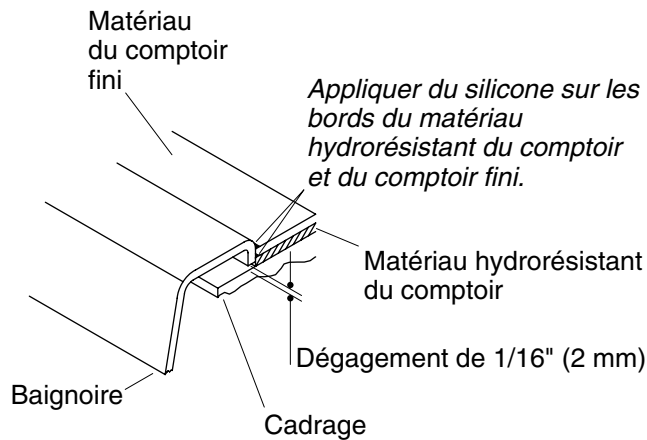


**AVERTISSEMENT: Risque d'électrocution.** S'assurer que l'alimentation ait été débranchée avant d'effectuer les procédures suivantes.

**REMARQUE:** Le numéro de modèle et les caractéristiques électriques de la baignoire sont imprimées sur une étiquette près du moteur-souffleur.

- S'assurer que le cordon d'alimentation du contrôle est proprement acheminé au boîtier de jonction du contrôle. Le cordon d'alimentation de la commande comprend un fil brun (Ligne 1), un fil bleu (Ligne 2), et un fil vert à rayures jaunes (masse ou terre).
- Installer un réducteur de tension (non-fourni) pour le câble d'alimentation au boîtier de jonction du contrôle.
- Acheminer le câble d'alimentation au boîtier de jonction du contrôle.
- Tel que requis, dénuder la gaine et l'isolation des deux câbles pour effectuer les connexions.
- Pour des installations aux États-Unis, marquer tout conducteur blanc avec du ruban rouge ou noir tel que requis par la norme NEC.
- Connecter le service au boîtier de jonction de contrôle.
- Fournir un équipement conducteur à la terre séparé pour la borne restante de la terre à l'intérieur du boîtier de jonction de contrôle d'alimentation. Ce conducteur **ne doit pas** être connecté à un fil conducteur. Suivre tous les codes électriques locaux.
- Raccorder selon les codes nationaux et locaux.
- Nettoyer la surface de toute poussière et tous débris.
- Tous les harnais de câblage ont été préalablement précâblés en usine. S'assurer que tous les câbles sont bien serrés.

**REMARQUE:** Votre câblage électrique comprend une antenne pour la télécommande optionnelle. Ne pas modifier ni endommager cette antenne pendant l'installation.



## 11. Terminer l'installation

### Pour des installations encastrées

- Si cela n'a pas déjà été fait, retirer soigneusement la pellicule de protection du rebord de la baignoire.
- Recouvrir le cadre avec du matériau hydro-résistant. Sceller les joints entre le rebord de la baignoire et le matériau hydro-résistant du mur à l'aide de mastic à la silicone.
- Installer la garniture du robinet suivant les instructions emballées avec celle-ci.

### Pour les installations sur podium

- Si cela n'a pas déjà été fait, retirer soigneusement la pellicule de protection du rebord de la baignoire.
- Appliquer du mortier et carrelage à n'importe quel mur, comptoir, et matériau avoisinant selon le besoin.
- Appliquer un joint d'étanchéité à l'endroit où les carreaux rencontrent la surface de la baignoire.
- Installer la garniture du robinet suivant les instructions emballées avec celle-ci.

### Pour toutes les installations

- Nettoyer l'espace autour du moteur-souffleur propre et exempt de débris.
- Nettoyer la surface de la baignoire avec un détergent liquide et de l'eau chaude. **Ne pas utiliser des nettoyeurs abrasifs**, car ils pourraient rayer et abîmer la surface de la baignoire. **N'utiliser d'agents nettoyeurs en poudre que si ceux-ci sont complètement dilués.** Des substances solides pourraient obstruer les jets d'air. **Ne pas utiliser de produits javélisants ou à base d'ammoniaque.** Les solutions de nettoyage à agents chimiques actifs peuvent endommager la surface de la baignoire. Se référer au guide du propriétaire pour les recommandations de nettoyage normal.

## 12. Tester le fonctionnement de la baignoire

**REMARQUE:** Si la baignoire ne fonctionne pas correctement, consulter la section "Dépannage" de ce guide avant d'appeler un représentant technique qualifié.

**REMARQUE:** Pour plus d'informations sur le fonctionnement de la baignoire, consulter la section "Fonctionnement du clavier".

### Vérifications préliminaires

- Retirer temporairement tous les panneaux d'accès.
- S'assurer que l'espace autour du souffleur est exempt de sciure, de matériau isolant, de saleté ou d'autres petits débris volatiles.



### **Tester le fonctionnement de la baignoire (cont.)**

- Vérifier que le raccord au niveau du clapet anti-retour est bien serré à la main.
- Vérifier que les tuyaux entre le souffleur et les vannes papillon sont connectés et soutenus de manière adéquate.
- Vérifier que les tuyaux entre le clapet anti-retour et les vannes papillon sont connectés et soutenus de manière adéquate.
- S'assurer que les serre-câbles ou autres clips soutiennent le faisceau d'alimentation en air et les faisceaux électriques au niveau de la baignoire.
- S'assurer que tous connecteurs électriques non utilisés sont soutenus au-dessus du plancher.
- Vérifier toutes les connexions électriques. Vérifier que l'alimentation électrique de la baignoire est sous tension.
- S'assurer que tous les raccords de tuyauterie en PVC sont bien serrés.

### **Confirmer le fonctionnement du souffleur**

- Retirer la toile de protection de la baignoire.
- Remplir la baignoire à un niveau dépassant de 2" (5,1 cm) au moins le haut du jet d'air le plus élevé.
- Appuyer sur le bouton d'alimentation électrique sur le clavier utilisateur.
- S'assurer que les icônes du clavier utilisateur s'allument. L'icône du mode débit d'air et celle du cycle de chromathérapie (si fournie) s'allument en vert. Les icônes Zone 1, Zone 2 et Zone 3 s'allument également en vert car les trois zones sont activées.
- S'assurer que le moteur du souffleur démarre à vitesse moyenne.
- Si elles sont fournies, vérifier que les quatre lampes de chromathérapie sont allumées. Le cycle des couleurs peut ne pas être apparent immédiatement car la durée du cycle pourrait être relativement longue.

**REMARQUE:** Le mode de cycle de purge ne peut pas être sélectionné lorsqu'il y a de l'eau dans la baignoire.

- Faire tourner la bague extérieure pour la faire passer par toutes les positions d'icône disponibles.
- Vérifier que tous les icônes commencent à clignoter en vert lors de leur sélection pour activer chaque mode. Si le mode ne fonctionne pas, l'icône clignotera en bleu.
- Les icônes s'arrêtent de clignoter lorsqu'elles sont désélectionnées.
- Sélectionner et activer l'icône du mode du débit d'air.
- Appuyer sur le bouton vers le haut ou vers le bas pour vérifier que le débit d'air augmente ou diminue.
- Arrêter le souffleur.
- S'assurer de l'absence de fuites d'eau au niveau de la baignoire, du drain de la baignoire et du faisceau d'alimentation en air.

### **Confirmer la commande de zone individuelle**

- Sélectionner et désactiver la Zone 1.
- Vérifier que le débit d'air s'arrête dans la zone correspondante.
- Activer la Zone 1.
- Répéter pour les Zones 2 et 3.
- S'assurer de l'absence de fuites au niveau des raccords en PVC.

### **Confirmer le fonctionnement du mode de surpression**

## Tester le fonctionnement de la baignoire (cont.)

**REMARQUE:** Le mode de surpression fait passer la vitesse du moteur du souffleur entre les réglages minimum et maximum, comme l'indique la barre du clavier utilisateur. Six cycles sont disponibles allant de 10 secondes à environ 1 minute. Dans ce mode, la durée du cycle peut être contrôlée avec le bouton vers le haut ou vers le bas du clavier utilisateur. Le mode de surpression fonctionne avec une ou toutes les zones sélectionnées.

- Sélectionner et activer le mode de surpression.
- Vérifier que le débit d'air effectue un cycle entre les valeurs minimum et maximum.
- Augmenter ou diminuer le régime du cycle de surpression en appuyant sur le bouton vers le haut et vers le bas.
- Appuyer sur le bouton d'alimentation électrique sur le clavier utilisateur.

## Faire fonctionner le cycle de chromathérapie (si le dispositif en est équipé)

- Faire tourner la bague extérieure pour choisir l'icône de chromathérapie, puis appuyer sur "OK". Les lampes de chromathérapie vont continuellement et automatiquement alterner entre les huit couleurs, blanc, violet, bleu indigo, aigue-marine, vert, jaune, orange et rouge. Un cycle des huit couleurs dure à peu près une minute.
- Appuyer sur "OK" lorsque le mode de chromathérapie est activé pour éteindre les lampes de chromathérapie.
- Faire tourner la bague extérieure sur l'icône de la couleur de chromathérapie spécifique, puis appuyer sur "OK". Utiliser les flèches vers le haut ou vers le bas pour aller vers la couleur souhaitée.
- Appuyer de nouveau sur "OK" pour éteindre les lampes de chromathérapie.

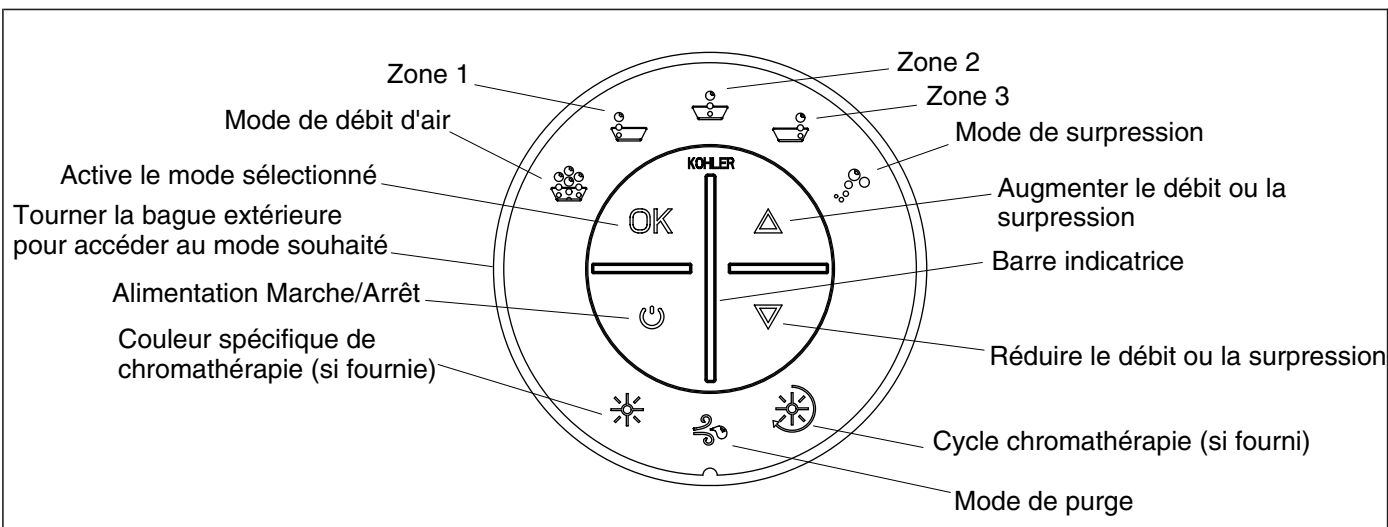
## Faire fonctionner le cycle de purge automatique

**REMARQUE:** Le cycle de purge automatique se déclenche lorsque la baignoire a été vidée. Il fonctionne à vitesse lente pendant environ 2 minutes pour retirer toute eau résiduelle des conduits d'air.

- Si nécessaire, remplir la baignoire à un niveau dépassant de 2" (5,1 cm) le haut du jet d'air le plus élevé.
- Vider la baignoire.
- Lorsque le niveau d'eau descend au-dessous des sondes du capteur de niveau, vérifier que le souffleur démarre à basse vitesse.
- Au bout de deux minutes environ, vérifier que le moteur du souffleur s'arrête.

## Faire fonctionner le cycle de purge manuelle

- Avec la baignoire vidée, faire tourner la bague extérieure sur l'icône du cycle de purge.
- Appuyer sur l'icône "OK".
- Vérifier que le souffleur démarre dans le cycle de purge. De l'eau résiduelle est soufflée hors des conduits d'air.
- Lorsque le souffleur a fonctionné pendant 2 minutes environ, vérifier qu'il s'arrête.
- Poser la toile de protection par-dessus la baignoire.
- Couper l'alimentation électrique de la baignoire.



### 13. Faire fonctionner le clavier

Les modes/fonctions disponibles sont allumés en bleu. Les modes activés sont allumés en vert.

<b>Alimentation Marche/Arrêt</b>	Met en marche le moteur du souffleur en marche et l'arrête.
<b>Bague extérieure</b>	Faire tourner la bague extérieure pour accéder au mode souhaité. Le mode sélectionné clignote en bleu.
<b>OK</b>	Active le mode souhaité. Le mode activé clignote en vert.
<b>Mode de débit d'air</b>	Le débit d'air est dirigé dans toutes les combinaisons de jets d'air dans les zones sélectionnées. Régler le débit d'air avec les boutons à flèche. Lorsque le mode de surpression est sélectionné, le mode de débit d'air s'arrête. Lorsque le mode de débit d'air est sélectionné alors que le dispositif fonctionne en mode de surpression, le mode de surpression s'arrête.
<b>Zone 1</b>	Sélectionne ou désélectionne le débit d'air à travers la Zone 1.
<b>Zone 2</b>	Sélectionne ou désélectionne le débit d'air à travers la Zone 2.
<b>Zone 3</b>	Sélectionne ou désélectionne le débit d'air à travers la Zone 3.
<b>Mode de surpression</b>	Lorsqu'il est activé, le débit d'air monte du minimum au maximum puis redescend à nouveau au minimum. Régler le régime de surpression entre 10 et 60 secondes en utilisant les boutons vers le haut ou le bas. Sélectionner ou désélectionner les zones lorsque le dispositif est en mode de surpression.
<b>Flèche vers le haut</b>	Augmente le débit d'air lorsque le mode de débit d'air est activé. Augmente la vitesse de pulsation lorsque le mode de surpression est activé.
<b>Barre indicatrice</b>	Indique le volume du débit d'air lors du fonctionnement en mode de débit d'air. Indique le régime de surpression lorsque le dispositif est en mode de surpression.
<b>Flèche vers le bas</b>	Réduit le débit d'air lorsque le mode de débit d'air est activé. Réduit la vitesse de pulsation quand le mode de surpression est activé.
<b>Mode de purge</b>	Sélectionner pour lancer le mode purge manuellement. Le cycle de purge ne démarre pas si de l'eau est présente dans la baignoire. Le mode de purge évacue toute eau résiduelle des conduits d'air. Le moteur du souffleur démarre et fonctionne à basse vitesse pendant deux minutes environ. Un cycle de purge automatique a lieu lorsque la baignoire est vidée et que le niveau d'eau descend au-dessous du niveau des capteurs de niveau.
<b>Mode Veille</b>	Pour améliorer votre expérience de bain, le clavier est programmé pour s'éteindre au bout de 15 secondes environ d'inactivation. Seule la dernière option sélectionnée restera allumée. Pour retourner au fonctionnement normal, appuyer sur une touche ou faire tourner la bague extérieure. Une minute environ après que tout l'équipement ait été arrêté, le clavier s'assombrit entièrement pour conserver de l'énergie. Appuyer sur le bouton d'alimentation ou faire tourner la bague extérieure pour réactiver le clavier.
<b>Cycle de chromathérapie</b>	Faire tourner la bague extérieure pour choisir ce mode, puis appuyer sur OK. Les lampes de chromathérapie effectuent un cycle automatique et continu des huit couleurs. Un cycle passant par les huit couleurs dure à peu près une minute. Seulement l'un des deux claviers commande ce mode.

## Faire fonctionner le clavier (cont.)

### Couleur spécifique de chromathérapie

Faire tourner la bague extérieure pour sélectionner ce mode. Appuyer sur OK, puis appuyer sur la flèche vers le haut ou vers le bas pour sélectionner une couleur, et appuyer de nouveau sur OK. Seulement l'un des deux claviers commande ce mode.

## Dépannage

**AVIS:** Cette section est seulement destinée à une aide générale. Seul un agent agréé de KOHLER ou un électricien qualifié doit remédier aux problèmes électriques. Pour une réparation sous garantie, s'adresser au concessionnaire ou au distributeur en gros.

Symptômes	Causes probables	Action recommandée
1. Le clavier ne s'illumine pas lorsque l'on appuie sur le bouton d'alimentation ou lorsque l'on fait tourner la bague extérieure.	A. Pas d'alimentation à la commande.	A. Vérifier le câblage et connecter l'alimentation électrique.
	B. Disjoncteur de fuite de terre (GFCI) ou appareil de courant résiduel (RCD) déclenché.	B. Réinitialiser le GFCI ou le RCD. Si ceci se reproduit, se reporter à la section "Le disjoncteur de fuite de terre (GFCI) ou l'appareil de courant résiduel (RCD) se déclenche lorsque la baignoire à jets d'air est en marche".
	C. Le faisceau de câblage du clavier utilisateur à la commande est desserré, débranché ou endommagé.	C. Inspecter le câblage et vérifier que les connexions sont adéquates. Remplacer le faisceau de câblage le cas échéant.
	D. Le clavier utilisateur ne fonctionne pas.	D. Remplacer le clavier utilisateur.
	E. La commande ne fonctionne pas.	E. Remplacer la commande.
2. Le disjoncteur de fuite de terre (GFCI) ou l'appareil de courant résiduel (RCD) se déclenche lorsque la baignoire à jets d'air est en marche.	A. Le faisceau électrique est humide ou endommagé.	A. Rechercher des connexions humides. Sécher les connexions et réparer la fuite. Rechercher des dommages de matériau isolant ou de connecteurs. Remplacer le faisceau s'il est endommagé.
	B. Le câblage électrique au boîtier de jonction de la baignoire est humide ou endommagé.	B. Demander à un électricien qualifié de diagnostiquer et de réparer le dispositif conformément aux codes du bâtiment et d'électricité en vigueur.
	C. Le câblage électrique au cordon d'alimentation de la baignoire est humide ou endommagé.	C. Demander à un électricien qualifié de diagnostiquer et de réparer le dispositif conformément aux codes du bâtiment et d'électricité en vigueur.
	D. Le moteur du souffleur est court-circuité au niveau interne.	D. Remplacer le moteur du souffleur.
	E. La commande est court-circuitée au niveau interne.	E. Remplacer la commande.
3. Le clavier est illuminé, mais il ne répond pas aux boutons ou à la bague extérieure.	A. Le programme de commande est verrouillé.	A. Réinitialiser le GFCI ou le RCD.
	B. Le faisceau de l'ensemble de fiches P5 du clavier utilisateur est desserré, déconnecté ou endommagé.	B. Inspecter le câblage et vérifier que les connexions sont adéquates. Remplacer le faisceau de câblage le cas échéant.
	C. Le clavier utilisateur ne fonctionne pas.	C. Remplacer le clavier utilisateur.

<b>Dépannage (cont.)</b>		
<b>Symptômes</b>	<b>Causes probables</b>	<b>Action recommandée</b>
	<b>D.</b> La commande ne fonctionne pas.	<b>D.</b> Remplacer la commande.
4. Le moteur du souffleur ne démarre pas.	<b>A.</b> Le cordon d'alimentation entre le moteur du souffleur et la commande est desserré, déconnecté ou endommagé.	<b>A.</b> Inspecter le câblage et vérifier que les connexions sont adéquates.
	<b>B.</b> Le moteur du souffleur ne fonctionne pas.	<b>B.</b> Remplacer le moteur du souffleur.
	<b>C.</b> La commande ne fonctionne pas.	<b>C.</b> Remplacer la commande.
5. Le moteur du souffleur s'arrête et ne redémarre pas immédiatement. Le clavier est illuminé.	<b>A.</b> Le moteur du souffleur a surchauffé et le dispositif de protection est activé.	<b>A.</b> Rechercher une obstruction au niveau des événements du moteur. Éliminer l'obstruction et laisser le moteur se refroidir. Consulter le concessionnaire ou le distributeur en gros. Sinon, se reporter à la section "Le clavier utilisateur est illuminé, mais il ne répond pas aux commandes ou à la bague extérieure. Le moteur du souffleur ne démarre pas".
6. Le moteur du souffleur démarre, mais certains jets d'airs n'émettent pas de bulles.	<b>A.</b> Le régime du moteur du souffleur est trop bas.	<b>A.</b> Augmenter le régime réglé du moteur du souffleur.
	<b>B.</b> L'orifice d'admission du moteur du souffleur est obstrué.	<b>B.</b> Nettoyer l'orifice d'admission du moteur du souffleur.
	<b>C.</b> Le moteur du souffleur ne fonctionne pas.	<b>C.</b> Remplacer le moteur du souffleur.
	<b>D.</b> L'orifice de sortie du moteur du souffleur est obstrué.	<b>D.</b> Rechercher une obstruction.
	<b>E.</b> Le clapet anti-retour ne fonctionne pas.	<b>E.</b> Remplacer le clapet anti-retour.
	<b>F.</b> Les jets d'air sont bouchés.	<b>F.</b> Utiliser une petite brosse de nettoyage entre les dents et du vinaigre blanc. Tremper la brosse dans le vinaigre, brosser l'orifice, rincer à l'eau claire, puis utiliser la brosse humide rincée pour rincer l'orifice.
	<b>G.</b> Certaines zones sont fermées.	<b>G.</b> Faire fonctionner toutes les zones.
7. Le moteur du souffleur fonctionne mais aucune bulle d'air ne se forme.	<b>A.</b> L'orifice d'admission du moteur du souffleur est obstrué.	<b>A.</b> Nettoyer l'orifice d'admission du moteur du souffleur.
	<b>B.</b> Les jets d'air sont bouchés.	<b>B.</b> Utiliser une petite brosse de nettoyage entre les dents et du vinaigre blanc. Tremper la brosse dans le vinaigre, brosser l'orifice, rincer à l'eau claire, puis utiliser la brosse humide rincée pour rincer l'orifice.
	<b>C.</b> Le clapet anti-retour ne fonctionne pas.	<b>C.</b> Remplacer le clapet anti-retour.
	<b>D.</b> Le moteur du souffleur ne fonctionne pas.	<b>D.</b> Remplacer le moteur du souffleur.
	<b>E.</b> La commande ne fonctionne pas.	<b>E.</b> Remplacer la commande.

<b>Dépannage (cont.)</b>		
<b>Symptômes</b>	<b>Causes probables</b>	<b>Action recommandée</b>
8. Le moteur du souffleur fonctionne, des bulles d'air se forment, les commandes de zones fonctionnent, mais la commande de vitesse variable ne fonctionne pas.	A. L'orifice d'admission du moteur du souffleur est obstrué.	A. Nettoyer l'orifice d'admission du moteur du souffleur.
	B. Faisceau de câblage desserré, déconnecté ou endommagé.	B. Inspecter le câblage et vérifier que les connexions sont adéquates. Remplacer le faisceau de câblage le cas échéant.
	C. Le clavier utilisateur ne fonctionne pas.	C. Remplacer le clavier utilisateur.
	D. Le moteur du souffleur ne fonctionne pas.	D. Remplacer le moteur du souffleur.
	E. La commande ne fonctionne pas.	E. Remplacer la commande.
9. Le moteur du souffleur ne s'arrête pas lorsque l'on appuie sur le bouton d'alimentation du clavier utilisateur.	A. Le clavier utilisateur ne fonctionne pas.	A. Remplacer le clavier utilisateur.
	B. Faisceau de câblage desserré, déconnecté ou endommagé.	B. Inspecter le câblage et vérifier que les connexions sont adéquates. Remplacer le faisceau de câblage le cas échéant.
	C. La commande ne fonctionne pas.	C. Remplacer la commande.
10. Une zone ne produit pas de bulles d'air mais une autre fonctionne normalement.	A. La zone n'est pas sélectionnée.	A. Sélectionner la zone selon les instructions de la section "Confirmer le bon fonctionnement".
	B. La valve papillon ne fonctionne pas.	B. Remplacer la valve papillon.
	C. Faisceau de câblage desserré, déconnecté ou endommagé.	C. Inspecter le câblage et vérifier que les connexions sont adéquates. Remplacer le faisceau de câblage le cas échéant.
	D. Le clavier utilisateur ne fonctionne pas.	D. Remplacer le clavier utilisateur.
	E. La commande ne fonctionne pas.	E. Remplacer la commande.
11. Le mode de surpression ne fonctionne pas.	A. Le clavier utilisateur ne fonctionne pas.	A. Remplacer le clavier utilisateur.
	B. La commande ne fonctionne pas.	B. Remplacer la commande.
12. Déversement d'eau ou endommagement constaté sous la baignoire.	A. Fuite du drain ou du trop-plein.	A. Réparer ou remplacer l'ensemble du drain selon les instructions du fabricant.
	B. Le mur, le comptoir et/ou la porte de douche ne sont pas entièrement étanches.	B. Appliquer du mastic à la silicone au niveau des joints entre la baignoire et le mur, le comptoir, ou la porte.
	C. Conduits d'air en acrylique fissurés.	C. Consulter le fabricant.
13. La baignoire ne se vide pas automatiquement.	A. Les câbles du capteur de niveau sont déconnectés.	A. Connecter les câbles du capteur de niveau.
<b>Chromathérapie (si le dispositif en est équipé)</b>		

**Dépannage (cont.)**

<b>Symptômes</b>	<b>Causes probables</b>	<b>Action recommandée</b>
14. Les lampes de chromathérapie ne fonctionnent pas.	A. Le câblage ou les connexions sont desserrés, déconnectés ou endommagés.	A. Inspecter le câblage et vérifier que les connexions sont adéquates. Remplacer le câblage si nécessaire.
	B. La commande ne fonctionne pas.	B. Remplacer la commande.
15. La chromathérapie n'effectue pas de cycle.	A. Le faisceau de chromathérapie ne fonctionne pas.	A. Remplacer le faisceau de chromathérapie.

# Guía de instalación

## Bañera con jets de aire

### INSTRUCCIONES DE SEGURIDAD



**ADVERTENCIA:** Al usar aparatos eléctricos, siga siempre las precauciones básicas, incluyendo las siguientes:



**PELIGRO: Riesgo de descarga eléctrica.** Para reducir el riesgo de descarga eléctrica, sólo conecte a circuitos correctamente conectados a tierra protegidos por un interruptor de circuito con pérdida a tierra (GFCI) o un dispositivo de corriente residual (RCD).



**ADVERTENCIA: Riesgo de descarga eléctrica.** Un electricista calificado debe realizar todas las conexiones eléctricas.



**ADVERTENCIA: Riesgo de descarga eléctrica.** Desconecte el suministro eléctrico antes de dar servicio.

**AVISO:** Cumpla con todos los códigos locales de electricidad y de plomería.

**La conexión a tierra es un requisito.** Un representante de servicio autorizado debe instalar esta unidad y conectarla a tierra.

El material de construcción y el cableado se deben colocar lejos del cuerpo del soplador y de otros componentes que produzcan calor.

Instale la unidad de manera que se permita el acceso para darle servicio.

El compartimento de cables incluye un conector de presión para la conexión a tierra identificado por las palabras "Earth/Ground". Para reducir el riesgo de descarga eléctrica, conecte este conector al terminal de tierra de su tablero eléctrico o panel de suministro eléctrico con un cable de cobre del mismo tamaño que los conductores del circuito que alimentan este equipo.

Esta unidad incluye conectores de presión en la parte exterior de la caja de empalmes o control para permitir la conexión de un conductor de conexión a tierra entre este producto y cualquier metal expuesto en las proximidades de la unidad, tal como lo requieren las normas locales.

Instale la unidad conforme al Código Eléctrico Canadiense, Parte 1.

### Información sobre el producto

#### Requisitos eléctricos

**NOTA:** Si el cable de alimentación está dañado, debe ser reemplazado por el fabricante, su agente de servicio o personas igualmente calificadas para así evitar un peligro.

La instalación debe contar con un interruptor de circuito con pérdida a tierra (GFCI) de Clase A o dispositivo de corriente residual (RCD). El GFCI o RCD protege contra el peligro de descarga eléctrica de línea a tierra. **Utilice un circuito dedicado de 220-240 V, 15 A, 50/60 Hz para la bañera con jets de aire.**

#### Avisos sobre el producto



**ADVERTENCIA: Riesgo de daños personales o a la propiedad.** Las modificaciones no autorizadas pueden causar el funcionamiento peligroso o afectar el rendimiento de la bañera con jets de aire. No cambie la ubicación del motor soplador, ni haga ninguna otra modificación en el sistema de la bañera si no dispone de un kit u otras instrucciones publicadas, pues esto podría perjudicar el rendimiento y funcionamiento seguro del producto. Kohler Co. no se hace responsable bajo esta



### **Información sobre el producto (cont.)**

garantía o de ninguna otra forma, de las lesiones personales o los daños provocados por modificaciones no autorizadas. Consulte la sección "Antes de comenzar" para conocer las recomendaciones y los requisitos de cambio de ubicación del motor soplador así como la información tratada en cada sección.

**AVISO: Mantenga limpia el área alrededor del motor soplador.** Asegúrese de que el área alrededor del motor soplador no tenga aserrín, material aislante, suciedad u otras partículas sueltas. Estos materiales podrían tapar los conductos de aire del motor soplador, reduciendo el flujo de aire a través del soplador.

### **Componentes ensamblados en fábrica**

Los componentes ensamblados en fábrica incluyen el motor soplador, tubería de aire, control, válvula de retención, válvulas de mariposa, luces de cromoterapia (si se incluyen), arnés eléctrico y teclado iluminado. Aparte del cableado del suministro eléctrico y la instalación de plomería, no es necesario realizar ningún tipo de montaje.

### **Acceso de servicio y a las conexiones**

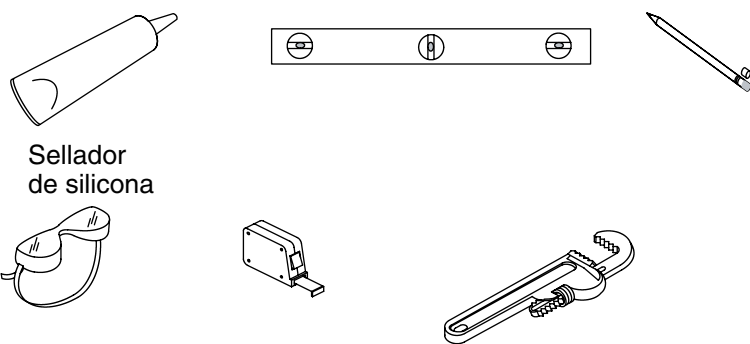
**AVISO: Provea acceso sin restricciones para dar servicio al motor soplador.** Se debe facilitar el acceso para el mantenimiento del motor soplador y los controles. El acceso debe situarse justo al lado del motor soplador. Consulte el diagrama de instalación incluido con la bañera con jets de aire.

Antes de instalar, asegúrese de que el acceso al motor soplador y a las conexiones finales sea adecuado. Si el motor soplador se ha instalado en un área cerrada, es necesario instalar un panel de acceso para el mismo. Este panel debe tener como por lo menos 34" (86,4 cm) de ancho y 15" (38,1 cm) de alto.

## Contenido

INSTRUCCIONES DE SEGURIDAD	1
Información sobre el producto	1
Requisitos eléctricos	1
Avisos sobre el producto	1
Componentes ensamblados en fábrica	2
Acceso de servicio y a las conexiones	2
Herramientas y materiales	3
Antes de comenzar	3
Construya el sitio - Estructura de madera	5
Construya el sitio - Concreto	6
Fije la bañera	7
Instale la plomería	8
Realice la conexión eléctrica - Estándar	9
Retire el motor soplador y la válvula de retención - A distancia	11
Monte el motor soplador y la válvula de retención - A distancia	12
Termine el cable eléctrico del soplador - A distancia	13
Instale el cable eléctrico del soplador al control - A distancia	15
Realice las conexiones eléctricas del suministro - A distancia	16
Termine la instalación	17
Pruebe el funcionamiento de la bañera	17
Haga funcionar el teclado	20
Procedimiento para resolver problemas	21

## Herramientas y materiales



Sellador de silicona

### Más:

- Materiales y herramientas convencionales de carpintería o materiales y herramientas convencionales de mampostería, según sea apropiado.
- Lona para el piso
- Adhesivo de construcción (opcional)
- Cemento o mortero (opcional)
- Listones de 2x4 ó 2x6 (opcional)

## Antes de comenzar



**PRECAUCIÓN: Riesgo de daños al producto.** No levante la bañera por los tubos o el motor soplador, ni los utilice como soporte estructural de la bañera.

**NOTA:** Esta bañera permite que el motor soplador y la válvula de retención permanezcan en la tabla de soporte de la bañera (instalación estándar) del envío o se instalen en otro lugar (instalación a distancia). Consulte las secciones, identificadas como "estándar" o "a distancia", en esta guía de instalación para su instalación en particular.

### Para instalaciones de soplador estándar y a distancia

### **Antes de comenzar (cont.)**

- Por favor lea atentamente estas instrucciones de instalación, funcionamiento y seguridad para familiarizarse con la secuencia de instalación, las herramientas y los materiales necesarios. Siga las secciones correspondientes a su instalación en particular. Esto le ayudará a evitar errores costosos.
- La variedad de instalaciones posibles de esta bañera, puede requerir otros procedimientos de construcción de estructura de soporte no descritos en este manual.
- Confirme que haya suficiente espacio para montar y conectar la grifería especificada para su instalación.

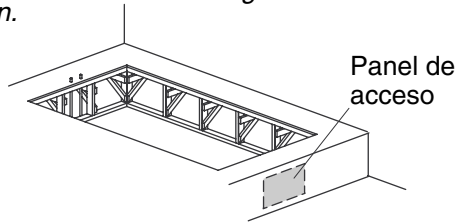
### **Para instalaciones a distancia**

- Al montar el motor soplador y la válvula de retención en un lugar a distancia, elija un espacio lo más cerca posible a la bañera para aumentar al máximo el rendimiento de la bañera. Preste atención a los siguientes requisitos y recomendaciones:
  - El motor soplador debe estar montado horizontalmente a por lo menos 1-1/2" (3,8 cm) arriba del piso. No monte el motor soplador con la salida apuntando hacia arriba.
  - Utilice tubería PVC de 1-1/2" o rígida equivalente.
  - La instalación de los tubos debe cumplir con los requisitos de los códigos locales de plomería o construcción. Asegúrese de que la instalación no reduzca la resistencia al fuego de ninguna de las paredes. Los tubos deben estar soportados, a intervalos, a lo largo de la longitud conforme a los códigos locales.
  - Asegúrese de que el lugar donde se coloque el motor soplador esté limpio y no tenga polvo o restos de suciedad.
  - Si resulta apropiado, instale un panel de acceso adicional para el mantenimiento del motor soplador.
  - El cable de alimentación calibre 18 AWG, como mínimo, para el motor soplador debe cumplir con los requisitos de los códigos de electricidad o construcción pertinentes. Asegúrese de que la instalación no reduzca la resistencia al fuego de ninguna de las paredes.
  - El cable eléctrico debe estar soportado a intervalos, a lo largo de la longitud conforme a los códigos locales. Los cables eléctricos no deben descansar en superficies ni pisos sujetos a inundación.
  - Todo el material necesario para cambiar el lugar de instalación debe ser provisto por el instalador.
- Herramientas y materiales adicionales:
  - Pinzas de electricista.
  - Destornilladores surtidos.
  - Llave ajustable.
  - Taladro y brocas para instalar los herrajes de montaje del soplador.
  - Cable con revestimiento no metálico de calibre 18 AWG, dos conductores conectados a tierra, con clips de soporte, según sea necesario.
  - Una caja de empalmes de 4" (10,2 cm) x 2" (5,1 cm) con tapa, empaque y tornillos de fijación.
  - Tres protectores contra tirones. Uno debe entrar en la tapa del motor soplador con roscas NPT (National Pipe Thread) estándar. Los otros dos deben entrar en los orificios de la caja de empalmes nueva.
  - Seis conectores de cable (tuercas para cable o equivalente).
  - 1-1/2" PVC u otro tubo rígido con: conectores, uniones, cemento de PVC (o método de fijación equivalente), clips de soporte, según se requiera.
  - Cuatro herrajes (como tornillos de cabeza plana para madera o anclajes para concreto) para montar el motor soplador.
  - Cable de puesta a tierra calibre 8 de cobre, 36" (91,4 cm).
- Kohler Co. se reserva el derecho de modificar el diseño de los productos sin previo aviso, tal como se especifica en la lista de precios.

Construya una estructura de postes de 2x4 2x6, conforme al diagrama de instalación.

Construya la estructura del piso conforme al diagrama de instalación.

Coloque las tuberías de plomería.



Verifique que el subpiso proporcione suficiente soporte y que esté plano y nivelado.

## 1. Construya el sitio - Estructura de madera



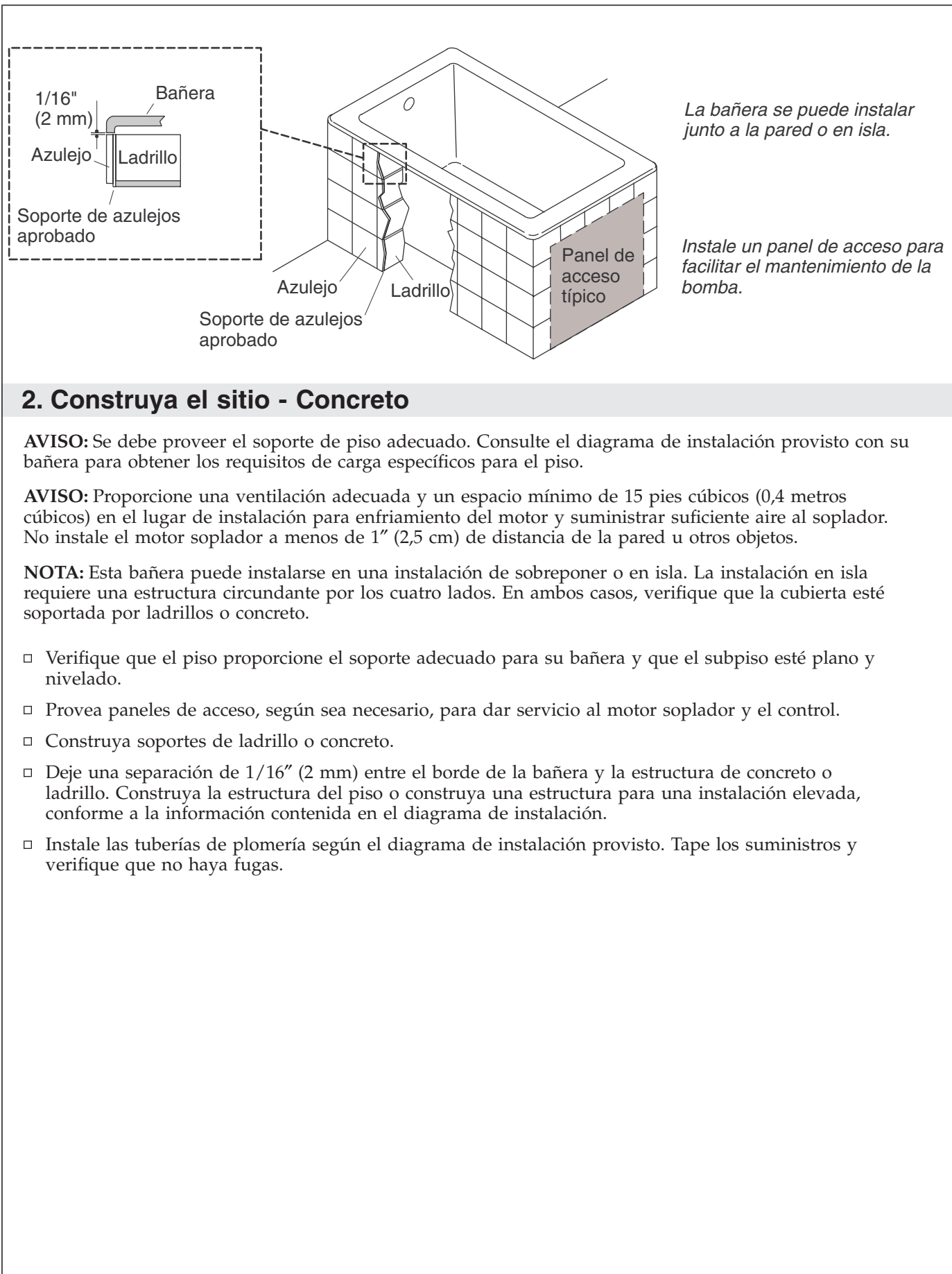
**PRECAUCIÓN: Riesgo de daños a la propiedad.** No apoye la bañera por los bordes. La bañera debe quedar soportada sólo por los bloques niveladores.

**AVISO:** Se debe proveer el soporte de piso adecuado. Consulte el diagrama de instalación provisto con su bañera para obtener los requisitos de carga específicos para el piso.

**AVISO:** Proporcione una ventilación adecuada y un espacio mínimo de 15 pies cúbicos (0,4 metros cúbicos) en el lugar de instalación para enfriamiento del motor y suministrar suficiente aire al soplador. No instale el motor soplador a menos de 1" (2,5 cm) de distancia de la pared u otros objetos.

**NOTA:** Esta bañera puede instalarse en una instalación de sobreponer o en isla. La instalación en isla requiere una estructura circundante por los cuatro lados.

- Verifique que el piso proporcione el soporte adecuado para su bañera y que el subpiso esté plano y nivelado.
- Para una instalación de sobreponer:** Trace y corte con cuidado el material de la cubierta no acabada. Si se ha incluido, utilice la plantilla de corte, o en su defecto, consulte la información de corte en el diagrama de instalación.
- Para una instalación en isla:** Construya una estructura de 2x4 conforme al diagrama de instalación provisto con la bañera.
- Provea paneles de acceso, según sea necesario, para dar servicio al motor soplador y el control.
- Coloque las tuberías según el diagrama de instalación. Tape los suministros y verifique que no haya fugas.



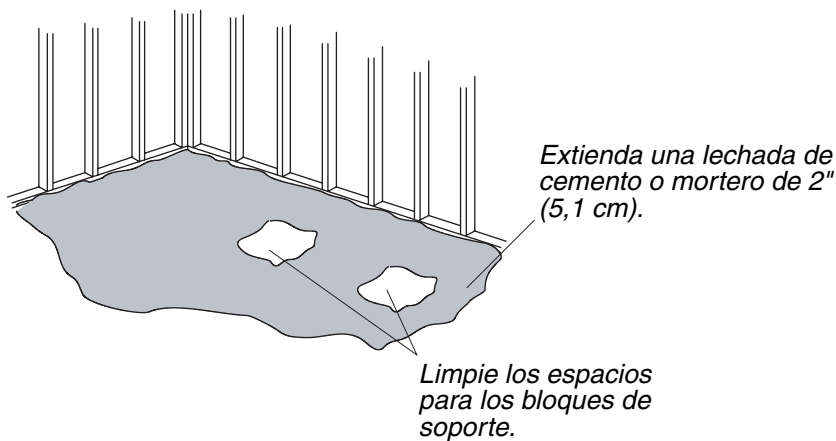
## 2. Construya el sitio - Concreto

**AVISO:** Se debe proveer el soporte de piso adecuado. Consulte el diagrama de instalación provisto con su bañera para obtener los requisitos de carga específicos para el piso.

**AVISO:** Proporcione una ventilación adecuada y un espacio mínimo de 15 pies cúbicos (0,4 metros cúbicos) en el lugar de instalación para enfriamiento del motor y suministrar suficiente aire al soplador. No instale el motor soplador a menos de 1" (2,5 cm) de distancia de la pared u otros objetos.

**NOTA:** Esta bañera puede instalarse en una instalación de sobreponer o en isla. La instalación en isla requiere una estructura circundante por los cuatro lados. En ambos casos, verifique que la cubierta esté soportada por ladrillos o concreto.

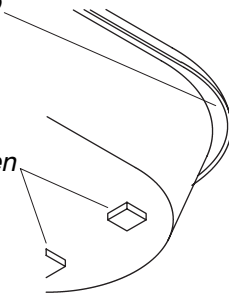
- Verifique que el piso proporcione el soporte adecuado para su bañera y que el subpiso esté plano y nivelado.
- Provea paneles de acceso, según sea necesario, para dar servicio al motor soplador y el control.
- Construya soportes de ladrillo o concreto.
- Deje una separación de 1/16" (2 mm) entre el borde de la bañera y la estructura de concreto o ladrillo. Construya la estructura del piso o construya una estructura para una instalación elevada, conforme a la información contenida en el diagrama de instalación.
- Instale las tuberías de plomería según el diagrama de instalación provisto. Tape los suministros y verifique que no haya fugas.



Aplique una tira de sellador de silicona alrededor de todo el borde.

O

Aplique adhesivo de construcción en los bloques de soporte.



### 3. Fije la bañera

#### Para todas las instalaciones

- Instale el desagüe en la bañera según las instrucciones del fabricante. Aún no conecte la trampa.
- Utilice una lona gruesa y limpia o un material similar para cubrir el fondo de la bañera y los jets de aire. Esto protegerá la superficie de la bañera y los componentes contra los rayones y el daño durante el proceso de instalación.

#### Fije la bañera al subpiso



**PRECAUCIÓN: Riesgo de daños al producto.** No levante la bañera por los tubos o el motor soplador, ni los utilice como soporte estructural de la bañera.



**PRECAUCIÓN: Riesgo de daños al producto.** No apoye la bañera por los bordes.

**AVISO:** La bañera debe asegurarse utilizando uno de los tres métodos siguientes: cemento o mortero, adhesivo de construcción o sellador de silicona. Elija la opción de instalación más apropiada para su instalación en particular. Siga las instrucciones correspondientes.

**AVISO:** Asegúrese de que el subpiso esté a nivel antes de continuar. Si es necesario, coloque cuñas para lograr poner a nivel.

#### Método de cemento o mortero

**AVISO:** No utilice cemento de yeso o pasta para paneles de yeso, estos materiales no proporcionarán una adherencia duradera. Sólo utilice cemento o mortero.

- Extienda una capa de 2" (5,1 cm) de espesor de cemento o mortero en el subpiso **excepto** donde se colocarán los bloques niveladores.
- Limpie todo el cemento o mortero de los lugares para los bloques niveladores.
- Coloque una cubierta de plástico o material similar sobre el cemento o mortero.
- Con ayuda, mueva con cuidado la bañera al lugar de instalación. Asegúrese de que el control del motor soplador y los bloques niveladores no se apoyen en el material de lechada.
- Verifique que los bloques niveladores descansan directamente en el subpiso. Cambie la posición según sea necesario.
- Verifique que la bañera esté a nivel a través de la parte superior de la bañera. Si la bañera no está a nivel, puede que necesite colocar cuñas debajo de los bloques niveladores.
- Conecte el tubo final del desagüe a la trampa.
- Retire la cinta protectora del borde.

### Fije la bañera (cont.)

- Aplique una tira continua de sellador de silicona de alta calidad alrededor de todo el borde de la bañera. Deje que el sellador se seque según las instrucciones del fabricante.

### Método de adhesivo de construcción

- Aplique una cantidad abundante de adhesivo de construcción de alta calidad en la parte inferior de los bloques niveladores.
- Con ayuda, mueva con cuidado la bañera al lugar de instalación.
- Verifique que los bloques niveladores descansen directamente en el subpiso. Cambie la posición o coloque cuñas según sea necesario.
- Verifique que la bañera esté a nivel a través de la parte superior de la bañera. Si la bañera no está a nivel, puede que necesite colocar cuñas debajo de la bañera.
- Conecte el tubo final del desagüe a la trampa.
- Retire la cinta protectora del borde.
- Aplique una tira continua de sellador de silicona alrededor de todo el borde de la bañera. Deje que el sellador se seque según las instrucciones del fabricante.

### Método de sellador de silicona

- Con ayuda, mueva con cuidado la bañera al lugar de instalación.
- Verifique que los bloques niveladores descansen directamente en el subpiso. Cambie la posición o coloque cuñas según sea necesario.
- Verifique que la bañera esté a nivel a través de la parte superior de la bañera. Si la bañera no está a nivel, puede que necesite colocar cuñas debajo de la bañera.
- Conecte el tubo final del desagüe a la trampa.
- Retire la cinta protectora del borde.
- Aplique una tira continua de sellador de silicona alrededor de todo el borde de la bañera.
- Deje que el sellador se seque según las instrucciones del fabricante.

## 4. Instale la plomería



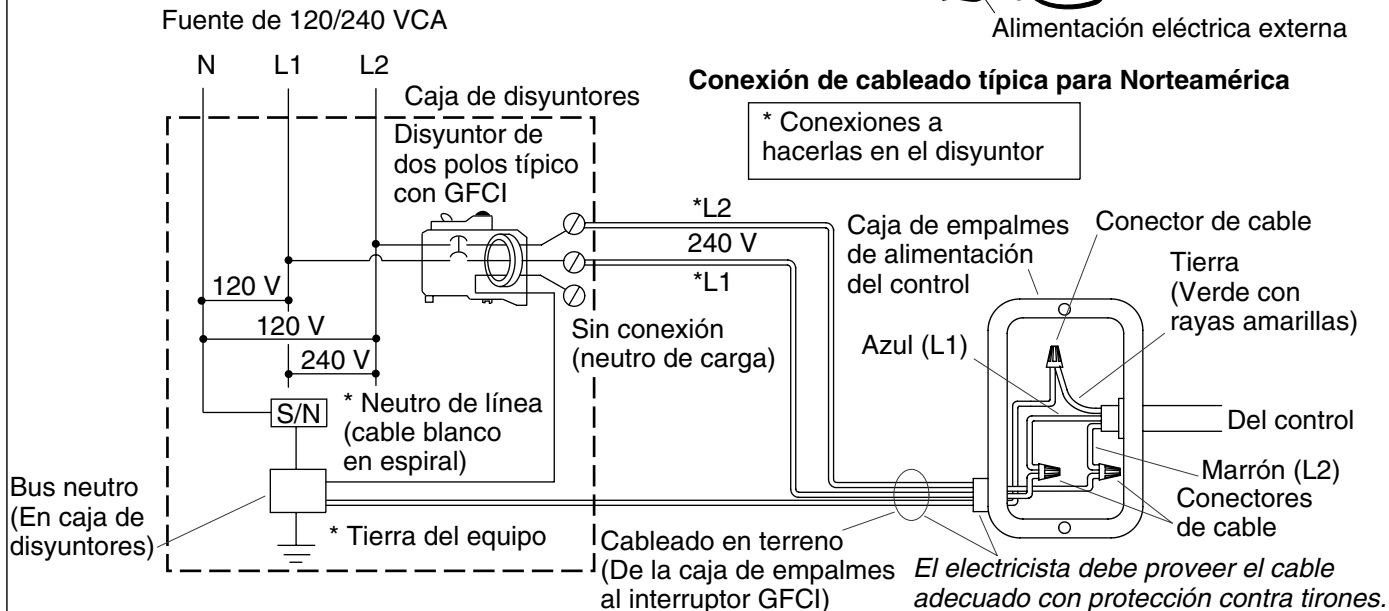
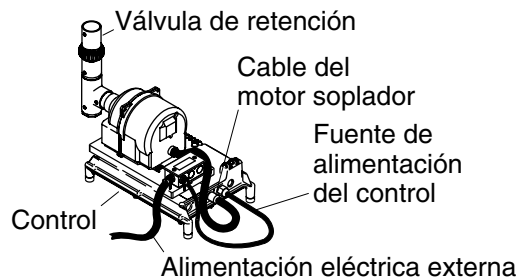
**PRECAUCIÓN: Riesgo de daños a la propiedad.** Debe existir un sello hermético en todas las conexiones del desagüe de la bañera. Este sello hermético evitará daños a la propiedad.

- Conecte el desagüe a la trampa según las instrucciones del fabricante del desagüe.

**NOTA:** Para simplificar el mantenimiento futuro, provea el acceso a todas las conexiones de plomería.

- Instale la válvula de la grifería según las instrucciones del fabricante de la grifería. No instale la guarnición de la grifería hasta que se le indique. Abra los suministros del agua caliente y fría, y compruebe que no haya fugas en las conexiones de suministro.
- Deje que el agua fluya en la bañera, y verifique que no haya fugas en las conexiones de desagüe.

Conecte conforme a los códigos nacionales y locales.  
Las lengüetas abiertas de conexión a tierra se encuentran en la parte superior de la caja de empalmes.



## 5. Realice la conexión eléctrica - Estándar

**NOTA:** El número de modelo está impreso en una etiqueta ubicada del lado de la bomba de la bañera de hidromasaje. Esta etiqueta identifica la capacidad nominal eléctrica del producto. Todas las bañeras de hidromasaje están equipadas con una caja de empalmes y están diseñadas para funcionar entre 220 VCA y 240 VCA a 50 Hz o 60 Hz.



**ADVERTENCIA: Riesgo de descarga eléctrica.** Asegúrese de desconectar la corriente eléctrica antes de realizar el siguiente procedimiento. Consulte la sección "Información importante".



**ADVERTENCIA: Riesgo de descarga eléctrica.** Para reducir el riesgo de descarga eléctrica, conecte la bomba a interruptor de circuito con pérdida a tierra (GFCI) o un dispositivo de corriente residual (RCD). Esto servirá de protección adicional contra el peligro de descarga eléctrica de línea a tierra. Se requiere un circuito dedicado de 220-240 V, 15 A, 50/60 Hz.

**AVISO:** El diodo emisor de luz **neutro de carga** no se usa. No debe haber conexión al terminal **neutro de carga** en el interruptor de circuito con pérdida a tierra (GFCI) o el dispositivo de corriente residual (RCD). El cable verde con raya amarilla es la **tierra del equipo** y es necesario conectarlo al bus neutro de la caja principal de circuitos eléctricos.

**AVISO:** El cableado del sistema y el control de la bañera se ha realizado en la fábrica. Un electricista calificado debe realizar las conexiones eléctricas a la caja de empalmes.

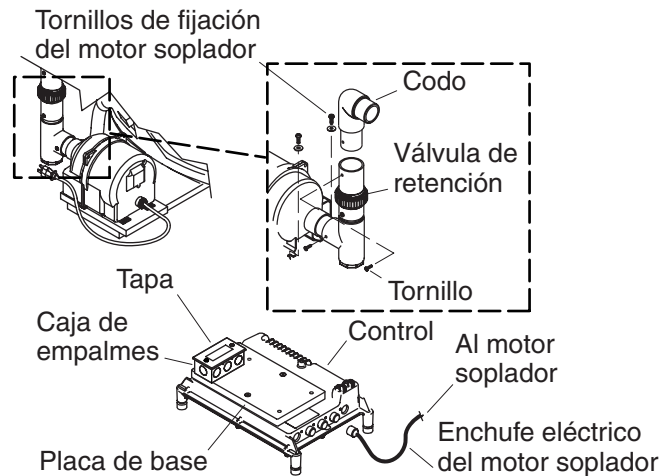
- Conecte la corriente eléctrica a la caja de empalmes del control. La caja de empalmes tiene cables de color azul, marrón y verde con una raya amarilla. Cumpla con todos los códigos eléctricos locales. Conecte conforme a los códigos nacionales y locales.

**NOTA:** El cableado del arnés de cables se ha realizado en la fábrica. No es necesario realizar ningún cableado adicional, pero asegúrese de que todos los cables se hayan afianzado bien.



**Realice la conexión eléctrica - Estándar (cont.)**

**NOTA:** El arnés de cables incluye una antena para el control remoto opcional. No modifique ni dañe la antena durante la instalación.



## 6. Retire el motor soplador y la válvula de retención - A distancia

**AVISO:** Esta sección sólo aplica a las instalaciones en las que el motor soplador y la válvula de retención se cambian a un lugar de instalación diferente a la posición de transporte en la tabla de soporte.

**AVISO:** No corte el arnés (tubería) del soplador para esta instalación.

**AVISO:** Usted tiene que cambiar el lugar de instalación de la válvula de retención con el motor soplador.

### Retire el motor soplador

- Desconecte el enchufe del motor soplador del control.
- Retire los sujetas cables que soportan el cable del motor soplador.
- Retire y guarde el tornillo de retención que sostiene el arnés del soplador en la salida del motor soplador.
- Retire y guarde los cuatro tornillos de fijación del motor de la placa base del adaptador del soplador.
- Sujete la T con una mano y al mismo tiempo, deslice sacando el motor soplador de la T.
- Saque el motor soplador de la bañera.

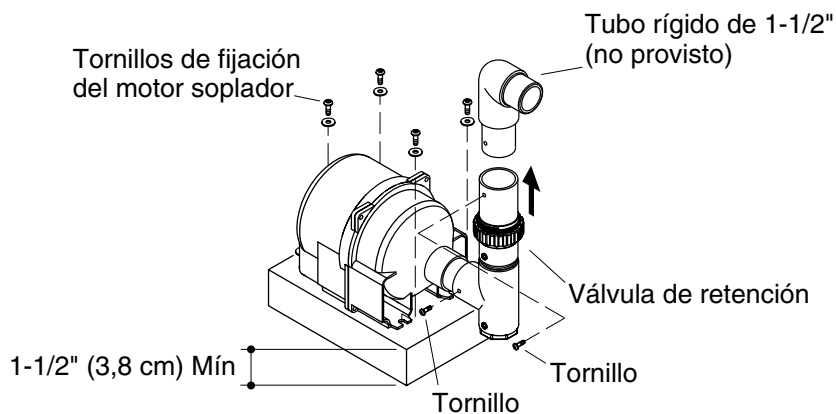
### Desmonte la válvula de retención

- Retire y guarde el tornillo de retención superior de la válvula de retención.
- Extraiga de la bañera, la válvula de retención y el codo PVC que se encuentra conectado.

### Prepare el sitio

**NOTA:** Consulte la sección "Antes de comenzar" para obtener requisitos detallados para cambiar la ubicación del motor soplador.

- Prepare el sitio donde se va a instalar el motor soplador. El sitio se debe ubicar dentro de 15' (4,5 m) de la bañera.
- Instale un panel de acceso para poder reparar el motor soplador, según corresponda.
- Según sea apropiado para la instalación, prepare el trazado de las tuberías PVC y del cable de alimentación nuevo del motor soplador. Cumpla con todos los códigos correspondientes.



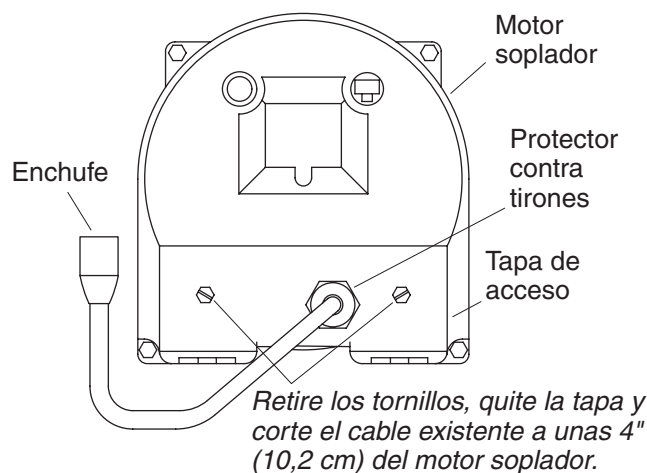
## 7. Monte el motor soplador y la válvula de retención - A distancia

**NOTA:** El motor soplador debe estar montado horizontalmente a 2" (5,1 cm) arriba del piso. No monte el motor soplador con la salida apuntando hacia arriba.

**NOTA:** Se debe cambiar el lugar de instalación de la válvula de retención con el motor soplador. En la nueva ubicación, la válvula de retención no debe estar a menos de 24" (61 cm) de altura por debajo del borde de la bañera. La válvula de retención debe estar a 12" (30,5 cm) del motor soplador. La válvula de retención debe estar orientada verticalmente con la flecha de flujo apuntando hacia arriba.

**NOTA:** Consulte la sección "Antes de comenzar" para otros requisitos detallados para cambiar la ubicación del motor soplador.

- En la nueva ubicación del motor soplador, instale un bloque alto (no provisto) de 1-1/2" (3,8 cm) mínimo para el soporte del motor soplador.
- Utilice el motor soplador como una plantilla para marcar la ubicación de los cuatros pernos de fijación o tornillos.
- Taladre cuatro orificios guía de 1/8" (3 mm) para los tornillos de fijación del motor soplador.
- Instale y soporte tuberías rígidas de PVC o de otro tipo (no provista) de 1-1/2" entre el lugar de instalación del motor soplador y las tuberías de aire de la bañera.
- Conecte las tuberías nuevas al equipo de aire existente sin modificarlo. Alinee la tubería nueva y fije la conexión con cemento para PVC. **Deje que el cemento para PVC se seque según las instrucciones del fabricante.**
- Conecte el montaje de la válvula de retención a los tubos nuevos. Alinee las tuberías nuevas con el montaje de la válvula de retención y perfore un orificio para el tornillo de fijación existente. Utilice sellador de silicona o equivalente en la conexión y vuelva a utilizar el tornillo que desatornilló anteriormente. Deje que el sellador se seque según las recomendaciones del fabricante.
- Aplique sellador de silicona o equivalente a la conexión inferior del montaje de la válvula de retención.
- Alinee el motor soplador con la conexión inferior del montaje de la válvula de retención. Coloque el motor sobre el bloque de soporte. Vuelva a instalar el tornillo de retención. Deje que el sellador se seque según las recomendaciones del fabricante.
- Fije el motor soplador al bloque de soporte nuevo con los tornillos de montaje de retención.



## 8. Termine el cable eléctrico del soplador - A distancia

### Instale el cable eléctrico

- Pase dos conductores con conexión a tierra calibre 18 AWG o cable eléctrico equivalente (no provisto) entre la bañera y el motor soplador. Cumpla con todos los códigos pertinentes de electricidad y de prevención de incendios. Asegúrese de que el forro del cable cumpla con los requisitos de los códigos pertinentes y que el cable esté soportado y protegido correctamente.

### Prepare el soplador para la instalación a distancia

- Afloje la tuerca del protector contra tirones en el motor soplador. Empuje la tuerca en el cable para dejar espacio y así poder quitar la tapa.
- Desatornille los dos tornillos de la tapa de acceso por la parte posterior del motor soplador. Conforme afloje los tornillos, verifique periódicamente si la tapa se puede deslizar hacia atrás en el cable eléctrico.
- Una vez que la tapa esté suelta, utilice unas pinzas de electricista o equivalente para cortar el cable eléctrico a unos 4" (10,2 cm) del punto donde el cable desaparece dentro del alojamiento del motor soplador.
- Saque el extremo libre del cable eléctrico a través de la tapa, el inserto y la tuerca del protector contra tirones.
- Deseche la tuerca del protector contra tirones e inserto existentes.
- Vuelva a conectar el enchufe del motor soplador al control.
- Instale un protector contra tirones de rosca estándar NPT a la tapa del motor soplador.
- Guarde temporalmente los componentes desmontados en un lugar seguro.

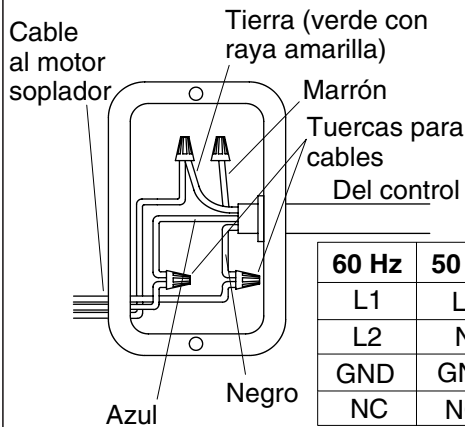
### Conecte el cable de eléctrico nuevo al motor soplador

- Pele unos 3" (7,6 cm) del forro del cable en espiral de 4" (10,2 cm) del motor soplador.
- Pele unos 2" (5,1 cm) del forro del cable de eléctrico del motor soplador recientemente instalado.
- Para las instalaciones en los Estados Unidos, marque los conductores blancos con cinta roja o negra como lo requiere el NEC.
- Pele el aislamiento de los cables unos 3/8" (1 cm) del cable en espiral del motor soplador y del cable eléctrico.
- Pase los hilos del nuevo cable eléctrico a través de la tapa de acceso del motor soplador y el protector contra tirones.
- Utilice tuercas para cables u otros métodos aprobados para terminar los conductores como sigue:

### **Termine el cable eléctrico del soplador - A distancia (cont.)**

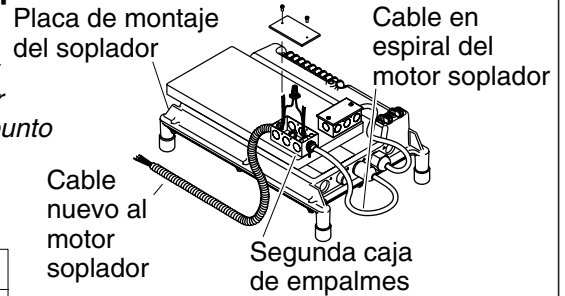
- Conecte el hilo negro del cable en espiral al conductor L1 del cable eléctrico.
  - Conecte el hilo azul del cable en espiral al conductor L2 del cable eléctrico.
  - Conecte el hilo verde con raya amarilla del cable en espiral al conductor de puesta a tierra del cable eléctrico.
- 
- Con los dos tornillos, vuelva a instalar la tapa de acceso en el motor soplador.
  - Apriete el protector contra tirones en el cable eléctrico del motor soplador.
  - Elimine el polvo y la suciedad del área del motor soplador.

## Segunda caja de empalmes



## Caja de empalmes de alimentación del control

*Pele unos 3 (7,6 cm) de las fundas del cable de terreno y del cable en espiral del motor soplador. Luego corte en el punto donde termina la funda del cuarto hilo marrón que no se utiliza.*



60 Hz	50 Hz	Del control
L1	L1	Azul
L2	N	Negro
GND	GND	Verde con raya amarilla
NC	NC	Marrón

*Pase el extremo cortado del cable a la caja de empalmes nueva. Añada un protector contra tirones. Instale una caja de empalmes con tapa y una lengüeta de conexión a tierra (no incluida).*

## 9. Instale el cable eléctrico del soplador al control - A distancia

### Instale la segunda caja de empalmes en el control

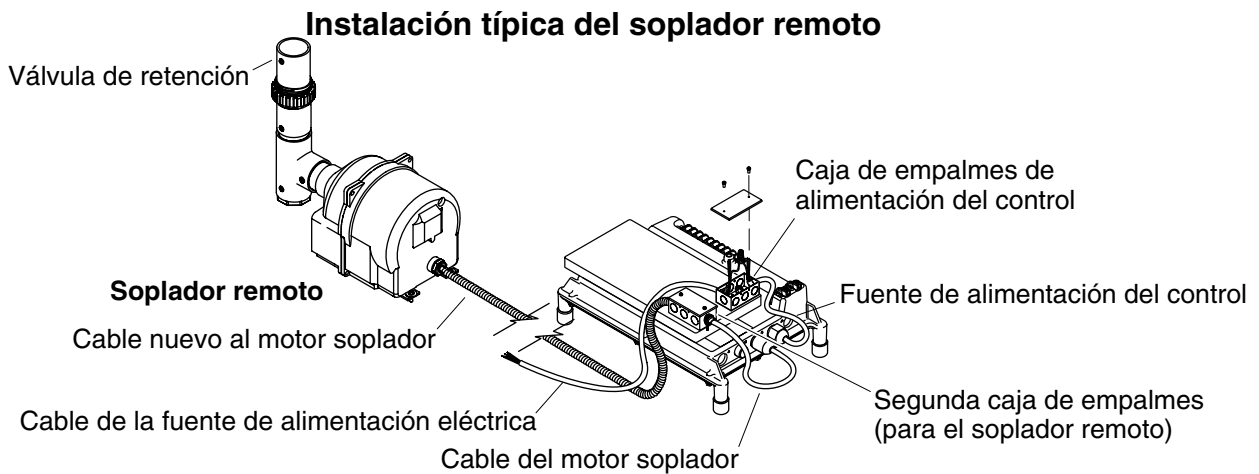
- Instale una segunda caja de empalmes con un lengüeta externa de conexión a tierra, dos protectores contra tirones y una tapa (no provista) en la placa de montaje del soplador en el control.
- Conecte un hilo de cobre calibre 8 de la lengüeta de conexión a tierra en la caja de empalmes nueva a la lengüeta de conexión no utilizada en el control. Cumpla con todos los códigos eléctricos locales.

### Vuelva a conectar el cable eléctrico del motor soplador

- Si se requiere, vuelva a conectar el cable eléctrico del motor soplador en el control.
- Pase el cable eléctrico a través del protector contra tirones en la segunda caja de empalmes. Apriete el protector contra tirones.
- Pele unos 3" (7,6 cm) del forro del cable eléctrico en el extremo cortado.
- Con una tuerca para cable, tape el conductor marrón que no se utiliza en el forro del cable.
- Pele unos 3/8" (1 cm) del aislamiento de los cables restantes del control.

### Vuelva a conectar el cable eléctrico nuevo del soplador

- Pase el cable eléctrico nuevo del soplador a través del otro protector contra tirones en la segunda caja de empalmes. Apriete el protector contra tirones.
- Pele unos 3" (7,6 cm) del forro del cable.
- Para las instalaciones en los Estados Unidos, marque los cables blancos con cinta aislante de color rojo o negro como lo requiere el NEC.
- Pele unos 3/8" (1 cm) del extremo de los cables.
- Utilice dispositivos aprobados de terminación para terminar los conductores como sigue:
  - Conecte el hilo negro del cable en espiral al conductor L1 del cable eléctrico.
  - Conecte el hilo azul del cable en espiral al conductor L2 del cable eléctrico.
  - Conecte el hilo verde con raya amarilla del cable en espiral al conductor de puesta a tierra del cable eléctrico.
  - El hilo marrón no se usa y se debe tapar con una tuerca para cable.
- Instale la tapa en la nueva caja de empalmes.



## 10. Realice las conexiones eléctricas del suministro - A distancia



**ADVERTENCIA: Riesgo de descarga eléctrica.** Para reducir el riesgo de descarga eléctrica, conecte el control a un tomacorriente correctamente conectado a tierra protegido por un interruptor de circuito con pérdida a tierra (GFCI) o un dispositivo de corriente residual (RCD). Esto servirá de protección adicional contra el peligro de descarga eléctrica de línea a tierra. Se requiere un circuito dedicado de 220-240 V, 15 A, 50/60 Hz.

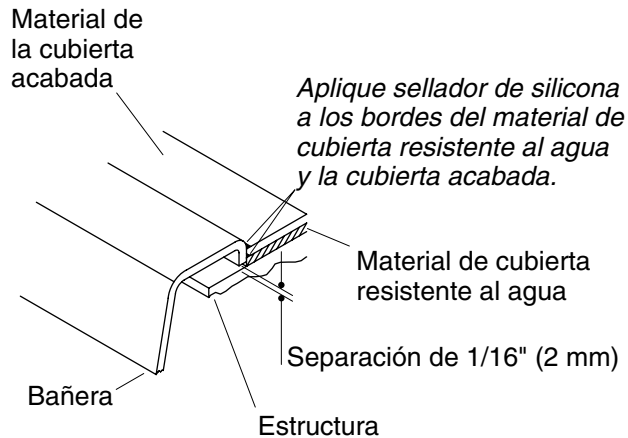


**ADVERTENCIA: Riesgo de descarga eléctrica.** Asegúrese de desconectar la corriente eléctrica antes de realizar el siguiente procedimiento.

**NOTA:** El número de modelo y la capacidad nominal eléctrica de la bañera está impresa en una etiqueta cerca del motor soplador.

- Asegúrese de que el cable de la fuente de alimentación del control se haya tendido correctamente en la caja de empalmes eléctricos. El cable de la fuente de alimentación del control tiene un hilo marrón (Línea 1), un hilo azul (Línea 2) y un hilo verde con una raya amarilla (puesta a tierra).
- Instale un protector contra tirones (no provisto) para el cable de la caja de empalmes de alimentación del control.
- Pase el cable de la fuente de alimentación a la caja de empalmes eléctricos.
- Pele el forro y el aislamiento de ambos cables para realizar las conexiones, según se requiera.
- Para las instalaciones en los Estados Unidos, marque los conductores blancos del cableado de la fuente de alimentación con cinta roja o negra como lo requiere el NEC.
- Conecte la corriente eléctrica a la caja de empalmes del control.
- Provea un conductor de tierra separado a la lengüeta de conexión a tierra no usada ubicada en la caja de empalmes de control. Este conductor **no debe** estar conectado a ningún conductor que porte corriente. Cumpla con todos los códigos eléctricos locales.
- Conecte conforme a los códigos nacionales y locales.
- Limpie el polvo y los restos de suciedad del área.
- El cableado de todos los arneses de cables se ha realizado en la fábrica. Asegúrese de que todos los cables estén bien apretados.

**NOTA:** El arnés de cables incluye una antena para el control remoto opcional. No modifique ni dañe la antena durante la instalación.



## 11. Termine la instalación

### Para las instalaciones de sobreponer

- Retire la cinta protectora del borde de la bañera con cuidado, si aún no lo ha hecho.
- Cubra la estructura con material de cubierta resistente al agua. Selle las juntas entre el filo del borde de la bañera y el material de cubierta resistente al agua con sellador de silicona.
- Instale la guarnición de la grifería conforme a las instrucciones incluidas con la guarnición.

### Para las instalaciones en isla

- Retire la cinta protectora del borde de la bañera con cuidado, si aún no lo ha hecho.
- Aplique cemento de construcción y adhiera los azulejos a cualquier material de pared, cubierta y de estructura, según sea necesario.
- Aplique una tira de sellador en los lugares donde el azulejo entre en contacto con la superficie de la bañera.
- Instale la guarnición de la grifería conforme a las instrucciones incluidas con la guarnición.

### Para todas las instalaciones

- Limpie el polvo y restos de suciedad del área alrededor del motor soplador.
- Utilice agua tibia y un detergente líquido para limpiar la superficie de la bañera. **No utilice limpiadores abrasivos**, pues pueden rayar y opacar la superficie de la bañera. **No utilice productos de limpieza en polvo a menos que estén completamente disueltos en el agua.** Las sustancias sólidas podrían obstruir los jets de aire. **No utilice productos de limpieza que contengan cloro (lejía) o amoníaco.** Las soluciones de limpieza activas químicamente pueden dañar la superficie de la bañera. Consulte la guía del usuario para las recomendaciones de limpieza normal.

## 12. Pruebe el funcionamiento de la bañera

**NOTA:** Si la bañera no funciona correctamente, consulte la sección "para resolver problemas" de esta guía antes de llamar a un representante de servicio calificado.

**NOTA:** Para obtener información adicional acerca del funcionamiento de la bañera, consulte la sección "Haga funcionar el teclado".

### Verificaciones preliminares

- Retire provisionalmente todos los paneles de acceso.
- Asegúrese de que el área alrededor del soplador no tenga aserrín, material aislante, suciedad u otras partículas sueltas.



### **Pruebe el funcionamiento de la bañera (cont.)**

- Verifique que la conexión de unión en la válvula de retención esté bien apretada a mano.
- Verifique que las tuberías del soplador a las válvulas de mariposa estén correctamente conectadas y soportadas.
- Verifique que las tuberías de la válvula de retención a las válvulas de mariposa estén correctamente conectadas y soportadas.
- Asegúrese de que los sujetadores cables u otros clips soporten las tuberías de aire y el arnés eléctrico en la bañera.
- Asegúrese de que todos los conectores eléctricos no utilizados estén soportados arriba del piso.
- Revise todas las conexiones eléctricas. Verifique que esté conectada la energía eléctrica a la bañera.
- Asegúrese de que todas las conexiones de la tubería de PVC estén apretadas.

### **Confirme el funcionamiento del soplador**

- Retire la lona protectora de la bañera.
- Llene la bañera a un nivel de por lo menos 2" (5,1 cm) arriba del jet de aire más alto.
- Oprima el botón de encendido en el teclado.
- Observe que los iconos del teclado se iluminen. El icono del modo de flujo de aire y el icono del ciclo de cromoterapia (si se incluye) se iluminarán en verde. Los iconos de la Zona 1, Zona 2 y Zona 3 también están iluminados en verde puesto que las tres zonas están activadas.
- Observe que el motor soplador inicie su funcionamiento a velocidad media.
- Si están incluidas, verifique que las cuatro luces de cromoterapia estén iluminadas. Es posible que no sea evidente el cambio de colores puesto que el tiempo de ciclo puede ser bastante largo.

**NOTA:** El modo del ciclo de purga no se puede seleccionar mientras haya agua en la bañera.

- Gire el anillo externo a cada una de las posiciones de iconos disponibles.
- Al seleccionar cada icono para activar cada modo, verifique que el icono comience a parpadear en verde. Si el modo no está funcionando, la luz parpadeará en azul.
- Al cancelar la selección de cada icono, verifique que cada icono deje de parpadear.
- Seleccione y active el icono del modo de flujo de aire.
- Oprima el botón con flechas hacia arriba y abajo para verificar que el flujo de aire aumente o disminuya.
- Apague el soplador.
- Verifique que no haya fugas de agua en la bañera, en el desagüe de la bañera y en la tubería de aire.

### **Confirme el control de cada zona**

- Seleccione y desactive la Zona 1.
- Verifique que el aire deje de fluir en la zona correspondiente.
- Active la Zona 1.
- Repita este procedimiento con las Zonas 2 y 3.
- Verifique que no haya fugas en las conexiones de PVC de la bañera.

### **Confirme el funcionamiento del modo de barrido**

### **Pruebe el funcionamiento de la bañera (cont.)**

**NOTA:** El modo de barrido hace que la velocidad del motor soplador cicle entre el valor mínimo y máximo, como se lo indica la barra indicadora en el teclado. Hay seis tiempos de ciclo disponibles que varían de unos 10 segundos a 1 minuto aproximadamente. En este modo, el tiempo de ciclo se puede controlar utilizando el botón hacia arriba o hacia abajo del teclado. El modo de barrido funcionará con cualquier zona o todas las zonas seleccionadas.

- Seleccione y active el modo de barrido.
- Verifique que el flujo de aire cicle entre el mínimo y máximo.
- Aumente o disminuya la velocidad del ciclo de barrido presionando los botones hacia arriba o hacia abajo.
- Oprima el botón de encendido en el teclado.

### **Haga funcionar el ciclo de cromoterapia (si está equipada)**

- Gire el anillo externo al icono de cromoterapia, luego oprima OK. Las luces de cromoterapia cambian de color automática y continuamente a través del ciclo de ocho colores; blanco, violeta, azul índigo, azul agua, verde, amarillo, naranja y rojo. Un ciclo de ocho colores tarda aproximadamente 1 minuto.
- Oprima "OK" mientras está activado el modo de cromoterapia para apagar las luces de cromoterapia.
- Gire el anillo externo al icono del color específico de cromoterapia, luego oprima "OK". Utilice las flechas hacia arriba o hacia abajo para seleccionar el color deseado.
- Oprima "OK" otra vez para apagar las luces de cromoterapia.

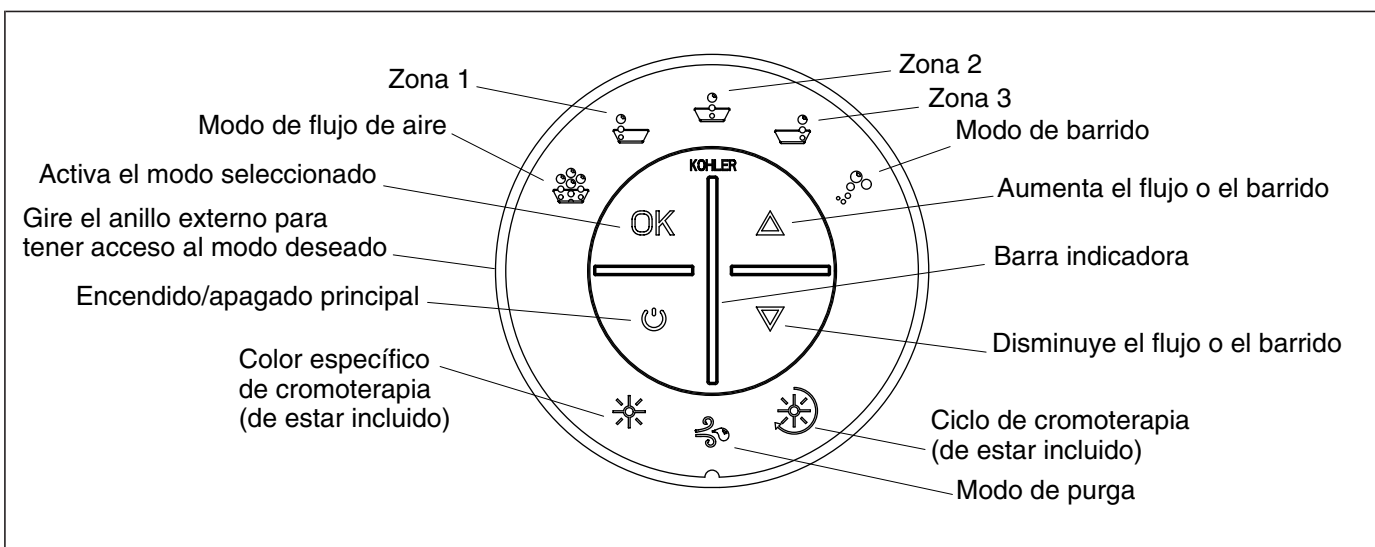
### **Haga funcionar el ciclo de purga automática**

**NOTA:** El ciclo automático de purga ocurre una vez que la bañera se ha drenado. Funciona a baja velocidad durante unos 2 minutos para eliminar el resto del agua de los canales de aire.

- Si se requiere, llene la bañera a un nivel de por lo menos 2" (5,1 cm) arriba del jet de aire más alto.
- Drene la bañera.
- Cuando el nivel de agua desciende por debajo de las sondas detectoras del nivel, verifique que el soplador se ponga en funcionamiento a baja velocidad.
- Tras unos 2 minutos, verifique que el motor soplador se detenga.

### **Haga funcionar el ciclo de purga manual**

- Una vez drenada la bañera, gire el anillo externo al icono de ciclo de purga.
- Oprima el Icono "OK".
- Observe que el soplador inicie en el ciclo de purga. El agua residual soplará de los canales de aire.
- Una vez que el soplador haya funcionado durante unos 2 minutos, observe que se detenga.
- Coloque la lona protectora en la bañera.
- Apague el suministro eléctrico a la bañera.



### 13. Haga funcionar el teclado

Los modos/funciones disponibles se iluminarán en azul. Los modos activos se iluminarán en verde.

<b>Encendido/apagado principal</b>	Enciende y apaga el motor soplador.
<b>Anillo externo</b>	Gire el anillo externo al modo deseado. El modo seleccionado se encenderá de forma intermitente en azul.
<b>OK</b>	Activa el modo deseado. El modo activado se encenderá de forma intermitente en verde.
<b>Modo de flujo de aire</b>	El flujo de aire se dirige a través de algunos de los jets de aire en las zonas seleccionadas. Ajuste el flujo de aire con los botones de flecha. Cuando se selecciona el modo de barrido, el modo de flujo de aire se detiene. Cuando se selecciona el modo de flujo de aire y el modo de barrido está funcionando en ese momento, el modo de barrido se detiene.
<b>Zona 1</b>	Selecciona o cancela la selección del flujo de aire a través de la Zona 1.
<b>Zona 2</b>	Selecciona o cancela la selección del flujo de aire a través de la Zona 2.
<b>Zona 3</b>	Selecciona o cancela la selección del flujo de aire a través de la Zona 3.
<b>Modo de barrido</b>	Cuando está activado, el flujo de aire aumenta de mínimo a máximo y disminuye de nuevo al mínimo. Ajuste la velocidad de barrido entre 10 segundos a 60 segundos, mediante los botones con flechas hacia arriba y hacia abajo. Seleccione o cancele la selección de zonas en el modo de barrido.
<b>Flecha hacia arriba</b>	Aumenta el flujo de aire cuando el modo de flujo de aire está activado. Aumenta la velocidad de pulsación cuando el modo de barrido está activado.
<b>Barra indicadora</b>	Muestra el volumen del flujo de aire cuando funciona en el modo de flujo de aire. Muestra la velocidad de barrido cuando funciona en el modo de barrido.
<b>Flecha hacia abajo</b>	Disminuye el flujo de aire cuando el modo de flujo de aire está activado. Disminuye la velocidad de pulsación cuando el modo de barrido está activado.
<b>Modo de purga</b>	Seleccione para iniciar manualmente el modo de purga. El ciclo de purga no comenzará a funcionar si hay agua en la bañera. El modo de purga expulsa el agua residual que pueda haber de los canales de aire. El motor soplador arranca y continúa funcionando a baja velocidad durante unos 2 minutos. El ciclo automático de purga funciona cuando la bañera se vacía y el nivel de agua desciende por debajo de los sensores de nivel.
<b>Modo en espera</b>	A fin de aumentar el placer del baño, el teclado está programado para que se atenúe tras 15 segundos de inactividad. Solamente la última opción seleccionada permanecerá iluminada. Para continuar con el funcionamiento normal, oprima cualquier tecla o gire el anillo externo. Aproximadamente 1 minuto después de que todo el equipo se haya apagado, el teclado se oscurecerá por completo para conservar energía. Oprima el botón de encendido o gire el anillo externo para reactivar el teclado.

## Haga funcionar el teclado (cont.)

### Ciclo de cromoterapia

Para seleccionar este modo, gire el anillo externo, luego oprima OK. Las luces de cromoterapia cambian de color automática y continuamente en el ciclo de ocho colores. Un ciclo de ocho colores tarda aproximadamente 1 minuto. Sólo uno de los dos teclados controla este modo.

### Color específico de cromoterapia

Gire el anillo externo para seleccionar este modo. Oprima OK, oprima la flecha hacia arriba o hacia abajo para seleccionar un color, luego oprima OK otra vez. Sólo uno de los dos teclados controla este modo.

## Procedimiento para resolver problemas

**AVISO:** Esta sección es sólo para ayuda general. Un representante de servicio autorizado de KOHLER o un electricista calificado debe resolver todos los problemas eléctricos. Para obtener servicio cubierto por la garantía, póngase en contacto con el vendedor o el distribuidor mayorista.

Síntomas	Causas probables	Acción recomendada
1. El teclado no se ilumina cuando se oprime el botón de encendido o se gira el anillo externo.	A. El control no tiene alimentación eléctrica.	A. Verifique el cableado y conecte el suministro eléctrico.
	B. El interruptor de circuito con pérdida a tierra (GFCI) o el dispositivo de corriente residual (RCD) se ha disparado.	B. Oprima el botón de restablecer el interruptor GFCI o RCD. Si se dispara otra vez, consulte "El interruptor de circuito con pérdida a tierra (GFCI) o el dispositivo de corriente residual (RCD) se dispara cuando la bañera con jets de aire se enciende".
	C. El arnés de cables del teclado al control está suelto, desconectado o dañado.	C. Revise que los cables estén correctamente conectados. Reemplace el arnés de cables de ser necesario.
	D. El teclado no funciona.	D. Reemplace el teclado.
	E. El control no funciona.	E. Reemplace el control.
2. El interruptor de circuito con pérdida a tierra (GFCI) o el dispositivo de corriente residual (RCD) se dispara cuando la bañera con jets de aire se enciende.	A. El equipo eléctrico está mojado o dañado.	A. Compruebe que las conexiones no estén mojadas. Seque las conexiones y repare la fuga. Compruebe si el aislamiento o el conector está dañado. Reemplace el equipo si está dañado.
	B. El cableado eléctrico a la caja de empalmes de la bañera está mojado o dañado.	B. Haga que un electricista calificado diagnostique y corrija el problema conforme a los códigos pertinentes de construcción y electricidad.
	C. El cableado eléctrico al cable de alimentación de la bañera está mojado o dañado.	C. Haga que un electricista calificado diagnostique y corrija el problema conforme a los códigos pertinentes de construcción y electricidad.
	D. El motor soplador ha sufrido un corto interno.	D. Reemplace el motor soplador.
	E. El control ha sufrido un corto interno.	E. Reemplace el control.
3. El teclado está iluminado, pero no responde a los botones o anillo externo.	A. El programa del control está bloqueado.	A. Oprima el botón de restablecer el interruptor GFCI o RCD.
	B. El arnés de cableado P5 que existe entre el teclado y el control está suelto, desconectado o dañado.	B. Revise que los cables estén correctamente conectados. Reemplace el arnés de cables de ser necesario.
	C. El teclado no funciona.	C. Reemplace el teclado.
	D. El control no funciona.	D. Reemplace el control.

**Procedimiento para resolver problemas (cont.)**

<b>Síntomas</b>	<b>Causas probables</b>	<b>Acción recomendada</b>
4. El motor soplador no se enciende.	A. El cable eléctrico del motor soplador al control está suelto, desconectado o dañado.	A. Revise que los cables estén correctamente conectados.
	B. El motor soplador no funciona.	B. Reemplace el motor soplador.
	C. El control no funciona.	C. Reemplace el control.
5. El motor soplador deja de funcionar y no se pone en funcionamiento de inmediato. El teclado está iluminado.	A. El motor soplador se ha sobrecalentado, activando el dispositivo de protección.	A. Verifique que no haya obstrucciones en las ventilaciones del motor. Elimine la obstrucción y deje enfriar el motor. Consulte al vendedor o al distribuidor mayorista. De lo contrario, consulte "El teclado está iluminado, pero no responde a los botones o anillo externo. El motor soplador no se pone en funcionamiento".
6. El motor soplador arranca pero no todos los jets de aire burbujan.	A. La velocidad del motor soplador es demasiado baja.	A. Aumente el valor establecido de velocidad en el motor soplador.
	B. La entrada del motor soplador está obstruida.	B. Limpie la entrada del motor soplador.
	C. El motor soplador no funciona.	C. Reemplace el motor soplador.
	D. La salida del motor soplador está obstruida.	D. Verifique que se haya eliminado la obstrucción.
	E. La válvula de retención no funciona.	E. Reemplace la válvula de retención.
	F. Los jets de aire están tapados.	F. Utilice un cepillo interdental pequeño y vinagre blanco. Sumerja el cepillo en el vinagre, cepille el orificio, enjuague el cepillo en agua limpia y luego utilice el cepillo enjuagado para enjuagar el orificio.
	G. Algunas zonas están cerradas.	G. Ponga todas las zonas en funcionamiento.
7. El motor soplador funciona pero no se forman burbujas de aire.	A. La entrada del motor soplador está obstruida.	A. Limpie la entrada del motor soplador.
	B. Los jets de aire están tapados.	B. Utilice un cepillo interdental pequeño y vinagre blanco. Sumerja el cepillo en el vinagre, cepille el orificio, enjuague el cepillo en agua limpia y luego utilice el cepillo enjuagado para enjuagar el orificio.
	C. La válvula de retención no funciona.	C. Reemplace la válvula de retención.
	D. El motor soplador no funciona.	D. Reemplace el motor soplador.
	E. El control no funciona.	E. Reemplace el control.
8. El motor soplador funciona, se forman burbujas de aire, los controles de zonas funcionan, pero la función de velocidad variable no funciona.	A. La entrada del motor soplador está obstruida.	A. Limpie la entrada del motor soplador.
	B. El arnés de cableado está flojo, desconectado o dañado.	B. Revise que los cables estén correctamente conectados. Reemplace el arnés de cables de ser necesario.
	C. El teclado no funciona.	C. Reemplace el teclado.
	D. El motor soplador no funciona.	D. Reemplace el motor soplador.
	E. El control no funciona.	E. Reemplace el control.

**Procedimiento para resolver problemas (cont.)**

<b>Síntomas</b>	<b>Causas probables</b>	<b>Acción recomendada</b>
9. El motor soplador no se apaga cuando se oprime el botón de encendido/apagado en el teclado.	A. El teclado no funciona.	A. Reemplace el teclado.
	B. El arnés de cableado está flojo, desconectado o dañado.	B. Revise que los cables estén correctamente conectados. Reemplace el arnés de cables de ser necesario.
	C. El control no funciona.	C. Reemplace el control.
10. Una zona no produce burbujas de aire pero otra zona funciona con normalidad.	A. La zona no está seleccionada.	A. Seleccione la zona conforme a las instrucciones en la sección "Confirme el funcionamiento correcto".
	B. La válvula de mariposa no funciona.	B. Reemplace la válvula de mariposa.
	C. El arnés de cableado está flojo, desconectado o dañado.	C. Revise que los cables estén correctamente conectados. Reemplace el arnés de cables de ser necesario.
	D. El teclado no funciona.	D. Reemplace el teclado.
	E. El control no funciona.	E. Reemplace el control.
11. El modo de barrido no funciona.	A. El teclado no funciona.	A. Reemplace el teclado.
	B. El control no funciona.	B. Reemplace el control.
12. Se ha derramado agua o se han producidos daños debajo de la bañera.	A. El desagüe o rebosadero presentan fugas.	A. Repare o reemplace el montaje del desagüe conforme a las instrucciones del fabricante.
	B. La pared, cubierta, y/o la puerta de la ducha no se han sellado correctamente.	B. Aplique sellador de silicona en las juntas entre la bañera y la pared, cubierta o puerta.
	C. Los canales de aire acrílicos tienen grietas.	C. Consulte al fabricante.
13. La bañera no se purga automáticamente.	A. Los cables del sensor de nivel están desconectados.	A. Conecte los cables del sensor de nivel.

**Cromoterapia (si está equipada)**

<b>Síntomas</b>	<b>Causas probables</b>	<b>Acción recomendada</b>
14. Las luces de cromoterapia no funcionan.	A. Los cables/conexiones están flojos, desconectados o dañados.	A. Revise que los cables estén correctamente conectados. Reemplace los cables de ser necesario.
	B. El control no funciona.	B. Reemplace el control.
15. El ciclo de cromoterapia no funciona.	A. El montaje del equipo de cromoterapia no funciona.	A. Reemplace el montaje del equipo de cromoterapia.



USA/Canada: 1-800-4KOHLER

México: 001-800-456-4537

[kohler.com](http://kohler.com)

THE BOLD LOOK  
OF **KOHLER**®

©2011 Kohler Co.

1035472-2-J