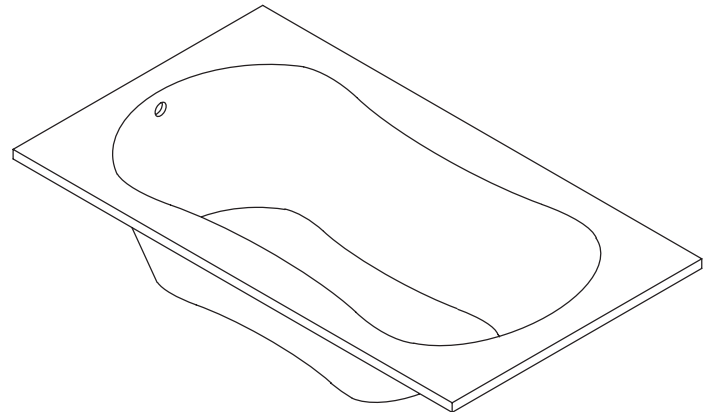


FEATURES

- 60" (152.4cm) x 32" (76.2cm) x 18-1/8" (46cm)
- Acrylic
- Drop-in or three wall alcove
- Molded lumbar supports and armrests
- Optional K-1284 separate apron
- Optional K-1491 removable pillow

K-1107, K-1107-L/-R



CODES/STANDARDS APPLICABLE

Specified model meets or exceeds the following:

- ANSI Z124.1
- IAPMO/UPC
- State of Massachusetts

COLORS/FINISHES

- 0 White
- Other Refer to Fixtures Price Book for additional colors

Accessories:

- CP Polished Chrome
- PB Polished Brass

SPECIFIED MODEL:

Model	Description	Colors/Finishes	
K-1107	Bath, drop-in (shown)	<input type="checkbox"/> 0 White	<input type="checkbox"/> Other_____
K-1107-L	Bath, left drain, tile flange	<input type="checkbox"/> 0 White	<input type="checkbox"/> Other_____
K-1107-R	Bath, right drain, tile flange	<input type="checkbox"/> 0 White	<input type="checkbox"/> Other_____
Recommended Accessories			
K-11677	Drain	<input type="checkbox"/> CP	<input type="checkbox"/> PB
Optional Accessories			
K-1284	Separate apron with removable panel for front access	<input type="checkbox"/> 0 White	<input type="checkbox"/> Other_____
K-1491	Pillow	<input type="checkbox"/> 0 White	<input type="checkbox"/> Other_____

PRODUCT SPECIFICATION:

The bath shall be 60" (152.4cm) in length, 32" (76.2cm) in width, and 18-1/8" (46cm) in height. Bath shall be made of acrylic, drop-in or three wall alcove installation. Bath shall have molded lumbar supports and armrests. Bath shall have optional K-1284 separate apron. Bath shall be Kohler Model K-1107-_____-_____.

PROFLEX™ 6032

PRODUCT INFORMATION

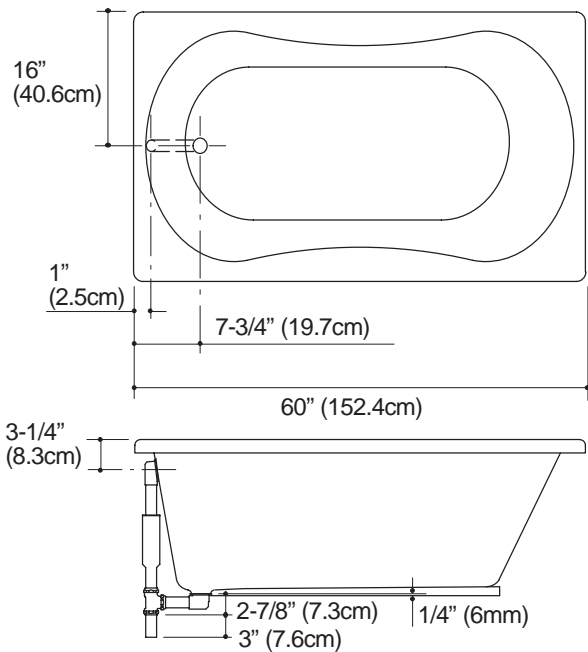
Fixture*:	basin area	top area	weight
Bathing well	46" (116.8cm) x 20" (50.8cm)	55" (139.7cm) x 22" (55.9cm)	38 lbs. (17.2kg)
	water depth	capacity	
To overflow	12-1/2" (31.8cm)	49 gal. (185.5L)	

* Approximate measurements for comparison only.

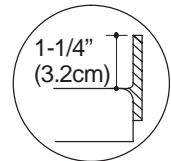
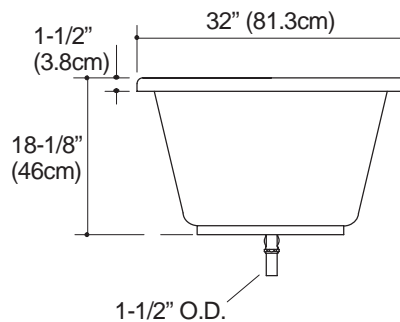
INSTALLATION NOTES

Floor support under bath must provide for a minimum of 80 lbs./square foot (390 Kg./square meter) loading.

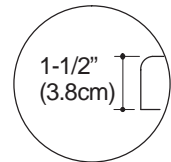
The apron must be installed before the finish floor and wall materials are installed.



No change in measurements if connected with drain illustrated. (K-11677 or K-11677M)	
Drop-in cut-out	58-1/2" (148.6cm) x 30-1/2" (77.5cm)



**TILE FLANGE
DETAIL**



**DROP-IN RIM
DETAIL**

PRODUCT DIAGRAM