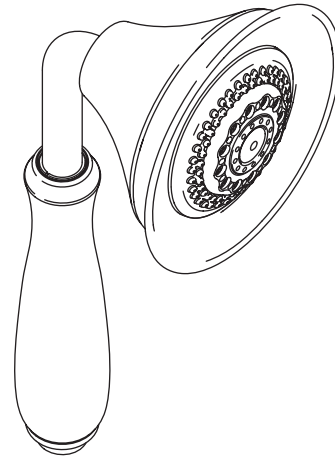


Features

- Adjustable oversized sprayface
- MasterClean™ sprayface resists hard water buildup and is easy to clean
- Ergonomic sprayhead pivots for targeted hydromassage or for rinsing the shower enclosure
- Complements Forte® faucet line
- 2.5 gallon (9.5 L) per minute flow rate [K-10286]
- Full-coverage, therapeutic massage, soft-aerated spray, and ADA compliant water-saving eco spray options [K-10286]
- Ecoefficient™ 1.75 gallon (6.6 L) per minute flow rate [K-10298]
- Wide-coverage, medium-coverage, and forceful utility spray options [K-10298]

MULTI-FUNCTION HANDSHOWER
K-10286
ALSO K-10298

ADA



Codes/Standards Applicable

Specified model meets or exceeds the following:

- ASME 112.18.1/CSA B125
- IAPMO/UPC
- CSA International
- ADA [K-10286 only]

Colors/Finishes

- CP: Polished Chrome
- Other: Refer to Price Book for additional colors/finishes

Accessories

- CP: Polished Chrome

Specified Model

Model	Description	Colors/Finishes	
K-10286	Handshower – 2.5 gallon (9.5 L) per minute flow rate	<input type="checkbox"/> CP	<input type="checkbox"/> Other ____
K-10298	Handshower – Ecoefficient 1.75 gallon (6.6 L) per minute flow rate	<input type="checkbox"/> CP	<input type="checkbox"/> Other ____
Required Accessory			
K-8593	72" (182.9 cm) metal shower hose OR	U	<input type="checkbox"/> CP
K-9514	60" (152.4 cm) metal shower hose		<input type="checkbox"/> CP

Product Specification

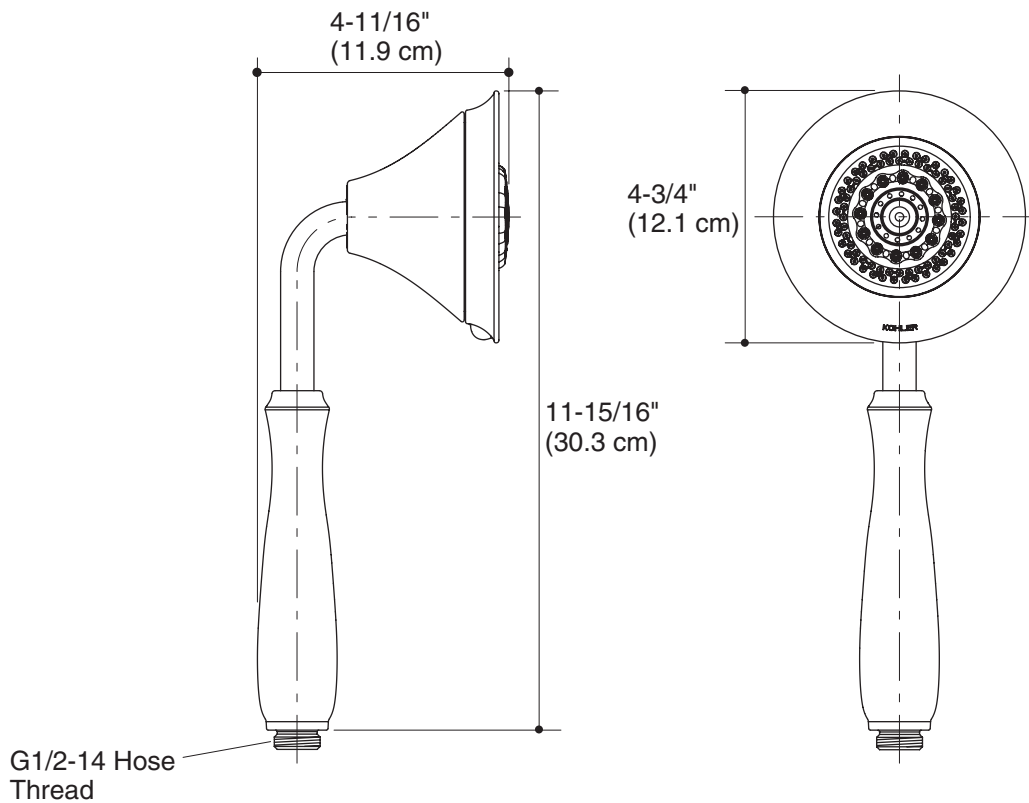
Multi-function handshower shall feature an adjustable oversized sprayface. Product shall feature a Masterclean sprayface which resists hard water buildup and is easy to clean. Product shall feature an ergonomic sprayhead which pivots for targeted hydromassage or for rinsing the shower enclosure. Product shall be available with a 2.5 gallon (9.5 L) per minute flow rate [K-10286] or Ecoefficient 1.75 gallon (6.6 L) per minute flow rate [K-10298]. Product shall feature full-coverage, therapeutic massage, soft-aerated spray, and ADA compliant water-saving eco spray options [K-10286] or wide-coverage, medium-coverage, and forceful utility spray options [K-10298]. Handshower shall complement the Forté faucet line. Product shall be Kohler Model K-____-____.

FORTÉ®

Installation Notes

Install this product according to the installation guide.

Plumbing codes require an atmospheric vacuum breaker (such as Kohler Model K-9660) be installed in line with handshowers. Please consult with local plumbing officials.



Product Diagram