

### Features

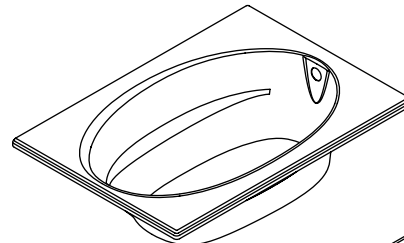
- Acrylic
- Rectangular shape
- Molded lumbar supports and armrests
- Drop-in, 4-side integral flange

ACRYLIC BATH  
**K-1113**  
 ALSO K-1113-F

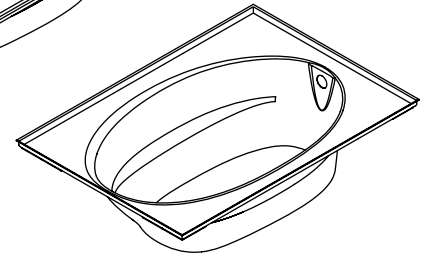
### Codes/Standards Applicable

Specified model meets or exceeds the following:

- ANSI Z124.1
- IAPMO/UPC



K-1113



K-1113-F

### Colors/Finishes

- 0: White
- Other: Refer to Price Book for additional colors/finishes

### Accessories:

- CP: Polished Chrome

### Specified Model

Model	Description	Colors/Finishes	
K-1113	Drop-in rim style	<input type="checkbox"/> 0	<input type="checkbox"/> Other _____
K-1113-F	Drop-in, 4-side integral flange	<input type="checkbox"/> 0	<input type="checkbox"/> Other _____
Recommended Accessory			
K-11677	Drain <b>OR</b>	<input type="checkbox"/> CP	<input type="checkbox"/> Other _____
K-7166	Drain	<input type="checkbox"/> CP	<input type="checkbox"/> Other _____

### Product Specification:

The rectangular shape drop-in bath shall be 60" (152.4 cm) in length, 42" (106.7 cm) in width, and 21" (53.3 cm) in height. Bath shall be made of acrylic. Bath shall be available as drop-in rim style or drop-in with 4-side integral flange. Bath shall have molded lumbar supports and armrests. Bath shall be Kohler Model K-1113-\_\_\_\_ or K-1113-\_\_\_\_-\_\_\_\_.

# WINDWARD™

## Technical Information

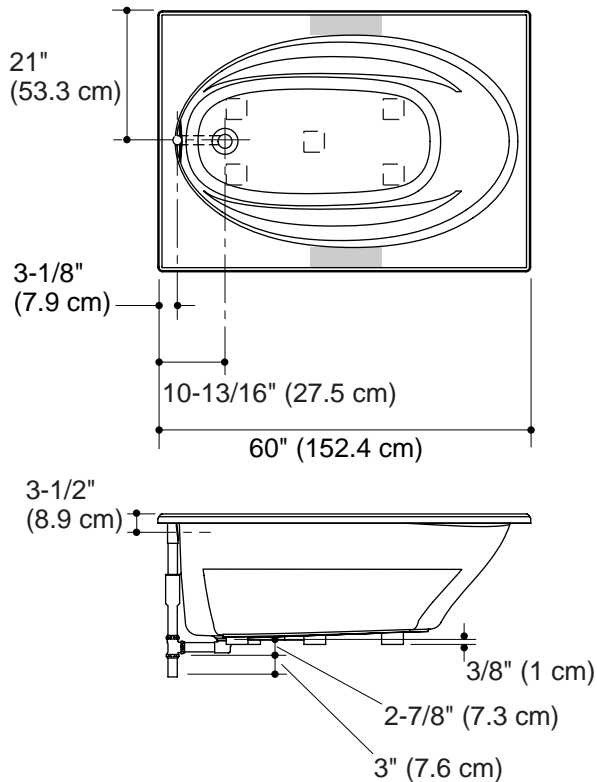
Fixture*:	basin area	top area	weight
Bathing well	43" (109.2 cm) x 24-5/8" (62.5 cm)	53-1/2" (135.9 cm) x 32-1/8" (81.6 cm)	80 lbs (36 kg)
	water depth	capacity	
To overflow	15" (38.1 cm)	57 gal (215.9 L)	
* Approximate measurements for comparison only.			
Drop-in cut-out dimensions:			
58-1/2" (148.6 cm) x 40-1/2" (102.9 cm)			

## Installation Notes

Install this product according to the installation guide.

Floor support under the bath must provide for a minimum of 80 lbs/square foot (390 kg/square meter) loading.

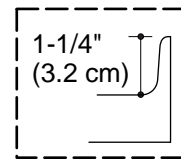
If installing a rim-mount faucet, make sure there is no interference with the drain overflow before drilling any holes. Consult local and national codes for minimum air gap requirements if installing a spout on the faucet deck.



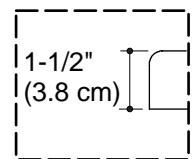
No change in measurements if connected with drain illustrated. (K-11677 or K-11677M)



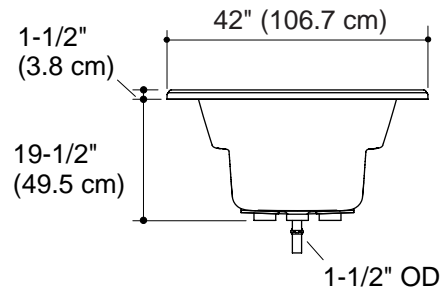
Recommended faucet area



Tile Flange Detail



Drop-In Rim Detail



## Product Diagram