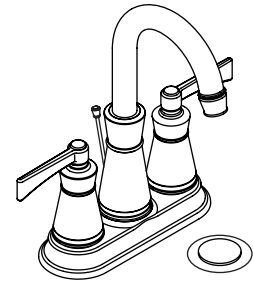


**CENTERSET LAVATORY FAUCET
K-11075**

ADA



Features

- Brass construction
- Cast brass waterway
- Brass valve bodies
- Quarter-turn washerless ceramic disc valves
- Lower flow aerator options are available (refer to the Kohler Price Book)
- For 4" (10.2 cm) centers
- Lever handles are ADA compliant
- Pop-up drain with tailpiece
- 4" (10.2 cm) spout reach
- 2.2 gallons (8.3 L) per minute maximum flow rate

Codes/Standards Applicable

Specified model meets or exceeds the following:

- ADA
- ASME A112.18.1/CSA B125.1
- IAPMO/UPC
- NSF 61
- Energy Policy Act of 1992
- ICC/ANSI A117.1
- CSA International

Colors/Finishes

- CP: Polished Chrome
- Other: Refer to Price Book for additional colors/finishes

Specified Model:

Model	Description	Color/Finish	
K-11075	Lavatory faucet	<input type="checkbox"/> CP	<input type="checkbox"/> Other _____

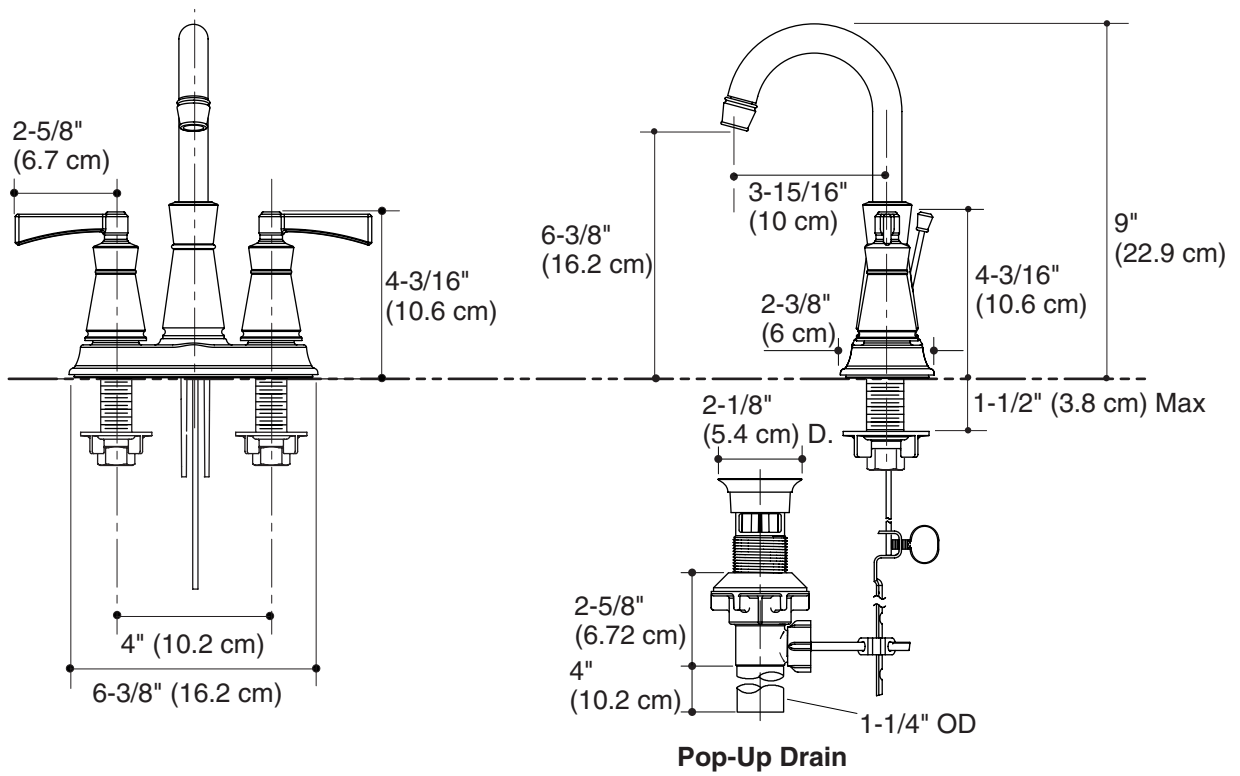
PRODUCT SPECIFICATION

Two-handle centerset lavatory faucet shall be of brass construction with a cast brass waterway. Faucet shall feature brass valve bodies. Faucet shall feature quarter-turn washerless ceramic disc valves, assuring positive handle stop positioning. Faucet shall have a 2.2 gallons (8.3 L) per minute flow rate. Product shall have lower flow aerator options. Product shall include 4" (10.2 cm) centers, 4" (10.2 cm) spout, pop-up drain with tailpiece, and lever handles. Lever handles are ADA compliant. Faucet shall be Kohler Model K-11075-_____.

ARCHER™

Installation Notes

Install this faucet following the installation instructions provided.



Product Diagram