

Product Information

Applicable product:	
Bath – drop-in (shown)	K-1107
Bath – tile flange, left drain	K-1107-L
Bath – tile flange, right drain	K-1107-R
Fixture*:	
Basin area:	
Basin area, bottom	46" (116.8 cm) x 20" (50.8 cm)
Basin area, top	55" (139.7 cm) x 22" (55.9 cm)
Weight	38 lbs (17.2 kg)
To overflow:	
Water depth	12-1/2" (31.8 cm)
Capacity	49 gal (185.5 L)
* Approximate measurements for comparison only.	
Recommended accessories:	
Swiftflo™ bath drain	K-11677
Optional accessories:	
Removable apron	K-1284
Pillow	K-1491

Installation Notes

Install this product according to the installation guide.

Floor support under bath must provide for a minimum of 36 lbs/square foot (177 kg/square meter) loading.

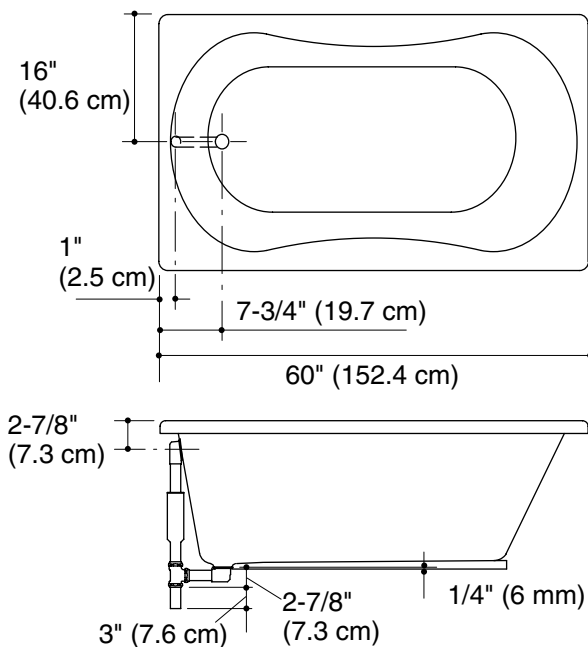
The apron must be installed before the finished floor and wall materials are installed.

Will comply with **ADA** when installed per Section 607 Bathtubs of the Act.

Will comply with **CSA B651** when installed per Clause 4.4.7 of the standard.

Will comply with **OBC** when installed per Clause 3.8.3.13.

Fixture conforms to ANSI Standard Z124.1.2. All dimensions are nominal.



No change in measurements if connected with drain illustrated. (K-11677 or K-11677M)

