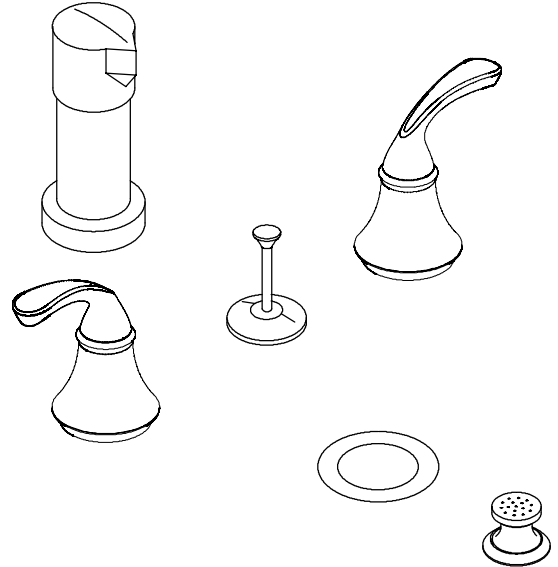


**BIDET FAUCET
K-10279**

FEATURES

- Metal construction
- Flexible connections
- Reversible quarter-turn washerless ceramic disc valves
- Pop-up drain with lift rod and tailpiece
- Lever handles
- Vertical spray
- Fixture-mount transfer valve/vacuum breaker



CODES/STANDARDS APPLICABLE



Specified model meets or exceeds the following:

- ASME/ANSI A112.18.1M
- IAPMO/UPC
- CSA B125

COLORS/FINISHES

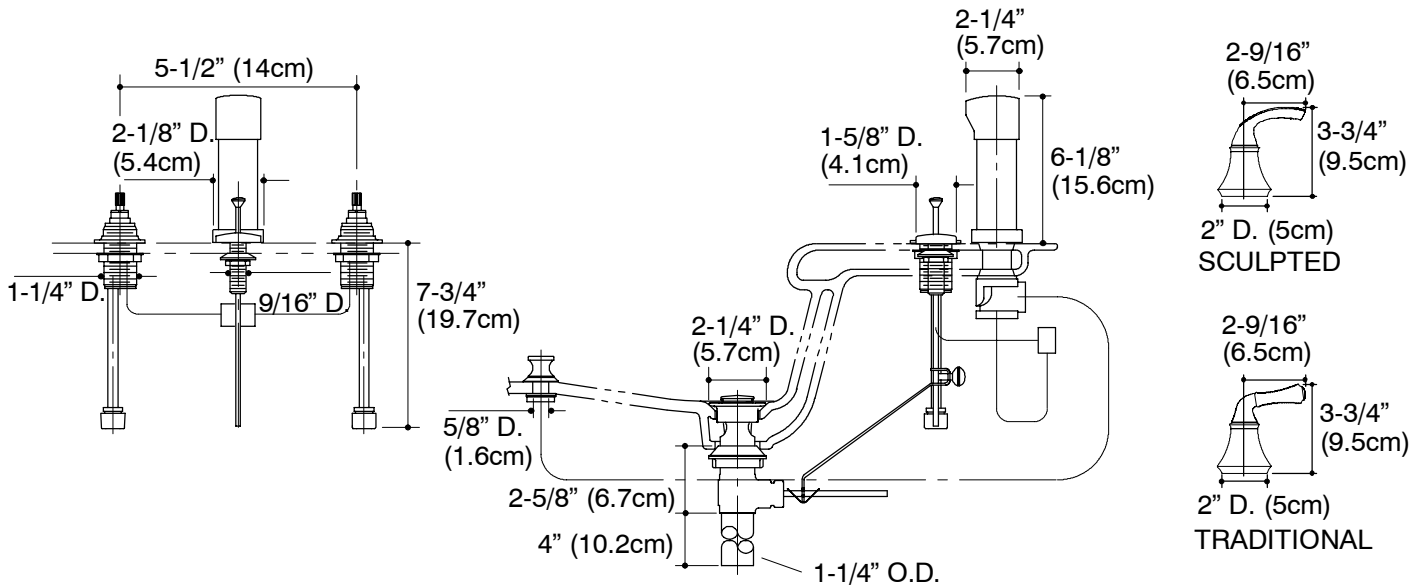
- CP Polished Chrome
- PB Polished Brass

SPECIFIED MODEL:

Model	Description	 ADA	 ADA
K-10279-4	Forté™ Sculpted Lever Handle (shown)	<input type="checkbox"/> CP <input type="checkbox"/> Other _____	
K-10279-4A	Forté™ Traditional Lever Handle		<input type="checkbox"/> CP <input type="checkbox"/> Other _____

PRODUCT SPECIFICATION:

Two-handle fixture-mount bidet faucet shall be of metal construction. Faucet shall feature reversible quarter-turn washerless ceramic disc valves, assuring positive handle stop positioning. Product shall include flexible connections, pop-up drain with lift rod and tailpiece, lever handles, vertical spray, and fixture-mount transfer valve/vacuum breaker. Faucet shall be Kohler Model K-_____-_____.



PRODUCT DIAGRAM