

Hatteras Bay™ Patio

A Kichler® Décor™ ceiling fan

Designed to coordinate with a popular Kichler Lighting collection.



Includes our new
CoolTouch™ Control System
Looks permanent, but goes wherever you go!
U.S. Patent Pending

KICHLER
LIGHTING 

Kichler® Lighting
7711 East Pleasant Valley Road
P.O. Box 318010
Cleveland, Ohio 44131-8010

Customer Service
866.558.5706
8:30 AM to 5:00 PM EST,
Monday - Friday

Instruction Manual

KICHLER
LIGHTING 

1. SAFETY RULES

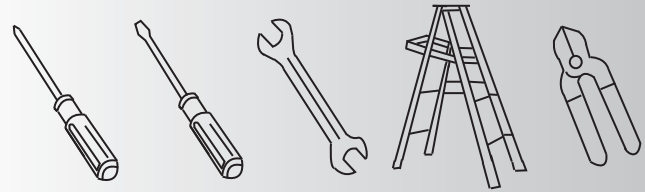
1. To reduce the risk of electric shock, insure electricity has been turned off at the circuit breaker or fuse box before beginning.
 2. All wiring must be in accordance with the National Electrical Code and local electrical codes. Electrical installation should be performed by a qualified licensed electrician.
 3. **WARNING:** Suitable for use with solid-state speed controls.
 4. **WARNING:** To reduce the risk of personal injury, use only the two steel screws (and lock washers) provided with the outlet box for mounting to the outlet box. Most outlet boxes commonly used for the support of lighting fixtures are not acceptable for fan support and may need to be replaced, consult a qualified electrician if in doubt.
- WARNING**
 TO REDUCE THE RISK OF FIRE, ELECTRIC SHOCK OR PERSONAL INJURY, MOUNT FAN TO OUTLET BOX MARKED "ACCEPTABLE FOR FAN SUPPORT".
5. The outlet box and support structure must be securely mounted and capable of reliably supporting a minimum of 50 pounds. Use only CUL Listed outlet boxes marked "FOR FAN SUPPORT".
 6. The fan must be mounted with a minimum of 7 feet clearance from the trailing edge of the blades to the floor.
 7. To operate the reverse function on this fan, press the reverse button while the fan is running.
 8. **WARNING:** Use only with light kit marked "Suitable for Use in Damp Location Locations".
 9. Avoid placing objects in the path of the blades.
 10. To avoid personal injury or damage to the fan and other items, be cautious when working around or cleaning the fan.
 11. Do not use water or detergents when cleaning the fan or fan blades. A dry dust cloth or lightly dampened cloth will be suitable for most cleaning.
 12. After making the electrical connections, spliced conductors should be turned upward and pushed carefully up into outlet box. The wires should be spread apart with the ground wire and white (common) wire to one side with the black (load) wire to the other side of the outlet box.
 13. Electrical diagrams are reference only. Light kits that are not packed with the fan must be CUL Listed and marked suitable for use with the model fan you are installing. Switches must be CUL General Use Switches. Refer to the Instructions packaged with the light kits and switches for proper assembly.
- WARNING**
 TO REDUCE THE RISK OF PERSONAL INJURY, DO NOT BEND THE BLADE BRACKETS (ALSO REFERRED TO AS FLANGES) DURING ASSEMBLY OR AFTER INSTALLATION. DO NOT INSERT OBJECTS IN THE PATH OF THE BLADES.
- Special Notice**

This appliance is equipped with a "Wattage Limiting Device" required by the United States Department of Energy. The device has been installed at the factory and can not be removed.

Installing Lamps in excess of 190 total watts will disable the unit's light fixture. If this should happen, you will need to reset the lighting fixture by turning the power off to the ceiling fan and/or light fixture, reinstalling lamps totaling less than 190 watts and then turning the power back on.

2. TOOLS AND MATERIALS REQUIRED

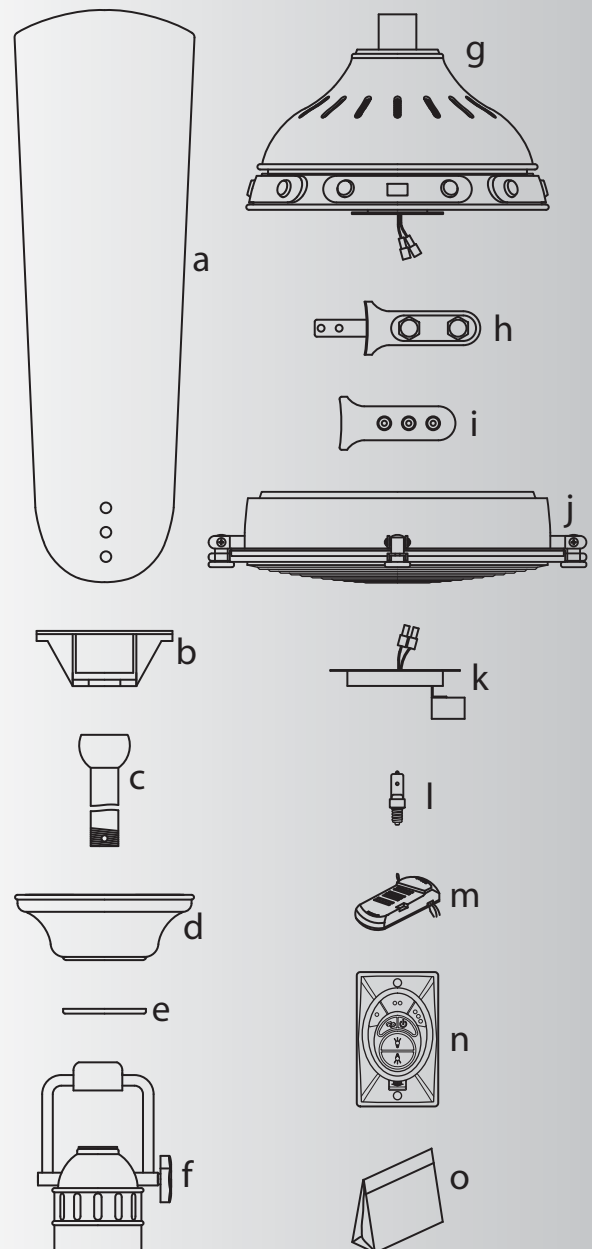
- Philips screw driver
- Blade screw driver
- 11 mm wrench
- Step ladder
- Wire cutters

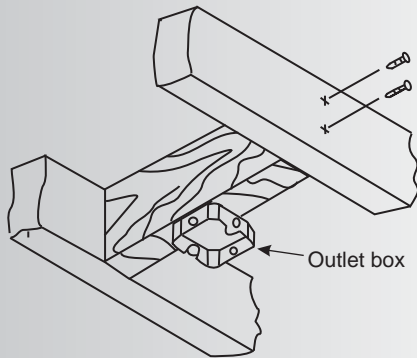
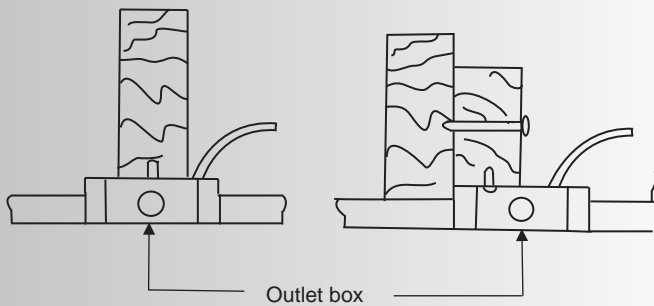
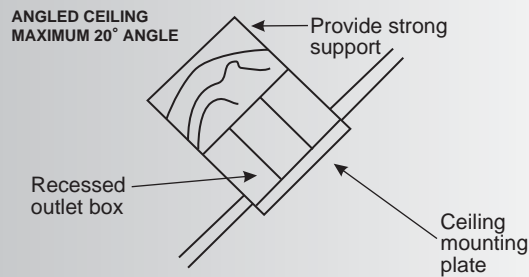
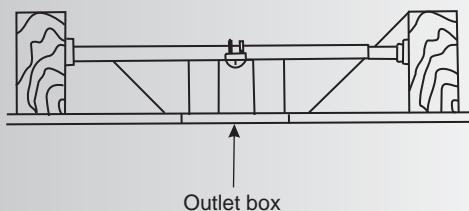


3. PACKAGE CONTENTS

Unpack your fan and check the contents. You should have the following items:

- a. Fan blades (5)
- b. Canopy & Ceiling mounting bracket
- c. Ball/downrod assembly
- d. Canopy
- e. Decorative canopy bottom cover
- f. Coupling cover
- g. Fan motor assembly
- h. Set of blade brackets (5)
- i. Blade bracket medallions (5)
- j. Light fixture
- k. Light plate
- l. 40W T3 halogen bulbs (4)
- m. Receiver
- n. CoolTouch™ Control System
- o. Part bag contents
 - 1) Mounting hardware:
wood screw, flat washer, spring washer, star washers (2), wire nuts (3), machine screws (2), washers (2), screws (2)
 - 2) Blade attachment hardware:
screws (17), washers (17), rubber washers (17)
 - 3) Safety cable hardware:
wood screw, lock washer, flat washer
 - 4) Balance Kit




Fig. 1

Fig. 2

Fig. 3

Fig. 4

4. MOUNTING OPTIONS

If there isn't an existing UL (cUL for Canadian Installation) listed mounting box, then read the following instructions. Disconnect the power by removing fuses or turning off circuit breakers.

Secure the outlet box directly to the building structure. Use appropriate fasteners and building materials. The outlet box and its support must be able to fully support the moving weight of the fan (at least 50 lbs). Do not use plastic outlet boxes.

NOTE: If you are installing the ceiling fan on a sloped (vaulted) ceiling, you may need a longer downrod to maintain proper clearance between the tip of the blade and the ceiling. A minimum clearance of 12" is suggested for optimal operation.

NOTE: Depending on the location you have selected for installation, you may need to purchase and install a "Joist Hanger" for the support of the outlet box. Make sure the joist hanger you purchase has been designed for use with ceiling fans. (Fig. 4)

5. HANGING THE FAN

NOTE: This ceiling fan is supplied with two types of hanging assemblies; the standard ceiling installation using a downrod and canopy mounting system and a "close to ceiling" Canopy ONLY system. The "close-to-ceiling" installation is recommended in rooms with less than 8-foot ceilings or in areas where additional space is desired from the floor to the fan blades. Once you have selected which mounting system you will use, proceed with the following instructions. Where necessary, each section of the instructions will note the different procedures to follow for the two types of mounting.

REMEMBER to turn off the power before you begin.

To properly install your ceiling fan, follow the steps below.

Step 1. Pass the 120 volt supply wires from the ceiling outlet box through the center of the ceiling mounting bracket. (Fig.5)

Step 2. Attach the ceiling mounting bracket to the outlet box using the screws and washers included with the outlet box. (Fig. 5)

STANDARD CEILING INSTALLATION

Step 1. Remove the hanger ball from the downrod assembly by loosening the set screw, removing the cross pin and sliding the ball off the rod. (Fig.6)

Step 2. Loosen the two set screws and remove the hitch pin and retaining clip from the coupling on top of the motor assembly. (Fig. 6)

Step 3. Carefully feed the electrical lead wires from the fan up through the downrod. Thread the downrod into the coupling until the Hitch pin holes are aligned.

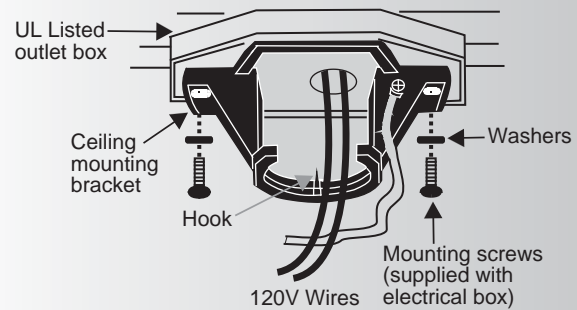


Fig. 5

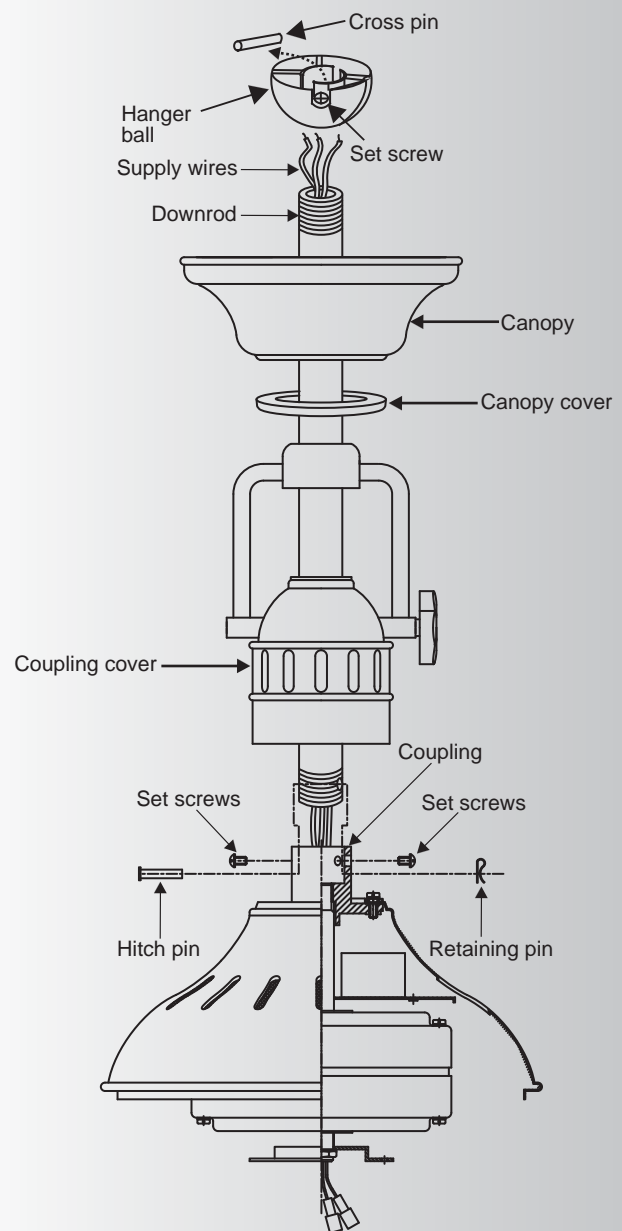
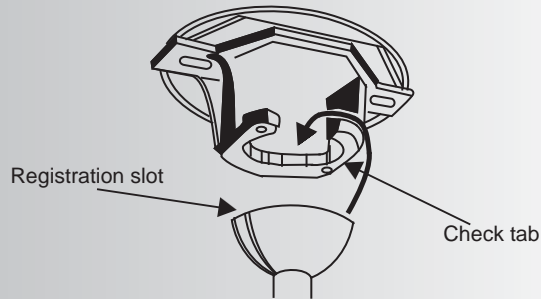
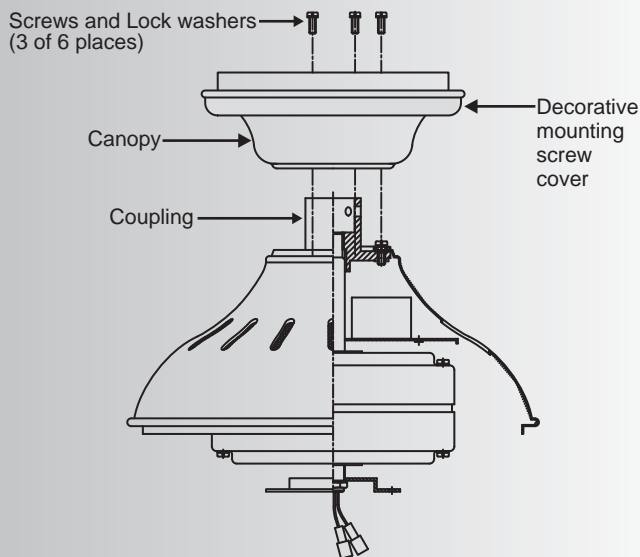
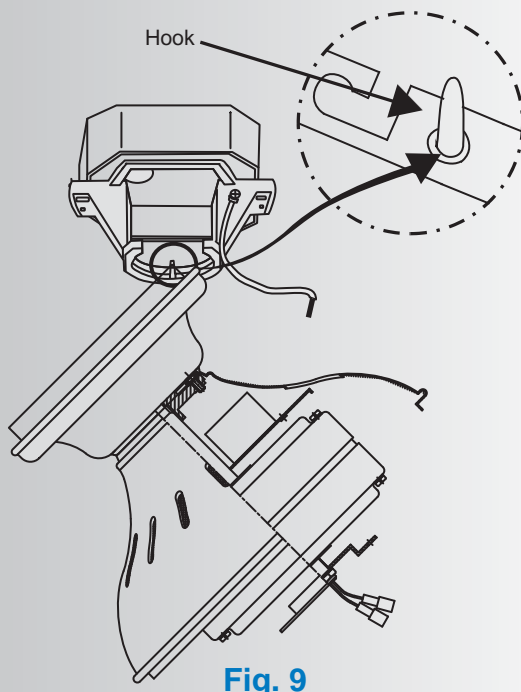


Fig. 6


Fig. 7

Fig. 8

Fig. 9

Next, replace the hitch pin and retaining clip. Tighten both set screws. (Fig. 6)

Step 4. Slip the coupling cover, canopy cover and canopy onto the downrod.

Thread the hanger ball onto the downrod, insert the cross pin through the downrod and tighten. Now tighten the set screw. (Fig. 6)

Step 5. Lift the motor assembly into position and place the hanger ball into the ceiling mounting bracket.

Rotate the entire assembly until the "Check Tab" has dropped into the "Registration Slot" and seats firmly. (Fig. 7)

The entire motor assembly should not rotate (left or right) when seated properly.

WARNING: Failure to properly seat the "Check Tab" can damage the ceiling fan during operation.

CLOSE-TO-CEILING INSTALLATION

Step 1. Remove three of the six screws and lock washers (every other one) from the collar on top of the motor assembly. Place the ceiling fan canopy over the collar and align the mounting holes with the holes in the collar. Attach the canopy with the three screws and lock washers previously removed. (Fig. 8)

WARNING: Failure to completely tighten the three mounting screws in step 1 could result in the fan possibly falling from the ceiling.

Step 2. Push the decorative mounting screw cover down and off the canopy letting it rest on top of the motor housing (Fig. 8) and hang the fan on the mounting bracket by inserting the hook on the inside edge of the mounting bracket through one of the screw holes in the ceiling canopy. (Fig. 9) This will allow you to have both hands free to make the wiring connections.

6. INSTALLATION OF SAFETY SUPPORT (for Canadian Installation ONLY)

A safety support cable is provided to help prevent the ceiling fan from falling, please install it as follows.

Step 1. Attach the provided wood screw and washer to the ceiling joist next to the mounting bracket but do not tighten. (Fig. 10)

Step 2. Adjust the length of the safety cable to reach the screw and washer by pulling the extra cable through the cable clamp until the overall length is correct. Put the end of the cable back through the cable clamp, forming a loop at the end of the cable. Tighten the cable clamp securely. Now, put the loop in the end of the safety cable over the wood screw and under the washer. Tighten the wood screw securely.

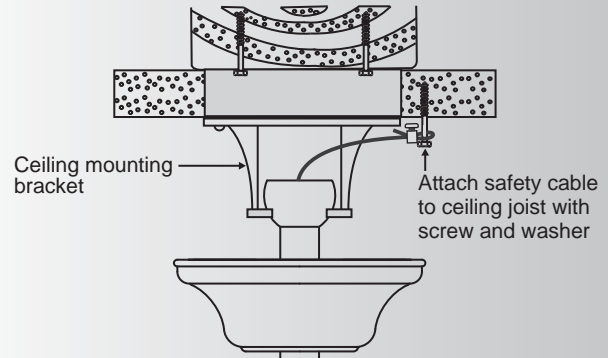


Fig. 10

7. ELECTRICAL CONNECTIONS

WARNING: To avoid possible electrical shock, be sure you have turned off the power at the main circuit panel.

Follow the steps below to connect the fan to your household wiring. Use the wire connecting nuts supplied with your fan. Secure the connectors with electrical tape. Make sure there are no loose wire strands or connections.

NOTE: The CoolTouch™ Control System is equipped with 16 possible frequency combinations to prevent interference from or with other remote control units. The frequency switches on your receiver and transmitter have been preset at the factory. Please recheck to make sure the switches on transmitter and receiver are set to the same position, any combination of settings will operate the fan as long as the transmitter and receiver are set to the same position. (Fig. 11)

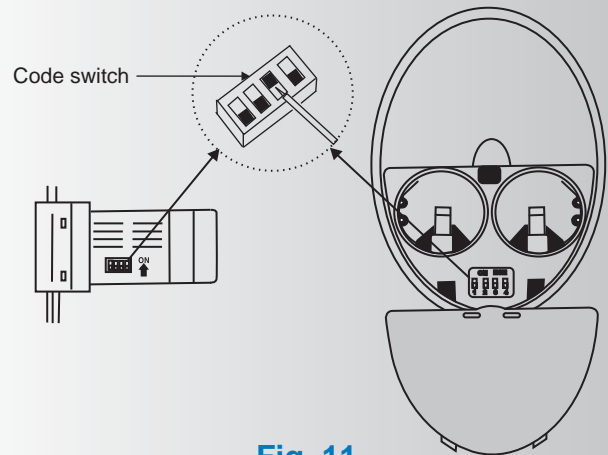


Fig. 11

Step 1. Insert the receiver into the ceiling mounting bracket with the flat side of the receiver facing the ceiling. (Fig. 12)

For best performance, make sure the Black Antenna, on the end of the receiver, remains extended and not tangled with any of the electrical wires.

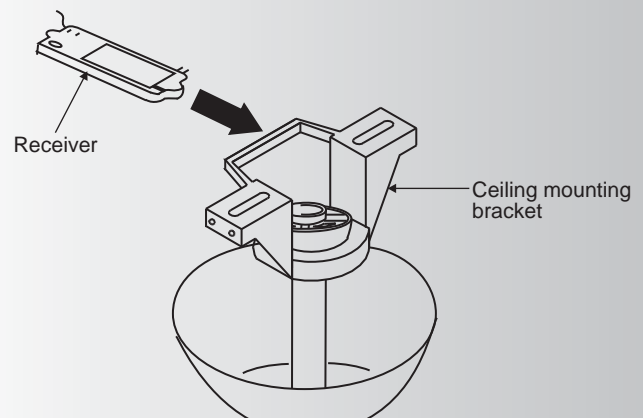


Fig. 12

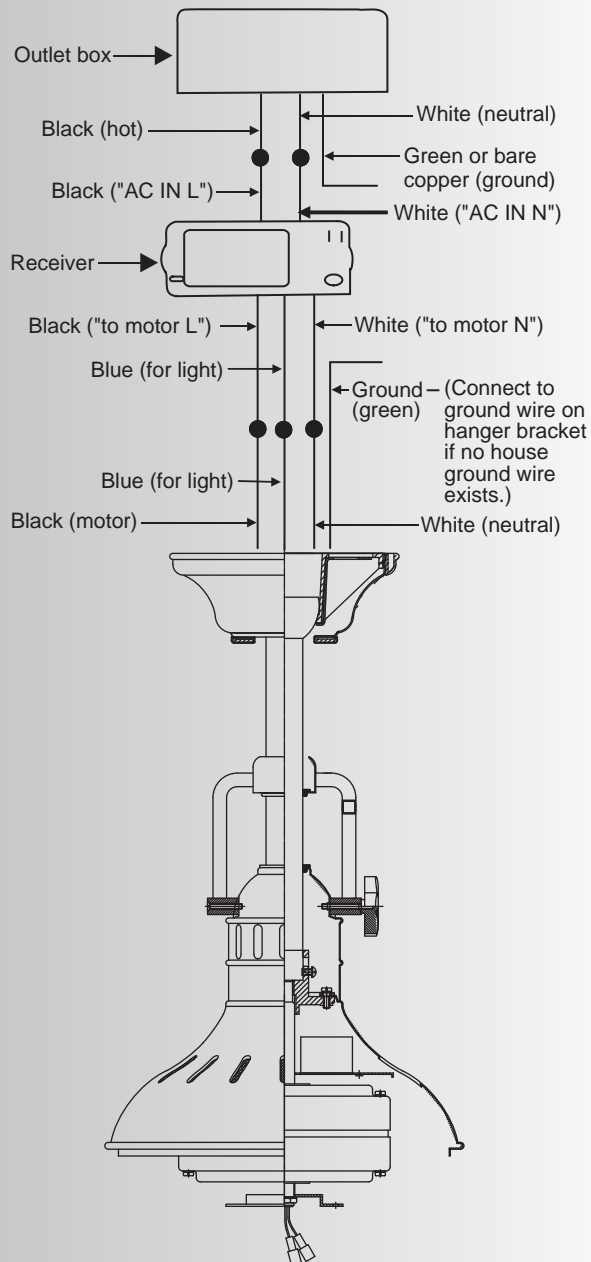


Fig. 13

Step 2. Motor to Receiver Electrical Connections: (Fig. 13)

Connect the black wire from the fan to the black wire marked "TO MOTOR L" on the receiver.

Connect the white wire from the fan to the white wire marked "TO MOTOR N" on the receiver.

Connect the blue wire from the fan to the blue wire marked "FOR LIGHT" on the receiver.

Secure each set of wire connections with the plastic wire nuts provided in the parts bag.

Step 3. (Fig. 13) Receiver to House Supply Wires Electrical Connections:

Connect the black (hot) wire from the ceiling to the black wire marked "AC in L" from the receiver.

Connect the white(neutral) wire from the ceiling to the white wire marked "AC in N" from the Receiver.

Secure the wire connections with the plastic wire nuts provided.

Step 4. (Fig. 13) If your outlet box has a ground wire (green or bare copper) connect it to the fan ground wires; otherwise connect the hanging bracket ground wire to the mounting bracket. Secure the wire connection with a plastic nut provided. After connecting the wires, spread them apart so that the green and white wires are on one side of the outlet box and black and blue wires are on the other side. Carefully tuck the wire connections up into the outlet box.

Note: Fan must be installed at a maximum distance of 30 feet from the CoolTouch™ Remote Transmitter for optimal signal transmission between the transmitter and the fan's receiving unit.

8. FINISHING THE INSTALLATION

STANDARD CEILING INSTALLATION

Step 1. Tuck all the connections neatly into the ceiling outlet box.

MAKE SURE the Black Antenna wire on the receiver remains free from all other wires.

Step 2. Slide the canopy up to ceiling and over the two screws on hanger bracket. Rotate canopy clockwise, next, while holding the canopy with one hand, slide the canopy cover over the screws and rotate clockwise until tight. **NOTE:** Adjust the canopy screws as necessary until the canopy and canopy cover are snug. (Fig.14)

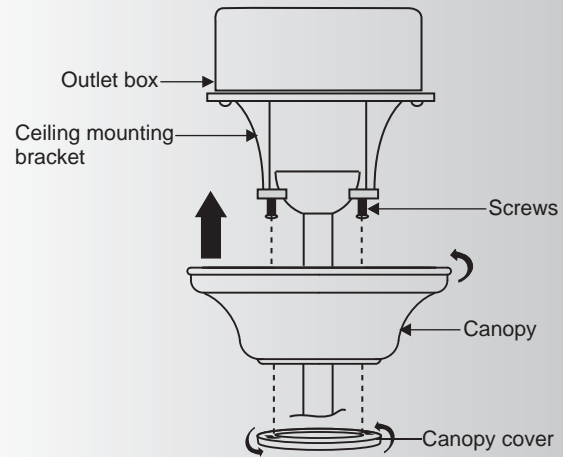


Fig. 14

CLOSE-TO-CEILING INSTALLATION

Remove the fan from the hook on the ceiling mounting bracket. Attach the fan assembly to the ceiling mounting bracket using 4 screws at the top edge of the canopy. Insert each screw through the canopy mounting hole and into the mounting bracket. Tighten all screws securely.

Slide the decorative mounting screw cover up to cover the mount screw heads. (Fig. 15)

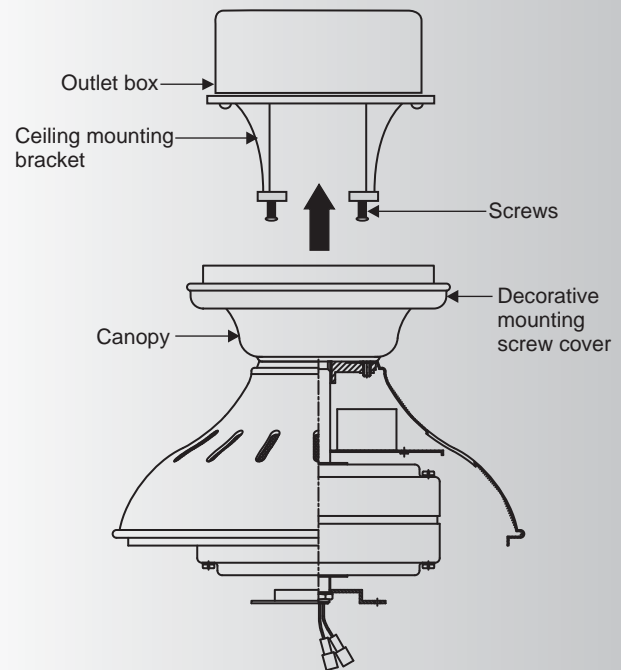
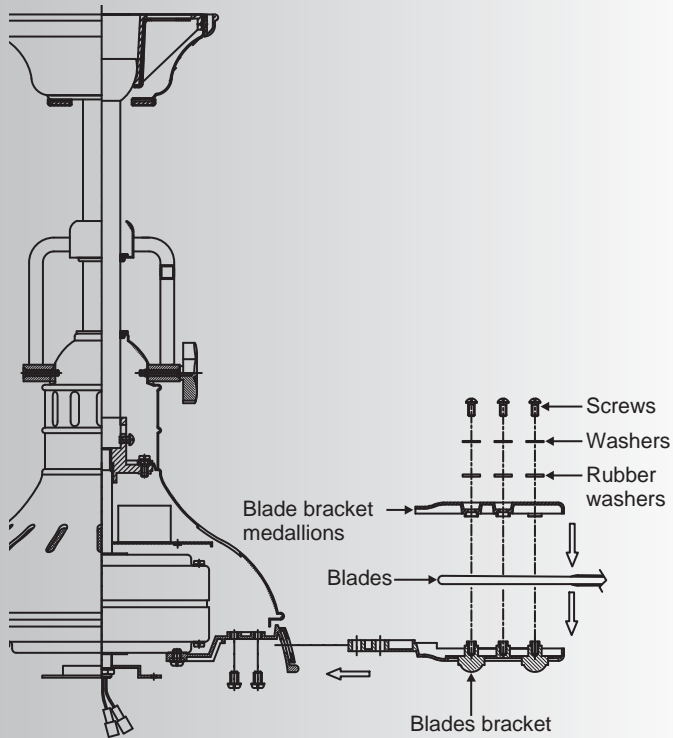


Fig. 15


Fig. 16

9. ATTACHING THE FAN BLADES

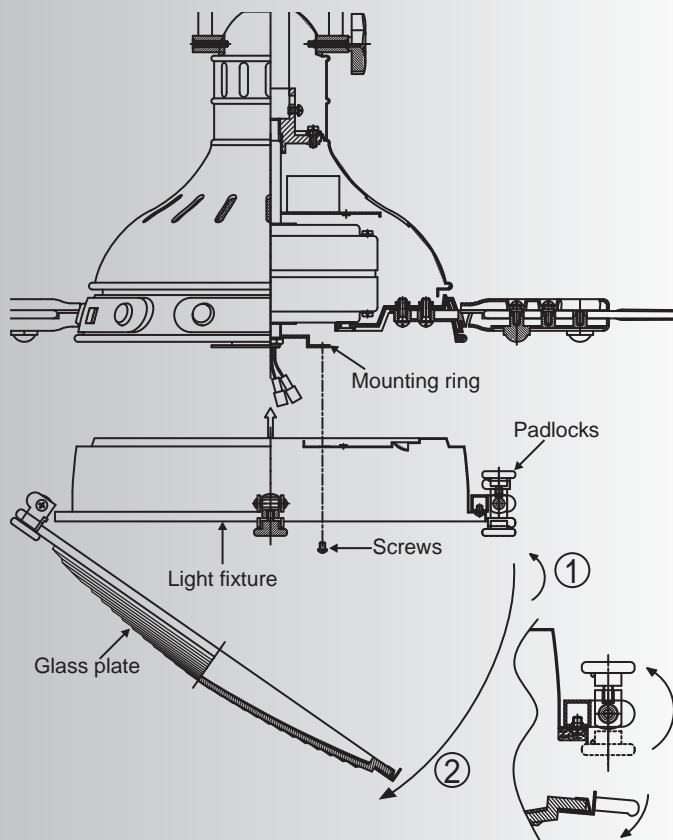
CAUTION: Remove the five rubber shipping blocks attached to the face of the motor. These blocks keep the motor from shifting during shipping and **MUST** be removed during installation.

Step 1. Place a blade between a blade bracket and a blade bracket medallion. Attach all three pieces using the screws, metal washers and fiber washers provided. (Fig. 16)

Make sure the blade is straight when set on the blade bracket and the medallion. Tighten each mounting screw and then repeat this procedure for each blade.

Step 2. Attach each blade assembly to the motor using two mounting screws for each blade assembly. (Fig. 16)

NOTE: Make sure these mounting screws are securely tightened.


Fig. 17

10. INSTALLING THE LIGHT FIXTURE

1. Loosen the padlock on one side of the light fixture allowing the lens holder to open.

NOTE: Be careful not to drop the lens as the holder opens and then carefully lay it aside before continuing.

2. Loosen the two screws on the mounting ring attached to the motor shaft and "remove" and save the third screw. (Fig. 17)

3. Place the key hole slots on the light fixture over the two screws previously loosened on the mounting ring.

Turn the light fixture until it locks in place at the narrow section of the key hole slots.

Tighten both key hole screws and replace the third screw previously removed and tighten securely.

11. INSTALLING THE LIGHT FIXTURE

Step 1. Loosen the three mounting screws on the inside of the light fixture.

Hold the light plate close to the light fixture and connect the white wires from the light plate and the fan. Follow the same procedure with the black wire connectors. (Fig. 18)

Step 2. Tuck the connections neatly into the light fixture.

NOTE: Be careful not to pinch the light plate wires between the light plate and the light fixture.

Step 3. Place the light plate key holes over the three mounting screws inside the light fixture and turn the light plate until it locks in place at the narrow section of the key hole slots. Secure by tightening all three screws. (Fig. 18)

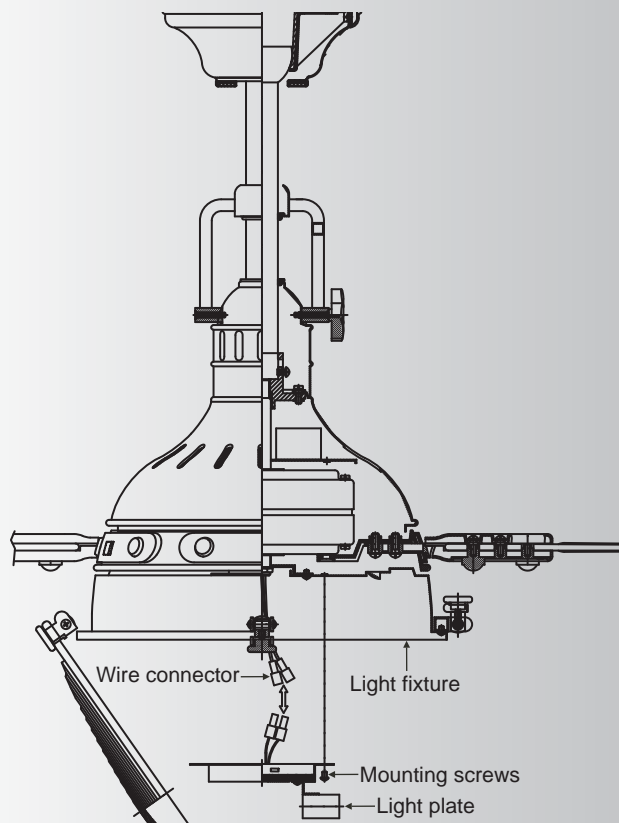


Fig. 18

12. INSTALL THE LIGHT BULBS

Step 1. Install 4, 40W T3 halogen bulbs (provided). (Fig. 19)

Step 2. Place the light fixture lens back into the lens holder and close the light fixture. Make sure to lower the padlock and tighten to prevent the lens holder from coming open. (Fig.19)

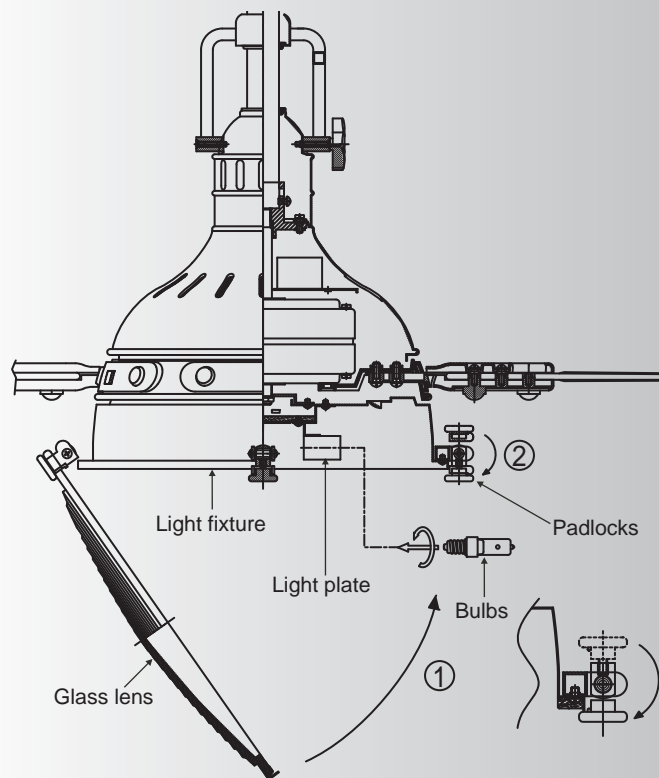
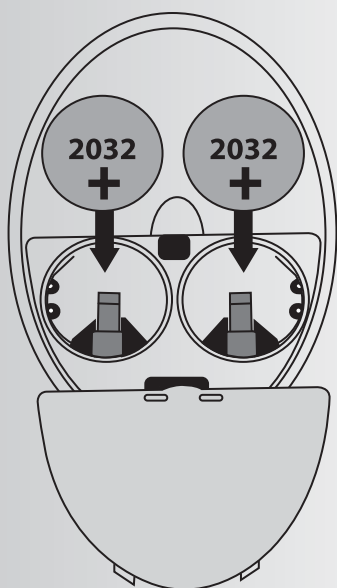


Fig. 19

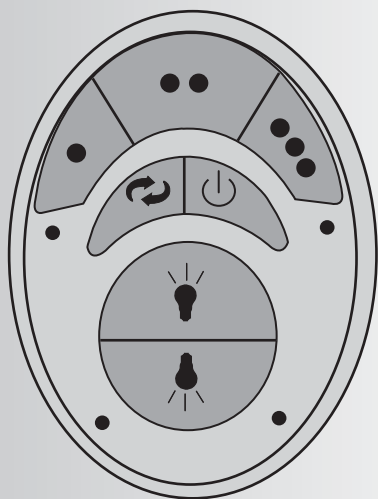

Fig. 20

13. INSTALLING THE BATTERIES

Remove the battery compartment cover on the back of the CoolTouch™ Transmitter and insert both batteries provided. Make sure the + sign is facing up.







Take care during this procedure NOT TO move the frequency dip switches inside this compartment. The settings MUST remain the same as the settings on the receiver for proper communication with the control system.

It's a good idea to remove these batteries if your fan is not used for extend periods of time, (months).


Fig. 21

14. OPERATING INSTRUCTIONS

Restore power to ceiling fan and test for proper operation.

- A. ●, ●●, and ●●● buttons:
 These three buttons are used to set the fan speed as follows:
 ●●● = low speed
 ●● = medium speed
 ● = high speed
- B.  button:
 This button turns the fan off.
- C. The "" and "" button:
 The "" button turns the upper light ON or OFF and also controls the brightness setting. The "" button turns the bottom light ON or OFF and also controls the brightness setting. Press and hold either button to set the desired brightness level. The next time you turn the light on, the system will remember this setting. Press and release either button to turn the light ON or OFF.
- D. The "" button is used to set the fan in forward or reverse operation. Each time you press this button the fan blades will reverse direction. This button functions ONLY when the fan blades are in operation.

Speed settings for warm or cool weather depend on factors such as the room size. Ceiling height, number of fans and so on.

Warm Weather Operation: Forward (counter clockwise) A downward airflow creates a cooling effect as shown in Fig. 22. This allows you to set your air conditioner on a warmer setting without affecting your general comfort.

Cool Weather Operation: Reverse (clockwise). An upward airflow moves warm air off the ceiling areas as shown in Fig. 23. This allows you to set your heating unit on a cooler setting without affecting your general comfort.

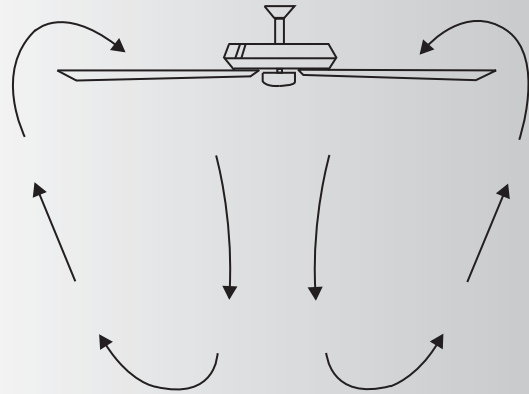


Fig. 22

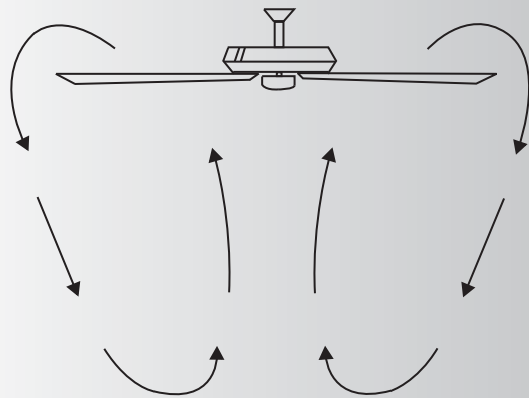
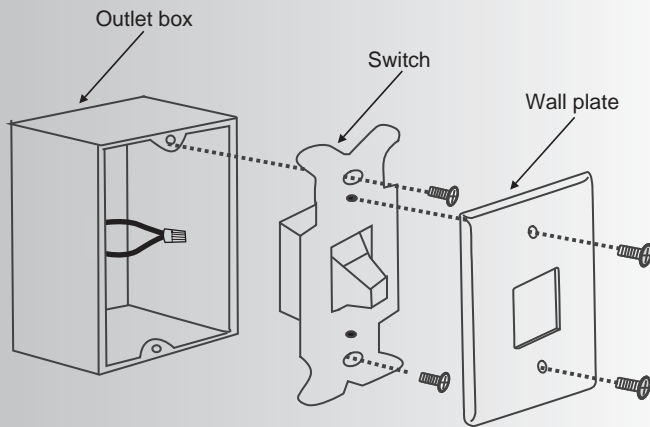
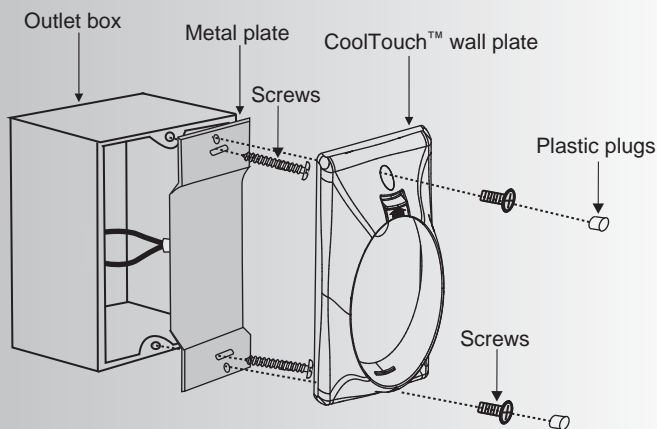
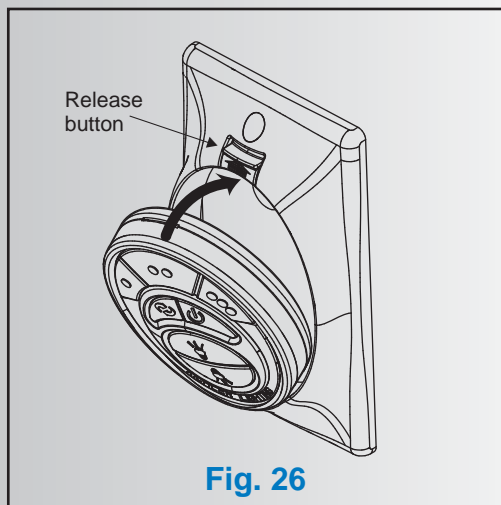


Fig. 23


Fig. 24

Fig. 25

Fig. 26

15. INSTALLING THE COOLTOUCH™ CONTROL SYSTEM WALL PLATE

Select a location to install your CoolTouch™ Control System Transmitter. You can replace an existing wall switch or, install the transmitter on ANY flat surface.

Option 1: Install the control system using an existing wall switch outlet box.

Make sure the electrical power is **TURNED OFF** at the main panel before continuing.

Step 1. Remove the existing wall plate and the old switch from the wall outlet box. Wire nut the **BLACK** leads (hot) together and push back inside the outlet box. (Fig. 24)

Step 2. Install the metal plate and CoolTouch™ wall plate to the existing wall outlet box with 4 screws provided. Then place the two plastic plugs into the wall plate. (Fig. 25)

Option 2: Install the control system on ANY flat surface.

Select the desired location and use the CoolTouch™ wall plate to mark the location for the mounting holes. Use the dry wall anchors and screws provided and finish the installation.

16. INSTALLING THE TRANSMITTER

1. Insert the transmitter into the wall plate by inserting the bottom of the transmitter first and then press the top of the transmitter into the pocket. The transmitter will fully function from this location or you can remove the transmitter and use as a "Hand Held" device. (Fig. 26)

2. To remove the transmitter from the wall plate, push the release button and the transmitter will fall into your hand.

17. TROUBLESHOOTING

Problem	Solution
Fan will not start.	<ol style="list-style-type: none"> 1. Check circuit fuses or breakers. 2. Check all electrical connections to insure proper contact. CAUTION: Make sure the main power is OFF when checking any electrical connection. 3. Make sure the batteries are installed properly. Positive (+) side facing out. 4. Check to make sure the batteries are installed properly. (Positive + side facing out) 5. Check to make sure the batteries are not dead.
Fan sounds noisy.	<ol style="list-style-type: none"> 1. Make sure all motor housing screws are snug. 2. Make sure the screws that attach the fan blade bracket to the motor hub is tight. 3. Make sure wire nut connections are not rubbing against each other or the interior wall of the switch housing. CAUTION: Make sure main power is off. 4. Allow a 24-hour "breaking-in" period. Most noise associated with a new fan disappear during this time. 5. If using an optional light kit, make sure the screws securing the glassware are tight. Make sure the light bulbs are not touching any other component. 6. Do not connect the fan with wall mounted variable speed control(s). 7. Make sure the upper canopy is a short distance from the ceiling. It should not touch the ceiling.
Fan wobble.	<ol style="list-style-type: none"> 1. Check that all blade and blade arm screws are secure. 2. Most fan wobbling problems are caused when blade levels are unequal. Check this level by selecting a point on the ceiling above the tip of one of the blades. Measure this distance. Rotate the fan until the next blade is positioned for measurement. Repeat for each blade. The distance deviation should be equal within 1/8". 3. Use the enclosed Blade Balancing Kit if the blade wobble is still noticeable. 4. If the blade wobble is still noticeable, interchanging two adjacent (side by side) blades can redistribute the weight and possibly result in smoother operation.
Remote control malfunction.	<ol style="list-style-type: none"> 1. Ceiling Fans with remote control systems CAN NOT be operated in conjunction with any other control system EXCEPT a basic On/Off wall switch, if desired. 2. Make sure the frequency dip switches in the transmitter and receiver have identical settings. 3. Make sure the Black Antenna on the receiver is NOT tangled with any other electrical wires and is extended around the inside of the ceiling canopy.

18. SPECIFICATIONS

Fan Size	Speed	Volts	Amps	Watts	RPM	CFM	CFM/W	N.W.	G.W.	C.F.
44"	High	120	0.45	53.6	213	4299.39	80.21	27.50 kgs	29.70 kgs	2.60'
	Medium	120	0.38	25.0	146	2882.59	115.30			
	Low	120	0.29	12.0	93	1842.45	153.54			

These are approximate measures. They do not include Amps and Wattage used by the light kit.