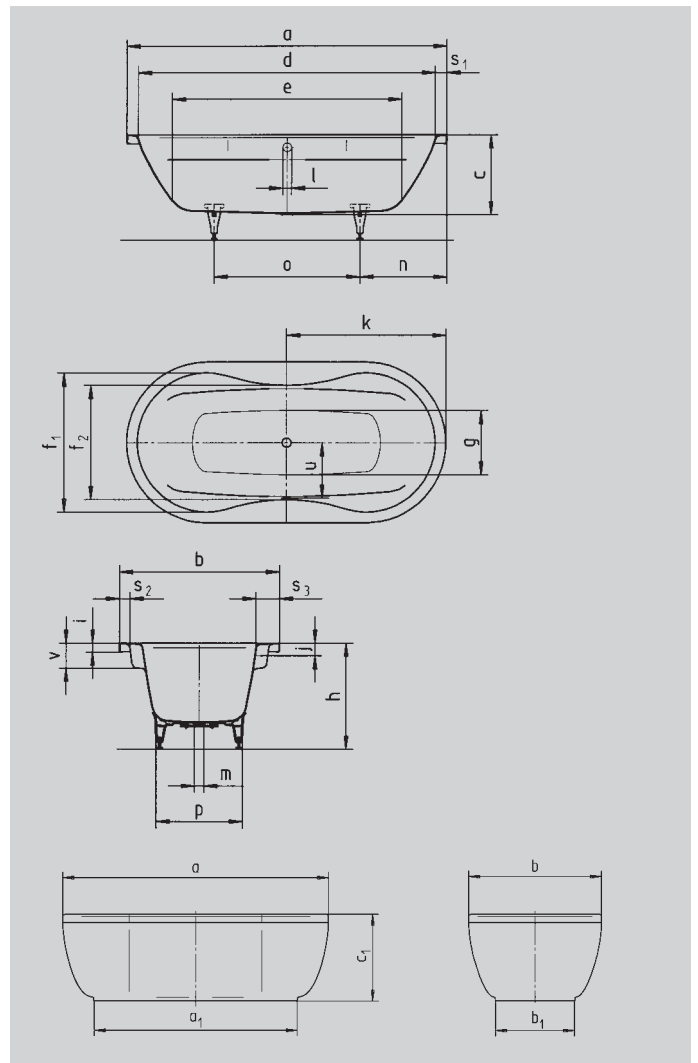


MEGA DUO OVAL

MEGA DUO OVAL WITH MOULDED PANEL

- bathing with a friend: two identical back rests and centrally positioned outlet
- wide arm rests on both sides provide optimum bathing comfort
- made of Kaldewei steel enamel 3.5 mm
- the moulded panel emphasises the high design standard and enables the bath to be free-standing



Model No.		inch		mm	
		184	184	184-7	184-7
External length	a	70.87	1800	70.87	1800
External width	b	35.43	900	35.43	900
Depth	c	17.72	450	17.72	450
External length (bottom)	a ₁	-	-	54.33	1380
External width (bottom)	b ₁	-	-	21.26	540
Overall height with panel	c ₁	-	-	22.83	580
Internal length (top)	d	66.14	1680	66.14	1680
Internal length (bottom)	e	50.79	1290	50.79	1290
Internal width (top)	f ₁ ; f ₂	30.71; 25.20	780; 640	30.71; 25.20	780; 640
Internal width (bottom)	g	14.17	360	14.17	360
Height with feet	h	22.24-23.62	565-600	22.24-23.62	565-600
Height of rim	i	1.97	50	1.97	50
Distance top edge to centre of overflow hole	j	2.76	70	2.76	70
Distance tub edge to centre of drain hole	k	35.43	900	35.43	900
Diameter of overflow hole	l	2.05	52	2.05	52
Diameter of drain hole	m	2.05	52	2.05	52
Distance foot end of tub edge to centre of foot	n	19.29	490	19.29	490
Distance between the feet	o	32.28	820	32.28	820
Max. width of feet	p	18.90	480	18.90	480
Width of rim (foot end; lengthwise)	s ₁ ; s ₂ ; s ₃	2.36; 2.36; 5.12	60; 60; 130	2.36; 2.36; 5.12	60; 60; 130
Distance between centre holes	u	12.20	310	12.20	310
Armrest depth	v	5.51	140	5.51	140
Water volume** in gallons		49.14		49.14	
Weight of the enamelled bath tub in lbs		121.25		-	

Subject to technical alterations and tolerances.
 ** 18.49 gallons displacement on average.

KALDEWEI