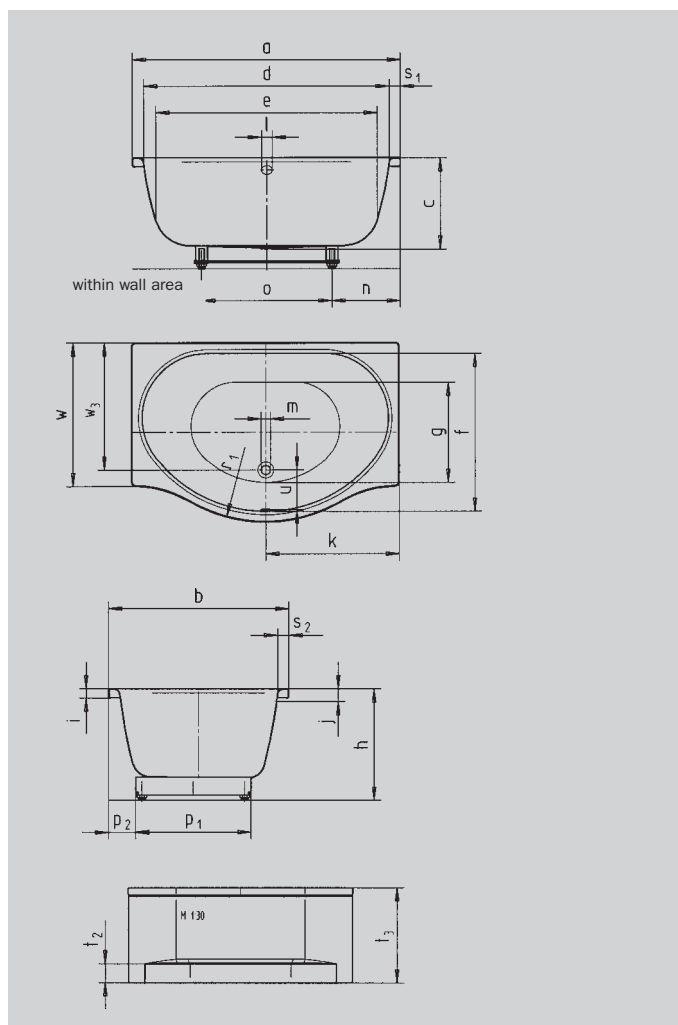


DUO POOL

- 19.88 inch deep tub for submerging
- lots of space and freedom of movement despite its compact external dimensions
- provides perfect bathing comfort even in small bathrooms
- made of Kaldewei steel enamel 3.5 mm
- also available with panel



		inch	mm
Model No.		150	150
External length	a	59.06	1500
External width	b	39.37	1000
Depth	c	19.88	505
Internal length (top)	d	51.18	1300
Internal length (bottom)	e	47.24	1200
Internal width (top)	f ₁ ; f ₂	34.65	880
Internal width (bottom)	g	22.05	560
Height with feet	h	24.41-25.20	620-640
Height of rim	i	1.97	50
Distance top edge to centre of overflow hole	j	2.76	70
Distance tub edge to centre of drain hole	k	29.53	750
Diameter of overflow hole	l	2.05	52
Diameter of drain hole	m	2.05	52
Distance foot end of tub edge to centre of foot	n	15.16	385
Distance between the feet	o	28.74	730
Max. width of feet	p ₁ ; p ₂	25.20; 5.91	640; 150
Radius	r ₁	33.46	850
Width of rim (lengthwise; diagonal)	s ₁ ; s ₂	2.36; 2.36	60; 60
Height of base	t ₂	5.31	135
Height with support and panel	t ₃	25.20	640
Distance between centre holes	u	8.66	220
Installation dimension	w	31.50	800
Distance tub edge (lengthwise) to drain hole	w ₃	27.95	710
Water volume** in gallons		63.39	
Weight of the enamelled bath tub in lbs		119.05	

Subject to technical alterations and tolerances.
 ** 18.49 gallons displacement on average.

KALDEWEI