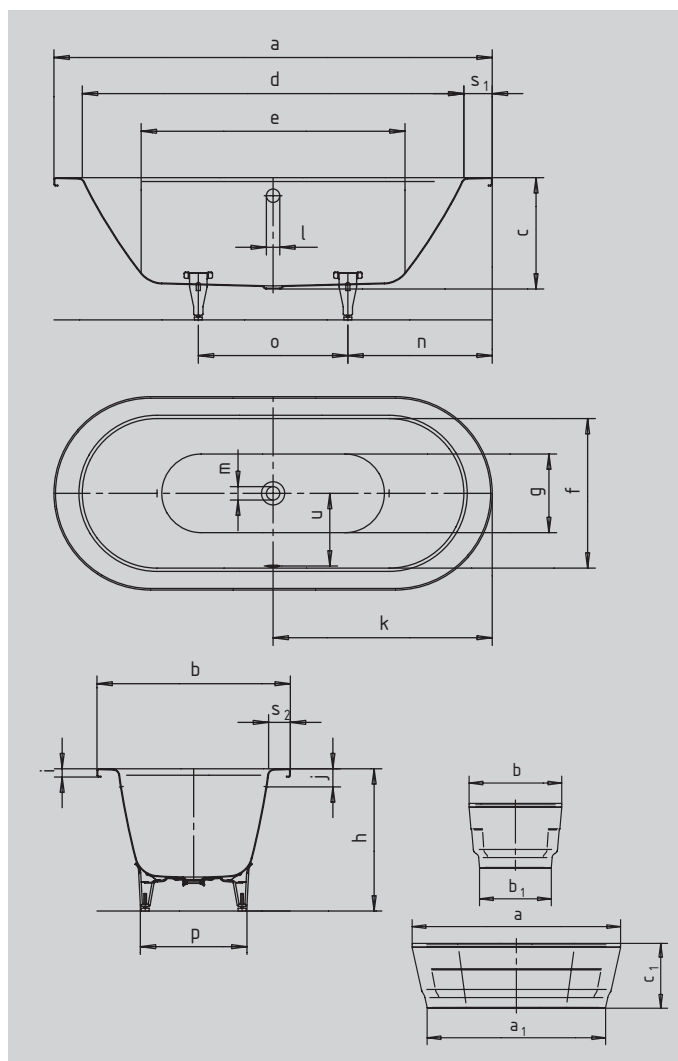


KLASSIKDUO OVAL WIDE KLASSIKDUO OVAL WIDE WITH MOULDED PANEL

- puristic simplicity and unpretentious elegance are what distinguish these bathtubs
- generously designed rim for individual tap positioning
- bathing with a friend: two identical back rests and centrally positioned outlet
- made of Kaldewei steel enamel 3.5 mm
- the moulded panel emphasises the high design standard and enables the bath to be free-standing



		inch	mm	inch	mm
Model No.		115	115	115-7	115-7
External length	a	70.87	1800	70.87	1800 mm
External length (bottom)	a ₁	-	-	60.24	1530 mm
External width	b	31.50	800	31.50	800 mm
External width (bottom)	b ₁	-	-	23.94	608 mm
Depth	c	16.93	430	16.93	430 mm
Overall height with panel	c ₁	-	-	22.05	560 mm
Internal length (top)	d	62.20	1580	62.20	1580 mm
Internal length (bottom)	e	44.49	1130	44.49	1130 mm
Internal width (top)	f	22.83	580	22.83	580 mm
Internal width (bottom)	g	17.72	450	17.72	450 mm
Height with feet	h	22.28-23.46	566-596	22.28-23.46	566-596 mm
Height of rim	i	1.26	32	1.26	32 mm
Distance top edge to centre of overflow hole	j	2.76	70	2.76	70 mm
Distance tub edge to centre of drain hole	k	35.43	900	35.43	900 mm
Diameter of overflow hole	l	2.05	52	2.05	52 mm
Diameter of drain hole	m	2.05	52	2.05	52 mm
Distance foot end of tub edge to centre of foot	n	24.02	610	24.02	610 mm
Distance between the feet	o	22.83	580	22.83	580 mm
Max. width of feet	p	15.75	400	15.75	400 mm
Width of rim (foot end; lengthwise)	s ₁ ; s ₂	4.33; 4.33	110; 110	4.33; 4.33	110; 110 mm
Distance between centre holes	u	11.02	280	11.02	280 mm
Water volume** in gallons		30.11	114	30.11	114
Weight of the enamelled bath tub in lbs		103.62	47		

Subject to technical alterations and tolerances.
** 18.49 gallons displacement on average.

KALDEWEI