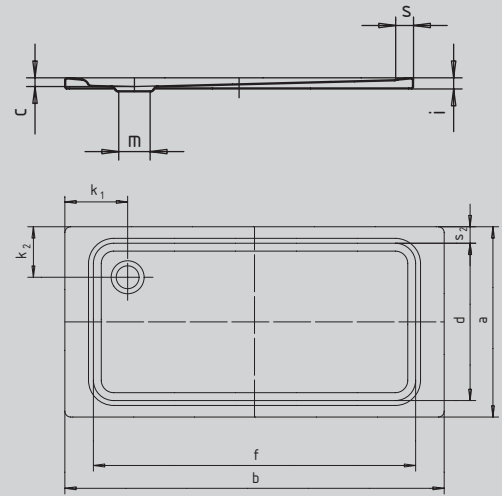
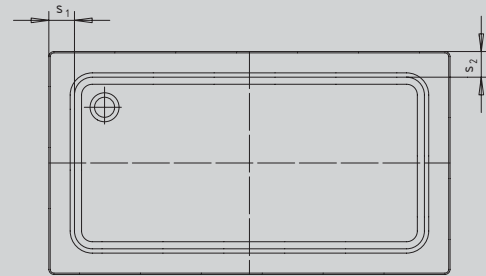


SUPERPLAN XXL

- exclusive, elegant design
- generous dimensions ideal for showering with a friend
- shallow depth ideal for flush fitting and guarantees easy access
- made of Kaldewei steel enamel 3.5 mm



Mod. 439, 442, 431, 436, 440, 443



		ADA		ADA		ADA		ADA		ADA		ADA			
		inch	mm	inch	mm	inch	mm	inch	mm	inch	mm	inch	mm		
Model No.		439	439	442	442	413	413	431	431	436	436	440	440	443	443
External length	a	35.43	900	39.37	1000	59.06	1500	27.56	700	29.53	750	35.43	900	39.37	1000
External width	b	59.06	1500	59.06	1500	59.06	1500	62.99	1600	62.99	1600	62.99	1600	62.99	1600
Depth	c	1.69	43	1.69	43	2.05	52	1.54	39	1.57	40	1.69	43	1.69	43
Internal length	d	31.10	790	35.04	890	54.72	1390	23.23	590	25.59	650	31.10	790	35.04	890
Internal width	f	50.79	1290	50.79	1290	54.72	1390	50.79	1290	50.39	1280	50.39	1280	50.39	1280
Height of rim	i	1.26	32	1.26	32	1.26	32	1.26	32	1.26	32	1.26	32	1.26	32
Distance tray edge to centre of drain hole	k ₁ ; k ₂	9.84; 7.87	250; 200	9.84; 7.87	250; 200	7.87	200	11.81; 7.87	300; 200	11.81; 7.87	300; 200	11.81; 7.87	300; 200	11.81; 7.87	300; 200
Diameter of drain hole	m	3.54	90	3.54	90	3.54	90	3.54	90	3.54	90	3.54	90	3.54	90
Width of rim	s ₁ ; s ₂	4.13; 2.17	105; 55	4.13; 2.17	105; 55	2.17	55	6.10; 2.17	155; 55	6.65; 1.97	160; 50	6.65; 2.17	160; 55	6.65; 2.17	160; 55
Weight of the enamelled shower tray in lbs		77.16		83.78		121.25		63.93		68.34		81.57		90.39	

Shower trays displaying **ADA** will comply with the Americans with Disabilities Act when installed per the requirements of the Accessibility Guidelines

Subject to technical alterations, tolerances and errors. Similar illustration.

KALDEWEI