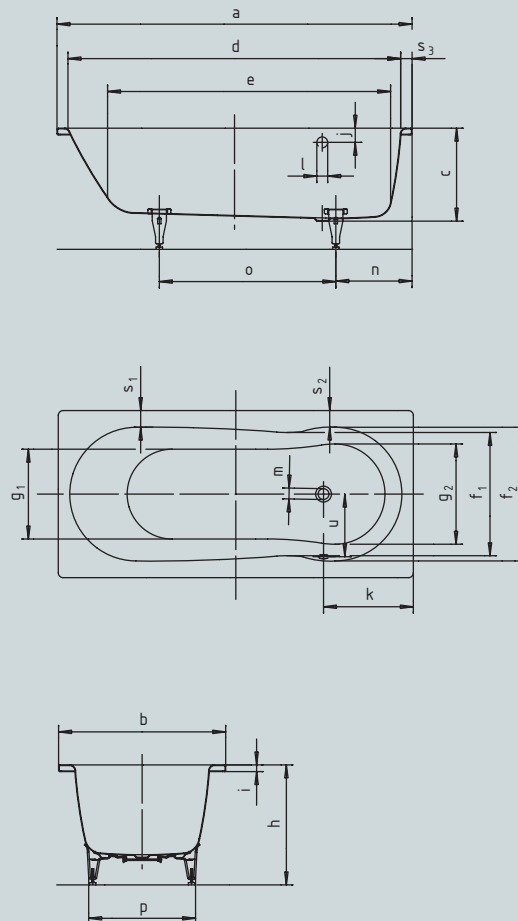


NOVOLA SET

- one-seater bathtub with side overflow
- combi-bathtub suitable for bathing and showering
- made of Kaldewei steel enamel 3.5 mm



Model No.		261	261
External length	a	66.93	1700
External width	b	31.50	800
Depth	c	17.32	440
Internal length (top)	d	62.60	1590
Internal length (bottom)	e	53.35	1355
Internal width (top)	f ₁ ; f ₂	23.23; 25.20	590; 640
Internal width (bottom)	g ₁ ; g ₂	16.54; 18.50	420; 470
Height with feet	h	22.24-23.23	565-590
Height of rim	i	1.26	32
Distance top edge to centre of overflow hole	j	2.64	67
Distance tub edge to centre of drain hole	k	16.73	425
Diameter of overflow hole	l	2.05	52
Diameter of drain hole	m	2.05	52
Distance foot end of tub edge to centre of foot	n	14.37	365
Distance between the feet	o	31.50	800
Max. width of feet	p	18.50	470
Width of rim	s ₁ ; s ₂ ; s ₃	3.15; 3.15; 2.17	80; 80; 55
Distance between centre holes	u	12.40	315
Water volume** in gallons		40.94	
Weight of the enamelled bath tub in lbs		121.25	

Subject to technical alterations and tolerances.
 ** 18.49 gallons displacement on average.

KALDEWEI
 Europe's No. 1 for baths