

Jacuzzi Signature Collection Corner Drop-In Bathtub

6060 Soaker

6060 Whirlpool

Letter	Description	English	Metric	English	Metric
-	Drain/Motor Location	Center Drain / LH / RH Motor		Center Drain / LH / RH Motor	
-	Cutout	See Below		See Below	
-	Total Weight	1042 lb	473 kg	1057 lb	479 kg
-	Floor Loading	41.7 lb / ft ²	668 kg / m ²	42.3 lb / ft ²	678 kg / m ²
-	Operating Gallons (Max)	86 U.S. Gal.(max)	326 Liters (max)	86 U.S. Gal.(max)	326 Liters (max)
-	Product Weight	76 lbs	34 kg	91 lbs	41 kg
-	Soaking Depth	15"	381 mm	15"	381 mm
L	Outer Length	60"	1524 mm	60"	1524 mm
W	Outer Width	60"	1524 mm	60"	1524 mm
H	Overall Height	22"	55 mm	22"	558 mm
A	Overflow Height	17.38"	378 mm	17.38"	378 mm
B	Long Edge to Drain Center	14.50 "	368 mm	14.50"	368 mm
C	Deck Edge to Drain Center	21"	533 mm	21"	533 mm
D	Drain Shoe Length	17.50"	441 mm	17.50"	441 mm
E	Deck Height	2"	51 mm	2"	51 mm
F	Deck Width	3"	76 mm	3"	76 mm
G	Service Access Dimensions	12" x 18"	305 mm x 457 mm	12" x 18"	305 mm x 457 mm
I	Floor Cutout for Drain	19" x 4"	483 mm x 102 mm	19" x 4"	483 mm x 102 mm
J	Interior Dimensions (bottom of bath) L x W	48" x 39"	1219 mm x 990 mm	48" x 39"	1219 mm x 990 mm

NOTE

When ordering integral 3-tile flange, flange height on 3-tile flange is 1.25" (32mm) from deck.

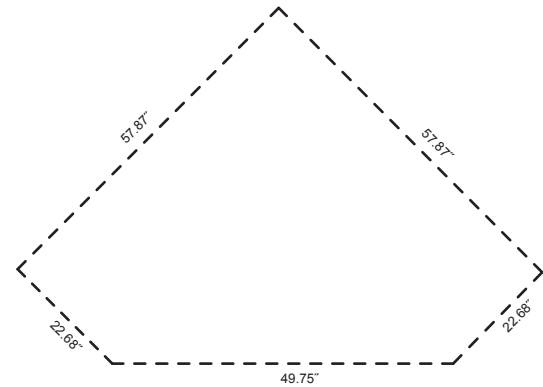
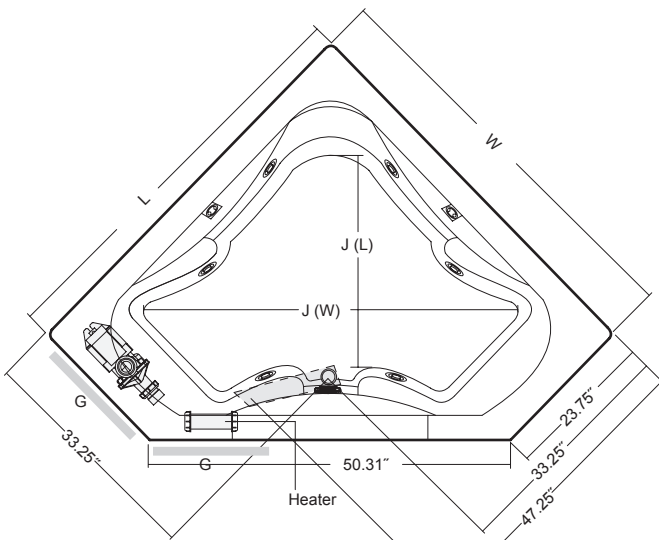
Electrical Specifications
(Each component requires a separate, dedicated GFCI protected circuit)

Motor/Pump 120V 15A 60HZ
Heater 120V 15A 60HZ

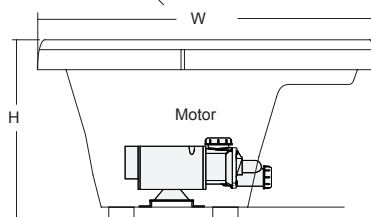
Key Dimensions

NOTE

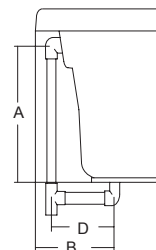
Left Hand unit shown below.



Template Cutout



END VIEW



DRAIN/OVERFLOW

NOTE: Drawings not to scale.