

Salerno 7242 Salon Spa Combination



Product Codes beginning with: SAL7242CCR

Also applies to products sold under part numbers: HB00, KV55, KV60, KV65, KV70, KV75, KV80, KV85

TECHNICAL SPECIFICATIONS

	English	Metric
Outer Dimensions	72" L x 42" W x 25" H	1829 mm L x 1067 mm W x 635 mm H
Interior Dimensions (bottom of bath) L x W (Mid) x W (End)	45" L x 27" W x 26 1/2" W	1143 mm L x 686 mm W x 673 mm W
Drain/Equipment Configuration	Center drain/Right end pump & blower	Center drain/Right end pump & blower
Bath Weight (empty)	194 lbs	88 kg
Total Weight/Floor Loading	1,185 lbs 56.4 lbs/ft ²	538 kg 275.6 kg/m ²
Operating Gallonage (min-max)	84 (min) 89 (max) U.S. Gals	318 (min) 337 (max) L
Electrical Specifications	Each component requires a separate, dedicated GCFI protected circuit(s)	
Motor/Pump & Heater	240V 20A 120HZ	
Blower	120V 15A 60HZ	

FEATURES, UPGRADES & ACCESSORIES

Material Type: High-Gloss Acrylic

Install Type: Drop-in or Undermount

Available Colors: White (W), Almond (A), Oyster (Y), Black (B)

Cut-out Template: HA76000

Standard (Included) Features:

10 jets, In-line Heater, Chromatherapy lighting, 900w blower, bottom air channels

Available Control Systems:

J4 Luxury Control Panel (standard)

J5 Luxury LCD Control Panel

Available Upgrades:

Whisper Quiet Technology,

Illumatherapy Lighting

Available Accessories:

DA34 Rotary Drain Kit PVC (specify metal finish)

GU44 TheraPro Jet Trim Kit (specify metal finish)

GU45 AccuPro Jet Trim Kit (specify metal finish)

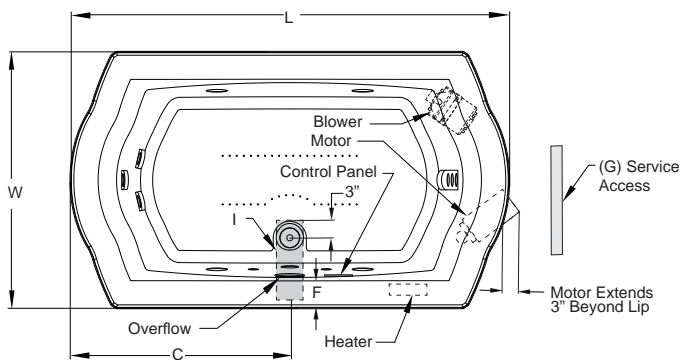
827: Chrome, 826: Brushed Nickel, 845: Oil Rubbed Bronze

*Note: GU44 (Chrome) is standard on Illumatherapy jets.

C263 Curved Pillow (specify color) 959: White, 958: Almond, 969: Oyster

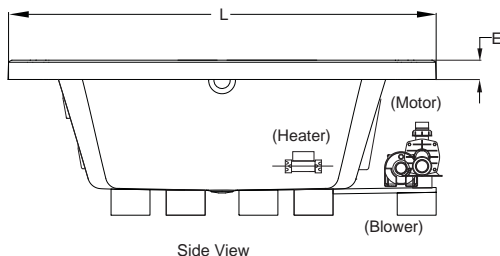
GQ88 Light Chromatherapy Add-on Kit

KEY DIMENSIONS

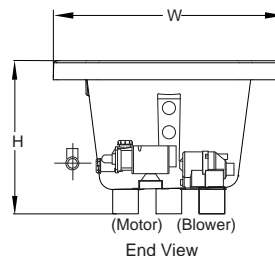


*Deck width reflects only area indicated on detail.

Letter	Description	English	Metric
L	Outer Length	72"	1829 mm
W	Outer Width	42"	1067 mm
H	Overall Height	25"	635 mm
A	Overflow Height	17 7/16"	443 mm
B	Long Edge to Drain Center	11 9/16"	294 mm
C	Short Edge to Drain Center	36"	915 mm
D	Drain Shoe Length	6 1/2"	165 mm
E	Deck Height	3"	76 mm
F	Deck Width*	5"	127 mm
G	Service Access Dimensions	12" H x 18" L	305 mm x 457 mm
I	Floor Cut-out for Drain	12" x 4"	305 mm x 102 mm

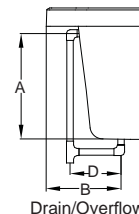


Side View



End View

Note: Drain installation is non-standard, vertical overflow connection requires offset.



Drain/Overflow

NOTE: Graphics May Not be to Scale

© 2010 Jacuzzi Luxury Bath • For additional information call Customer Service 800-288-4002 • www.jacuzzi.com/technicalspecs

Refer to installation instructions included with fixture before beginning installation. Please confirm product availability and specifications before commencing with any installation work.

PRODUCT SPECIFICATIONS AND AVAILABILITY ARE SUBJECT TO CHANGE WITHOUT NOTICE.

HD66000 REL 03/10