

**Rossi® Whirlpool and Soaking Bathtubs w/ Integral Skirt**

Letter	Description	English	Metric
-	Drain Location	Left Hand / Right Hand	
-	Whirlpool Pump Location	Opposite end of drain	
-	Cutout	N/A	
-	Total Weight	761 lbs	345 kg
-	Floor Loading	57.1 lb/ft <sup>2</sup>	279 kg/m <sup>2</sup>
-	Operating Gallons (Max)	53 gal	201 l
-	Product Weight	70 lbs	32 kg
-	Soaking Depth	14.00"	356 mm
L	Outer Length	60.00"	1524 mm
W	Outer Width	32.00"	813 mm
H	Overall Height	19.00"	483 mm
A	Overflow Height	15.25"	387 mm
B	Long Edge to Drain Center	8.25"	210 mm
C	Short Edge to Drain Center	16.00"	406 mm
D	Drain Shoe Length	6.25"	159 mm
E	Flange Height	1.25"	32 mm
F	Deck Width	3.88"	99 mm
G	Service Access Dimensions	N/A	N/A
I	Floor Cutout for Drain	12.00" x 4.00"	305 mm x 102 mm
J	Interior Dimensions (bottom of bath) L x W	43.00" x 19.00"	1092 mm x 483 mm

**NOTE**

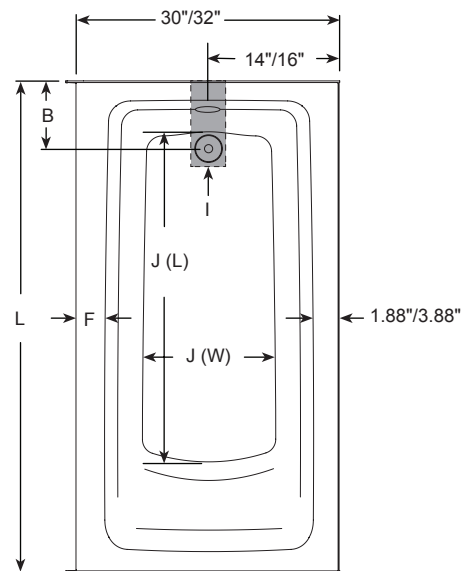
The overall dimensions are nominal with a tolerance of +0 and -.25" (6mm).

**Electrical Specifications**

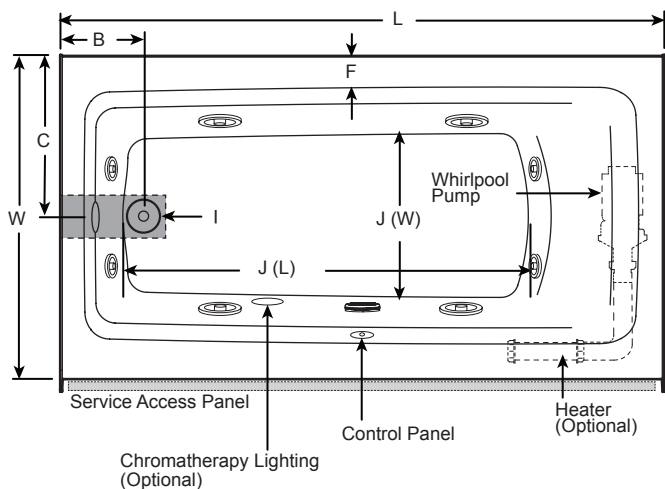
(Each component requires a separate, dedicated GFCI protected circuit)

Motor/Pump 120V 15A 60HZ

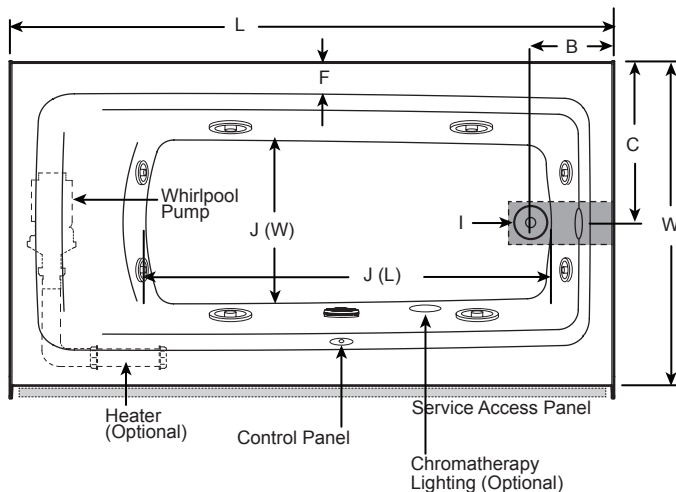
Heater (optional) 120V 15A 60HZ


**Key Dimensions**

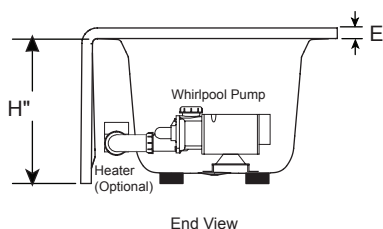
(Left End Drain / Right Side Whirlpool Pump)



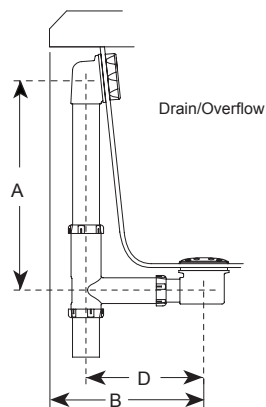
(Left End Whirlpool Pump / Right Side Drain)



\*Deck width reflects only area indicated on detail.



End View


**NOTE:** Drawings not to scale.