

TECHNICAL SPECIFICATIONS



Nova™ 536 Whirlpool Bath

NOV6036 WRL 2XX Nova 536 Whirlpool Bath Right Hand (H532)
 NOV6036 WRL 2XX Nova 536 Whirlpool Bath Left Hand (H531)

Nova™ 536 Bath

NOV6036 BUX XXX Nova 536 Bath H533)

INSTALLATION NOTES

Refer to installation instructions included with fixture before beginning installation. Please confirm product availability and specifications before commencing with any installation work.

PRODUCT SPECIFICATIONS AND AVAILABILITY ARE SUBJECT TO CHANGE WITHOUT NOTICE.

KEY DIMENSIONS

DIMENSIONS

60" L x 36" W x 19-1/4" H
 (1524 mm) L x (914 mm) W x (489 mm) H

DRAIN/OVERFLOW

A: 15-1/8" (384 mm) B: 9" (229 mm)

CUTOUT

58" x 34"

TOTAL WEIGHT

H531, H532: 683 lb (310 kg) / 46 lb/ft² (222 kg/m²)

H533: 660 lb (299 kg) / 44 lb/ft² (215 kg/m²)

OPERATING GALLONAGE

42 U.S. Gal. (159 Liters)

PRODUCT WEIGHT

H531, H532: 83 lb (38 kg)

H533: 60 lb (27 kg)

SKIRT MOUNTING

Not Available

ELECTRICAL SPECIFICATIONS MODELS H531, H532 ONLY

Requires a dedicated GFCI protected separate circuit.

Motor/Pump: 120 VAC, 15 AMP, 60 Hz.

RapidHeat™: 120 VAC, 15 AMP, 60 Hz.

HEATER (OPTIONAL MODELS H531, H532 ONLY)

Requires a dedicated GFCI protected separate circuit.

RapidHeat™: P/N S750000

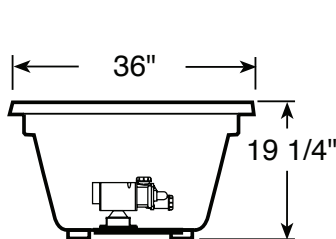
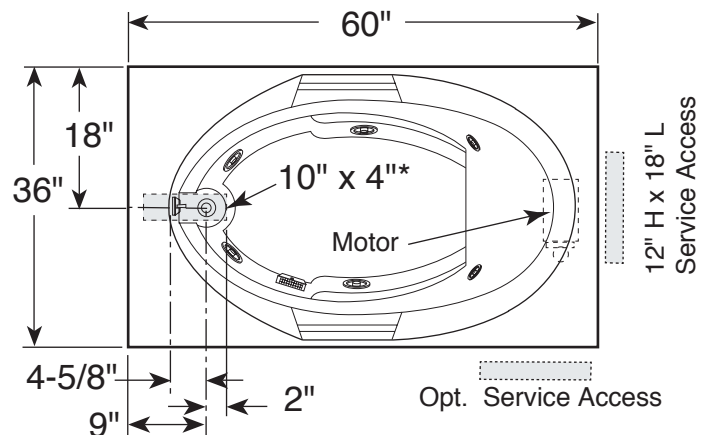
Product Shown: Nova 536 Whirlpool Bath Left Hand

Model: H531

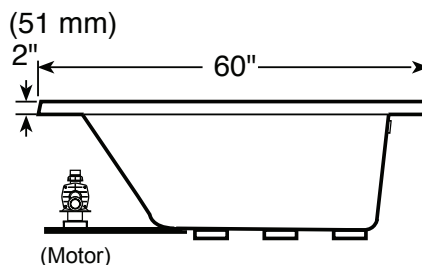
* Measurements inside unit represent cutout in floor to allow for drain/overflow. Minimum Service Access dimensions given.

FEATURES, UPGRADES & ACCESSORIES

- Right and Left Hand Drain Location
- Accessories / Hardware:
 - Trip-Lever Drain Kit #X559
 - Rotary Drain Kit, 26" Cable #8730
 - TheraPro Jet Trim Kit: #GU44
 - AccuPro Jet Trim Kit: #GU45
- Trim Kit Finishes Available:
 - (827) – Chrome
 - (826) – Brushed Nickel
 - (849) – Oil Rubbed Bronze

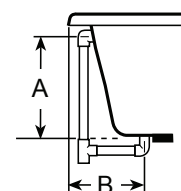


SIDE VIEW



(Motor)

END VIEW



DRAIN/OVERFLOW