

TECHNICAL SPECIFICATIONS

Majora® 6 Whirlpool Bath with Integral Skirt

MJS7242 WRL 2XX Majora 6 Whirlpool Bath with Integral Skirt Right Hand (K640)

MJS7242 WLR 2XX Majora 6 Whirlpool Bath with Integral Skirt Left Hand (K615)

Majora® 6 Bath with Integral Skirt

MJS7242 BRX XXX Majora 6 Bath with Integral Skirt Right Hand (K643)

MJS7242 BLX XXX Majora 6 Bath with Integral Skirt Left Hand (K618)



INSTALLATION NOTES

Refer to installation instructions included with fixture before beginning installation. Please confirm product availability and specifications before commencing with any installation work.

PRODUCT SPECIFICATIONS AND AVAILABILITY ARE SUBJECT TO CHANGE WITHOUT NOTICE.

KEY DIMENSIONS

DIMENSIONS

72" L x 42" W x 19-3/4" H

(1829 mm) L x (1066 mm) W x (502 mm) H

DRAIN/OVERFLOW

A: 15-5/8" (397 mm) B: 8-1/2" (216 mm)

CUTOUT

Not Applicable

TOTAL WEIGHT

K640, K615: 947 lb (430 kg) / 45 lb/sq. ft. (220 kg/m²)

K618, K643: 923 lb (419 kg) / 44 lb/sq. ft. (215 kg/m²)

OPERATING GALLONAGE

70 U.S. Gal. (265 Liters)

PRODUCT WEIGHT

K640, K615: 114 lb (52 kg)

K618, K643: 90 lb (41 kg)

SKIRT MOUNTING

Integral

ELECTRICAL SPECIFICATIONS MODELS K640, K615 ONLY

Requires a dedicated GFCI protected separate circuit.

Motor/Pump: 120 VAC, 15 AMP, 60 Hz.

RapidHeat™: 120 VAC, 15 AMP, 60 Hz.

HEATER (OPTIONAL) MODELS K640, K615 ONLY

Requires a dedicated GFCI protected separate circuit.

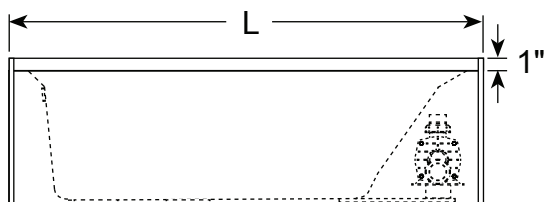
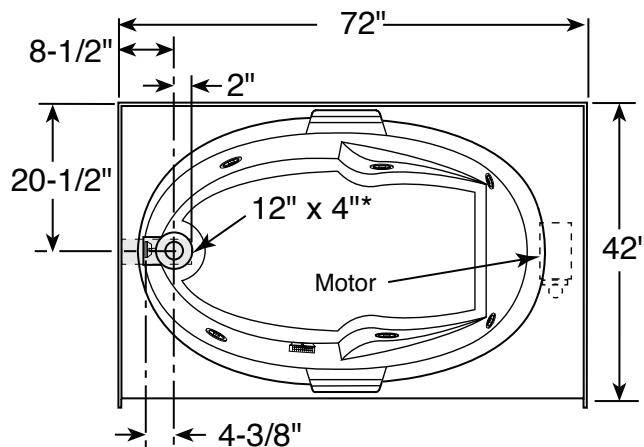
RapidHeat™: P/N S750000

Product Shown: Majora 6 Whirlpool Bath with Integral Skirt Left Hand Model: K615

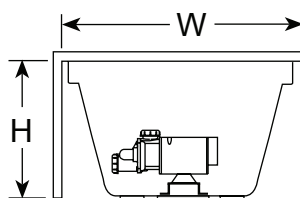
* Measurements inside unit represent cutout in floor to allow for drain/overflow.

FEATURES, UPGRADES & ACCESSORIES

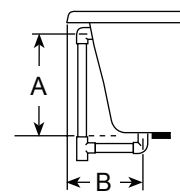
- Right and Left Hand Drain Location
- Accessories / Hardware:
 - Trip-Lever Drain Kit #X559
 - Rotary Drain Kit, 26" Cable #8730
 - TheraPro Jet Trim Kit: #GU44
 - AccuPro Jet Trim Kit: #GU45
- Trim Kit Finishes Available:
 - (827) – Chrome
 - (826) – Brushed Nickel
 - (849) – Oil Rubbed Bronze



SIDE VIEW



END VIEW



DRAIN/OVERFLOW