

# Fuzion 7236 LH Whirlpool



Product Codes beginning with: FUZ7236WLR

Also applies to products sold under part numbers: EF80, KK15, EF95, KK25, KK30, KK35, KK40, KK45

## TECHNICAL SPECIFICATIONS

	English	Metric
Outer Dimensions	70 3/4" L x 35 1/2" W x 24" H	1797 mm L x 902 mm W x 610 mm H
Interior Dimensions (bottom of bath) L x W (Mid) x W (End)	48" L x 21 1/2" W x 21 1/2" W	1219 mm L x 546 mm W x 546 mm W
Drain/Pump Configuration	Left hand drain/Right end pump	Left hand drain/Right end pump
Bath Weight (empty)	135 lbs	61 kg
Total Weight/Floor Loading	1,210 lbs 69.6 lbs/ft <sup>2</sup>	550 kg 340 kg/m <sup>2</sup>
Operating Gallonage (min-max)	77 (min) 99 (max) U.S. Gals	291.5 (min) 375 (max) L
Electrical Specifications	<b>Each component requires a separate, dedicated GCFI protected circuit</b>	
Motor/Pump	120V 20A 60HZ	
Heater	120V 15A 60HZ	

## FEATURES, UPGRADES & ACCESSORIES

**Material Type:** High-Gloss Acrylic

**Install Type:** Drop-in with wood frame or Undermount

**Available Colors:** White (W), Almond (A), Oyster (Y), Black (B)

**Cut-out:** 69" x 33" or Undermount Template DD42000

**Standard (Included) Features:**

14 jets, In-line Heater, Chromatherapy lighting, infinity edge overflow, 1 pillow, chrome twist and turn drain (for alternate finishes, replace with standard parts, 1.5" drain elbow)

**Available Control Systems:**

J4 Luxury Control Panel (standard)

J5 Luxury LCD Control Panel

**Available Upgrades:**

Whisper Quiet Technology,

Illumatherapy Lighting

**Available Accessories:**

HB72 Optional wood frame (specify finish) 900: Unfinished, 935: Wenge, 936: Teak

D095 TheraPro Jet Trim Kit (specify metal finish)

P556 AccuPro Jet Trim Kit (specify metal finish)

827: Chrome, 826: Brushed Nickel, 845: Oil Rubbed Bronze

\*Note: D095 (Chrome) is standard on Illumatherapy jets.

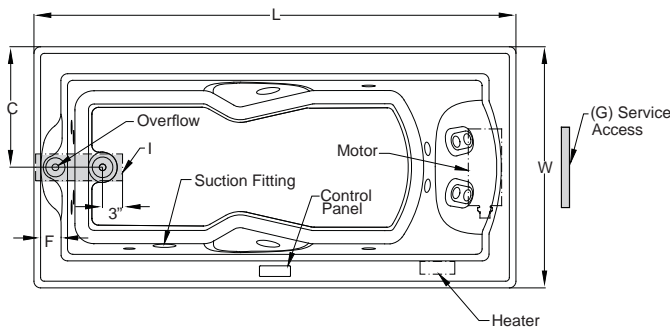
GQ88 Light Chromatherapy Add-on Kit

DD50 Replacement Pillow (specify color) 959: White, 958: Almond, 969: Oyster

**\*Faucet installation note:**

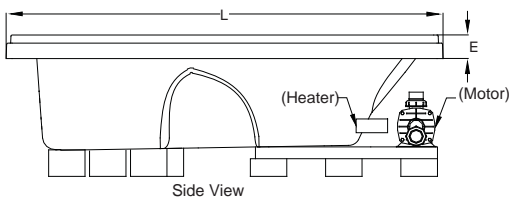
Selecting a faucet for rim mounting: The combined thickness at the rim of the bathtub shell and optional wood deck is 2" (50 mm) nominal. The length of the faucet tailpiece(s) must be long enough to extend past this dimension and have ample clearance to assemble any hardware (i.e. locknut, water supply fittings, etc.) necessary for installation. For undermount units, the combined thickness of the bathtub shell is 1/2" (12 mm) nominal and the undermount deck should not exceed the length of the faucet tailpiece(s), including any assembly hardware.

## KEY DIMENSIONS

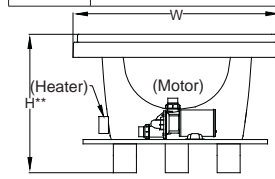


\*Deck width reflects only area indicated on detail.

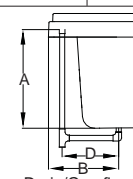
Letter	Description	English	Metric
L	Outer Length	70 3/4"	1797 mm
W	Outer Width	35 1/2"	902 mm
H	Overall Height**	24"	610 mm
A	Overflow Height	17"	432 mm
B	Long Edge to Drain Center	10 1/4"	260 mm
C	Short Edge to Drain Center	17 11/16"	447 mm
D	Drain Shoe Length	7"	178 mm
E	Deck Height**	4"	102 mm
F	Deck Width*	3"	76 mm
G	Service Access Dimensions	12" H x 18" L	305 mm x 457 mm
I	Floor Cut-out for Drain	12" x 4"	305 mm x 102 mm



NOTE: Graphics May Not be to Scale



\*\*Height of tub only, optional wood frame adds 1.25"



Note: Drain included. Non-standard installation, refer to manual.

© 2010 Jacuzzi Luxury Bath • For additional information call Customer Service 800-288-4002 • [www.jacuzzi.com/technicalspecs](http://www.jacuzzi.com/technicalspecs)

Refer to installation instructions included with fixture before beginning installation. Please confirm product availability and specifications before commencing with any installation work.

PRODUCT SPECIFICATIONS AND AVAILABILITY ARE SUBJECT TO CHANGE WITHOUT NOTICE.

HD28000 REL 03/10