

Fuzion 6666 LH Whirlpool



Product Codes beginning with: FUZ7260WCL

Also applies to products sold under part numbers: EH30, KS15, EH45, KS25, KS30, KS35, KS40, KS45

TECHNICAL SPECIFICATIONS

	English	Metric
Outer Dimensions	65 3/4" L x 65 3/4" W x 24" H	1670 mm L x 1670 mm W x 610 mm H
Interior Dimensions (bottom of bath) L x W (Mid)	42" L x 42" W	1067 mm L x 1067 mm W
Drain/Pump Configuration	Center drain/Left end pump	Center drain/Left end pump
Bath Weight (empty)	190 lbs	86 kg
Total Weight/Floor Loading	1,773 lbs 59.1 lbs/ft ²	806 kg 288 kg/m ²
Operating Gallonage (min-max)	119 (min) 148 (max) U.S. Gals	451 (min) 560 (max) L
Electrical Specifications	Each component requires a separate, dedicated GCFI protected circuit	
Motor/Pump	120V 20A 60HZ	
Heater	120V 15A 60HZ	

FEATURES, UPGRADES & ACCESSORIES

Material Type: High-Gloss Acrylic

Install Type: Drop-in with wood frame or Undermount

Available Colors: White (W), Almond (A), Oyster (Y), Black (B)

Undermount Cut-out Template: DD43000; See below drop-in diagram

Standard (Included) Features:

15 jets, In-line Heater, Chromatherapy lighting, infinity edge overflow, 2 neck massaging waterfalls, 2 pillows, chrome twist and turn drain (for alternate finishes, replace with standard parts, 1.5" drain elbow)

Available Control Systems:

J4 Luxury Control Panel (standard)

J5 Luxury LCD Control Panel

Available Upgrades:

Whisper Quiet Technology,

Illumatherapy Lighting

Available Accessories:

HB78 Optional wood frame (specify finish) 900: Unfinished, 935: Wenge,

936: Teak

D095 TheraPro Jet Trim Kit (specify metal finish)

P556 AccuPro Jet Trim Kit (specify metal finish)

827: Chrome, 826: Brushed Nickel, 845: Oil Rubbed Bronze

*Note: D095 (Chrome) is standard on Illumatherapy jets.

GQ88 Light Chromatherapy Add-on Kit

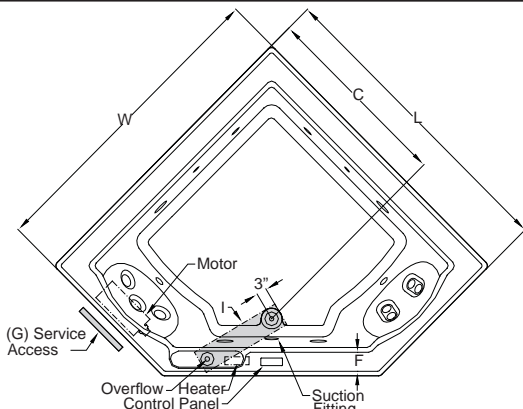
DD50 Replacement Pillow (specify color) 959: White, 958: Almond,

969: Oyster

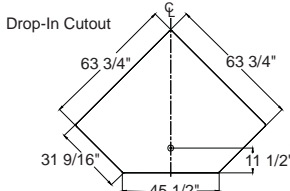
***Faucet installation note:**

Selecting a faucet for rim mounting: The combined thickness at the rim of the bathtub shell and optional wood deck is 2" (50 mm) nominal. The length of the faucet tailpiece(s) must be long enough to extend past this dimension and have ample clearance to assemble any hardware (i.e. locknut, water supply fittings, etc.) necessary for installation. For under-mount units, the combined thickness of the bathtub shell is 1/2" (12 mm) nominal and the undermount deck should not exceed the length of the faucet tailpiece(s), including any assembly hardware.

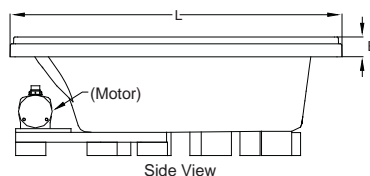
KEY DIMENSIONS



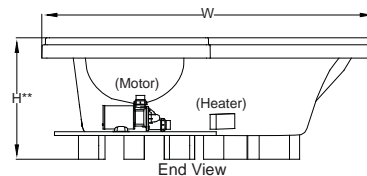
*Deck width reflects only area indicated on detail.



NOTE: Graphics May Not be to Scale

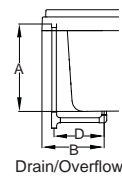


Side View



End View

**Height of tub only, optional wood frame adds 1.25"



Drain/Overflow
Note: Drain included.
Non-standard installation,
refer to manual.

Letter	Description	English	Metric
L	Outer Length	65 3/4"	1670 mm
W	Outer Width	65 3/4"	1670 mm
H	Overall Height**	24"	610 mm
A	Overflow Height	16 13/16"	427 mm
B	Long Edge to Drain Center	12 1/8"	308 mm
C	Short Edge to Drain Center	40 15/16"	1039 mm
D	Drain Shoe Length	9 1/4"	234 mm
E	Deck Height**	4"	102 mm
F	Deck Width*	3 1/2"	89 mm
G	Service Access Dimensions	12" H x 18" L	305 mm x 457 mm
I	Floor Cut-out for Drain	20" x 4"	508 mm x 102 mm

© 2010 Jacuzzi Luxury Bath • For additional information call Customer Service 800-288-4002 • www.jacuzzi.com/technicalspecs

Refer to installation instructions included with fixture before beginning installation. Please confirm product availability and specifications before commencing with any installation work.

PRODUCT SPECIFICATIONS AND AVAILABILITY ARE SUBJECT TO CHANGE WITHOUT NOTICE.

HD33000 REL 03/10