

Finestra 6036 RH Soaking Bath



Product Codes beginning with: F4N6036BRX, F7N6036BRX

Also applies to products sold under part numbers: EW20, KG05, EY45, KJ05

TECHNICAL SPECIFICATIONS

	English	Metric
Outer Dimensions	60" L x 36" W x 38 1/2" H	1524 mm L x 914 mm W x 978 mm H
Interior Dimensions (bottom of bath) L x W (Mid) x W (End)	26 1/2" L x 23" W x 23" W	673 mm L x 584 mm W x 584 mm W
Drain/Blower Configuration	Right hand drain	Right hand drain
Bath Weight (empty)	240 lbs	109 kg
Total Weight/Floor Loading	1,548 lbs 103.2 lbs/ft ²	774 kg 504 kg/m ²
Operating Gallonage (min-max)	127 (max) U.S. Gals	481 (max) L
Electrical Specifications	Each component requires a separate, dedicated GCFI protected circuit(s)	
Chromatherapy (if selected)	120V 15A 60HZ	

FEATURES, UPGRADES & ACCESSORIES

Material Type: High-Gloss Acrylic

Install Type: Walk-in, Skirted

Available Colors: White (W), Almond (A), Oyster (Y)

Standard (Included) Features: Grab bar, chrome rotary drain

Available Control Systems:

Chromatherapy lighting

*Control Panel installation is done by installer, location optional

Available Upgrade:

Chromatherapy lighting

Available Accessories:

BN21 Finestra Drain Trim Kit (specify metal finish)

826: Brushed Nickel, 845: Oil Rubbed Bronze

5817000 Tile Flange Kit

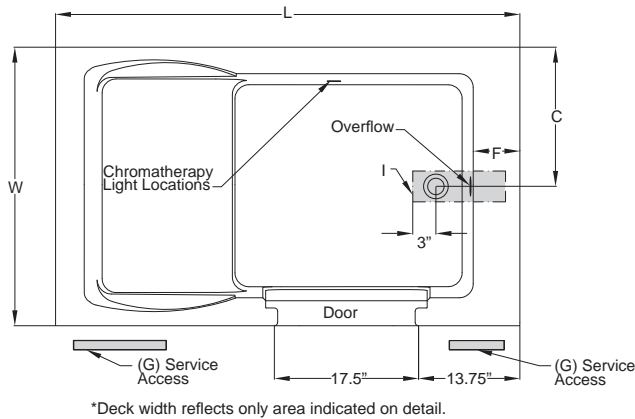
EK91 21" Straight Pillow (specify color) 959: White, 958: Almond,

969: Oyster

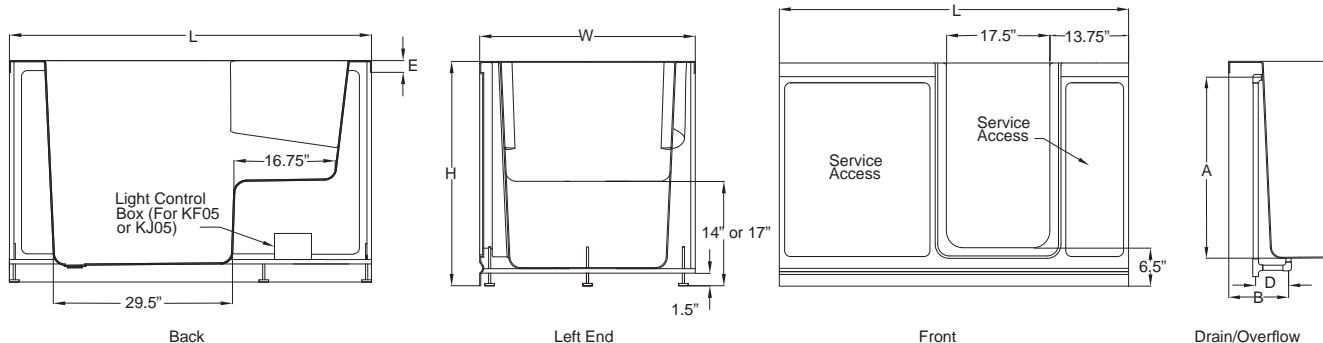
GD56 Light Chromatherapy Control Kit (for EV85 or EY00)

GQ88 Light Chromatherapy Add-on Kit

KEY DIMENSIONS



Letter	Description	English	Metric
L	Outer Length	60"	1524 mm
W	Outer Width	36"	914 mm
H	Overall Height	38 1/2"	978 mm
A	Overflow Height	31 1/2"	800 mm
B	Long Edge to Drain Center	11 11/16"	297 mm
C	Short Edge to Drain Center	18"	457 mm
D	Drain Shoe Length	8 7/8"	224 mm
E	Deck Height	2"	51 mm
F	Deck Width*	5"	127 mm
G	Service Access Dimensions	12" H x 18" L	305 mm x 457 mm
I	Floor Cut-out for Drain	12" x 4"	305 mm x 102 mm



NOTE: Graphics May Not be to Scale

© 2010 Jacuzzi Luxury Bath • For additional information call Customer Service 800-288-4002 • www.jacuzzi.com/technicalspecs

Refer to installation instructions included with fixture before beginning installation. Please confirm product availability and specifications before commencing with any installation work.

PRODUCT SPECIFICATIONS AND AVAILABILITY ARE SUBJECT TO CHANGE WITHOUT NOTICE.

HD23000/HD27000 REL 03/10