



CONTROL CENTER MODEL MS

SPECIFICATIONS

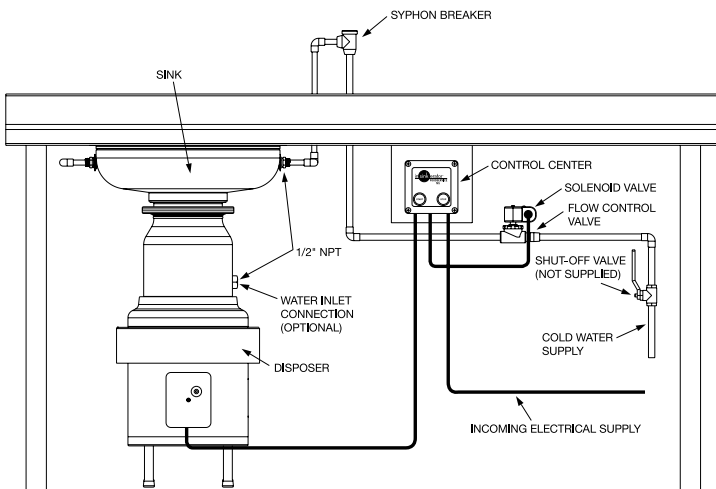
- Push button ON/OFF switch
- High impact polycarbonate construction
- NEMA 4 - water tight enclosure
- Single direction only
- Magnetic starter/provides automatic shut-off in case of power interruption
- Operates on line voltage

VOLTAGE/PHASE AVAILABILITY

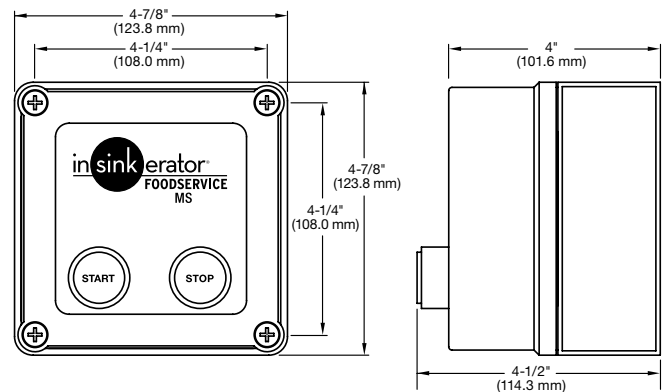
Model	Voltage/Hz	Phase	Disposer Models
MS-4	120V, 50/60 Hz	1 Ph	SS-50 to SS-200
MS-5	208-240V, 50/60 Hz	1 Ph	SS-50 to SS-200
MS-5	208-240V, 50/60 Hz	3 Ph	SS-50 to SS-500
MS-6	380-460V, 50/60 Hz	3 Ph	SS-50 to SS-1000



RECOMMENDED INSTALLATION



DIMENSIONS



NOTE: Use a #8 screw to mount control.

A complete collection of our product drawings is available for download at the **InSinkEerator Revit/CAD Library**, which can be found at www.insinkerator.com/foodservice. Product information is also accessible on **The KCL CADalog**. More information is available from KCL at www.kclcad.com.



4700 21st STREET
 RACINE, WI 53406
 TEL: 800-845-8345
 FAX: 262 554-3620

www.insinkerator.com/foodservice



The Emerson logo is a trademark and a service mark of Emerson Electric Co.

