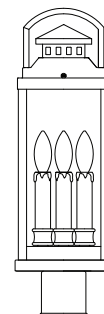
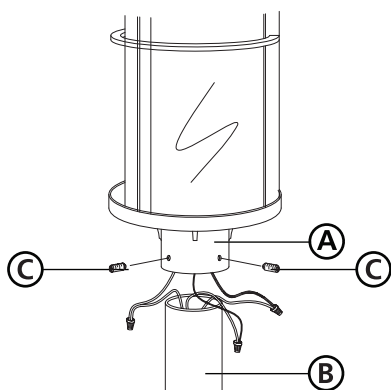


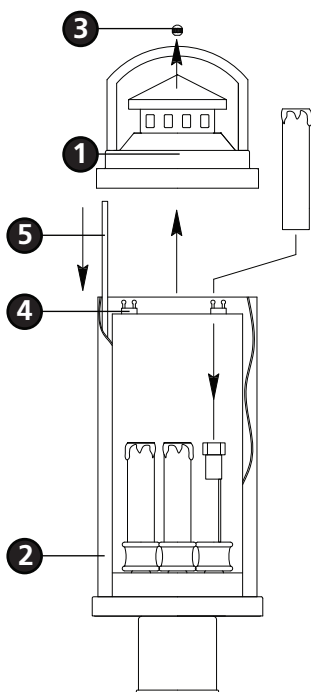
Family: Revere | Item No. 1181 SN



**Drawing 1 - Fixture Mounting**



**Drawing 2 - Lamping Instructions**



## ▼ start here

- 1**
  1. Find a clear area in which you can work.
  2. Unpack fixture and glass from carton.
  3. Carefully review instructions prior to assembly.

**\*\*\* The construction of this fixture will be accomplished by first making all necessary electrical connections, and then mounting the fixture to pre-installed post.**

- 2**
  1. Fixture is mounted using machine screws provided.
  2. Make all necessary electrical connections following wiring instructions below.

**SAFETY WARNING: READ WIRING AND GROUNDING INSTRUCTIONS (I.S. 18) AND ANY ADDITIONAL DIRECTIONS. TURN POWER SUPPLY OFF DURING INSTALLATION. IF NEW WIRING IS REQUIRED, CONSULT A QUALIFIED ELECTRICIAN OR LOCAL AUTHORITIES FOR CODE REQUIREMENTS.**

- 3** Make electrical connections from supply wire to fixture lead wires. Refer to instruction sheet **(I.S. 18)** and follow all instructions to make all necessary wiring connections. Then refer back to this sheet to continue installation of this fixture.

- 4**
  1. After wiring connections are complete, slip post fitter **(A)** over top of pre-installed post **(B)** making sure all wire connections are tucked inside the pole - see **Drawing 1**.
  2. When fixture is slipped over pole make sure no wires are being pinched between the top edge of the pole and the inside of the post fitter.
  3. Thread the 3 set screws **(C)** into the bushing located on the post fitter.
  4. Tighten screws to secure fixture to post.

- 5**
  1. To install glass and to lamp fixture, remove roof **(1)** from main body assembly **(2)**, by removing knob **(3)** from under roof lip - see **Drawing 2**.
  2. To install glass, bend up glass clip **(4)** and slip glass **(5)** into main body assembly **(2)**.
  3. Bend glass clip **(4)** back down to secure glass **(5)**.
  4. After all glass panels are installed, fixture can be lamped accordingly.
  5. Replace roof **(1)** and thread on knobs **(3)**.

Note: Maximum wattage for 1181 fixture is 60 watts per bulb.

5.18.10