

Corner Seat

Elegant Spa Seating



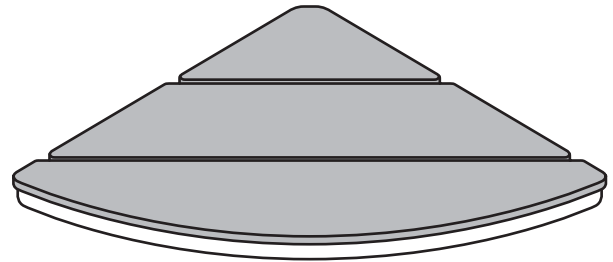
Technical Data Sheet

Product Specification

The corner shower seat shall have a Brazilian Walnut seating surface. The product shall be supported by two 18.5"/47cm hidden supports.

The seat frame shall be constructed of corrosion resistant stainless steel. Product shall have a weight capacity of 500lbs / 227kg.

Product shall comply with ADAAG 5.26.3 specifying the structural strength of grab bars, tubs and shower seats.



Key Features

- Brazilian Walnut Corner Seat
- Solid Construction and Mounting
- Hidden Mounting Brackets
- 500lbs / 227kg Weight Capacity
- Decorative Metal Trim

Codes and Standards

- ADAAG 4.26.3

Specified Model

Model	Trim Finish	Trim Material	Seat Material / Finish	Frame Material
INV-WSCS-BS	Brushed Stainless	Stainless Steel	Brazilian Walnut / Oil finish <small>(does not contain VOCs - Volatile Organic Compounds)</small>	Stainless Steel #4 Finish
INV-WSCS-CP	Polished Chrome			

Corner Seat

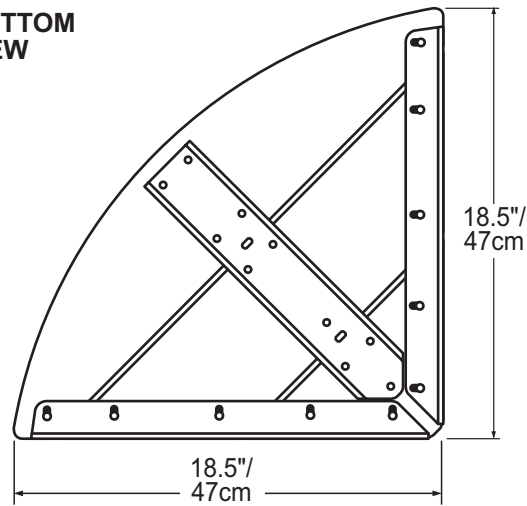
Elegant Spa Seating



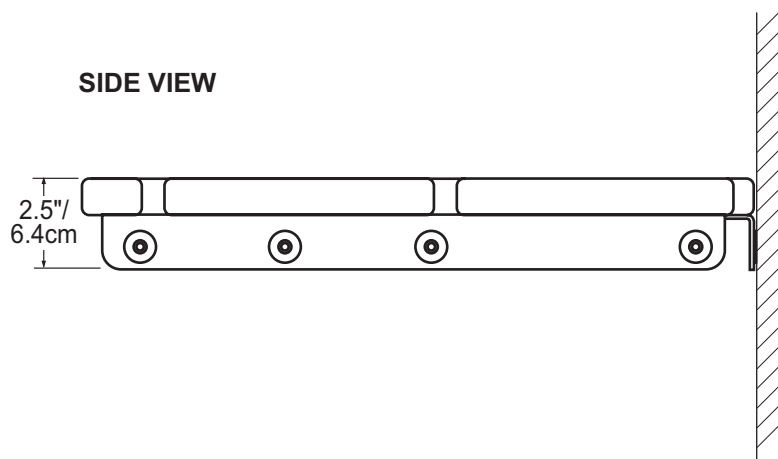
Technical Data Sheet

Product Dimensions

BOTTOM VIEW



SIDE VIEW



Shipping Dimensions

Model	Height (H)	Width (W)	Depth (D)	Weight
WSCS	19.5" / 49.5cm	20" / 50.8cm	3.625" / 9.207cm	13lbs / 5.9kg

