



www.healthcraftproducts.com

# Invisia™ Corner Seat

Installation Instructions: INV-WSCS-BS  
INV-WSCS-CP

## THANK YOU...

Thank you for purchasing the Invisia™ Corner Seat. We are confident that you will find the unique design and durable construction of this product to be of great assistance in your daily routine.

To fully enjoy your Invisia™ Corner Seat, please take a few moments to read these instructions. You should store these instructions in a safe place for future reference.

## ⚠ SAFETY CONSIDERATIONS

**CAUTION:** It is your responsibility to see that your Invisia™ Corner Seat is properly assembled, installed, and cared for. Failure to follow instructions in this manual could result in serious injury. Some surfaces can be slippery when wet - use this product with caution.

### INVISIA™ CORNER SEAT INSTALLATION / MAINTENANCE

The Invisia™ Corner Seat should only be installed in areas where the mounting surface is structurally sound. Strengthening modifications may be required (see page 3 for details). Invisia™ Corner Seat should not be installed in fiberglass / acrylic shower enclosures with insufficient stiffness and strength. Should not be installed into metal studs. If you are not equipped to undertake the outlined work we recommend that you have your Invisia™ Corner Seat installed by a qualified contractor. Seat should only be used for sitting upon - not to be used for other purposes. Do not install seat in locations where seated user and seat are close to direct steam or hot water emissions. Suggested maximum user weight 500lbs/227kg, however this rating is conditional upon suitable fasteners and supporting surface. One person maximum capacity. **WOOD CONTACT SENSITIVITY** - some people may experience a skin rash or other reaction due to contact with certain types of wood. If unsure, test first.

**CLEANING & MAINTENANCE** - Clean seat with water, and then wipe dry using a soft cloth. Do not use abrasive cleaning products.

## WARRANTY

All HealthCraft™ Products are covered by a one year limited warranty with the exception of hand grips which are subject to normal wear. Buyer hereby indemnifies, agrees to hold harmless and defend HealthCraft™ Products Inc. from and against any and all liabilities, claims, (founded and unfounded), losses, damages, costs and expenses (including without limitation consequential damages and reasonable professional fees) resulting from buyers specification, application, or improper use of goods described hereon; buyers omission or neglect.

HealthCraft™ Products Inc. does not assume any liability for damage resulting from services performed by others or faulty installation, misuse or misapplication of goods sold by HealthCraft™ Products Inc.

HealthCraft™ Products Inc. shall not be liable for prospective profits or special, indirect, or consequential damages, or for the cost of any corrective work done without HealthCraft™ Products Inc. prior approval. HealthCraft™ Products Inc. total liability hereunder shall in no event exceed the purchase price of the goods specified hereon.

## ⚠ WOOD PANEL WARNING

In order to retain the natural beauty of the Brazilian Walnut (IPE), each slat is finished with an extremely durable 2-part oil finish that does not contain volatile organic compounds (VOCs) or other harmful chemicals.

A light brown or red discoloration may be noticed in water exposed to the wood, and is due to an excess of pigments (natural oils) in the wood reacting with minerals present in certain types of water (well water, hard water, etc.). This discoloration is a natural reaction often referred to as leaching and should fade over time. The applied oil finish also reduces the effects of leaching. If unsure, test wood in local water prior to installation.

## TIPS FOR DRILLING INTO TILE

- Use carbide tipped masonry drill on ceramic, or consider a diamond tip drill for porcelain tile.
- If possible, drill a smaller pilot hole first.
- Be careful to prevent the drill from moving when you first start it rotating - use duct tape or a wood guide on the surface of the tile to hold the drill from walking sideways.
- A variable speed drill on slow is best to start the hole. Do not apply too much pressure when drilling. Do not use a hammer drill.

## MOUNTING LOCATION

We strongly recommend that you give some thought as to the optimal location of your Invisia™ Corner Seat before installation. The following suggestions are offered for your consideration, however, it is recommended to consider advice from the appropriate healthcare professional for locating of any support product. Also, consider the following when determining the optimal mounting location:

1. Move mounting location to match structure behind the wall.
2. Avoid electrical / plumbing behind the wall.
3. Where possible, drill through tile - not through grout.

The Invisia™ Corner Seat is to be mounted on surfaces perpendicular to each other (i.e. in a corner). If the holes on the bracket do not align with the wood studs, we recommend strengthening modifications to be done (see Page 3 for recommendations). When determining the seat height, consider the height of the user and their capabilities (**NOTE:** ADA guideline specifies seat height of 17-19" above the finished floor).

## TOOLS REQUIRED

- Level
- Hammer
- Stud Finder
- Center Punch
- Personal Protective Eyewear
- Carbide tip drill suitable for tile
- Protective blanket
- No2 Phillips screwdriver

## INSTALLATION INSTRUCTIONS

Place a blanket down in the area that you will be installing the Invisia™ Corner Seat to protect the shower or bathtub surfaces from parts that may fall during installation.

1. Determine height of seat (refer to "Mounting Location" on page 1). The centerline for the mounting bracket holes should be 1-7/8" lower than the seat height as shown in **Figure 1a**.

For example:

Top of Seat Height (19") - 1-7/8" = 17-1/8" (centerline)

2. With a level and a pencil, and working out from the corner, draw a centerline that will enable proper positioning of the mounting brackets as shown in **Figure 1b**.

3. Untighten the screws to remove the metal trim as shown in **Figure 2**. This will allow better access to the mounting holes of the wall brackets. **CAUTION:** The metal trim is held to a curved profile by the screws, and it may spring out once the screws are removed.

4. The wall brackets are designed to be outwardly adjustable as shown in **Figure 3**. This accommodates for walls that are not exactly 90 degrees square. To adjust, shift wall brackets accordingly and ensure both make full contact with walls. Fasteners holding wall bracket to wood panels may have to be loosened to permit shifting.

5. Position bracket holes over the centerline and mark location as shown in **Figure 4**.

**NOTE:** The corner seat may be too heavy to hold up and accurately mark off holes. Consider the following options:

- Mark only one hole on each wall accurately, and use the dimensions from the wall brackets as a template.
- Have one person hold the seat while another marks off the hole locations
- Rest the seat on a support

6. After marking the hole locations, confirm by holding the corner seat in place with a level on top as shown in **Figure 4**.

7. Notch the tile accurately with a center punch. **NOTE:** A light tap is all that is required for punch to make notch.

8. Drill pilot hole for appropriate fastener. Clear away debris from hole that could interfere with the seat sitting flush with the wall.

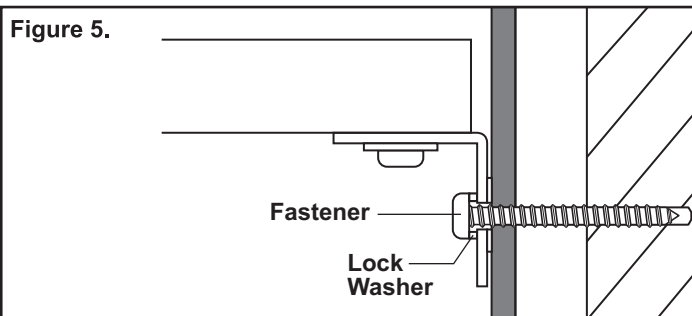
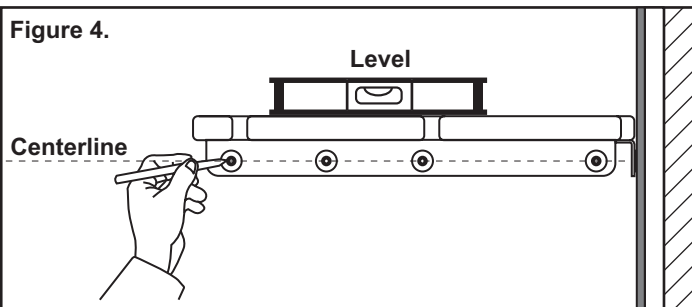
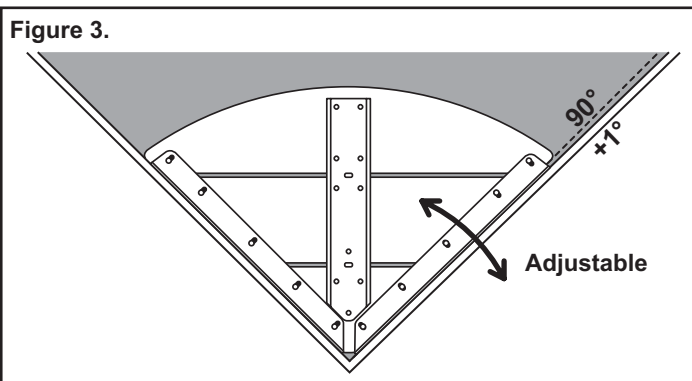
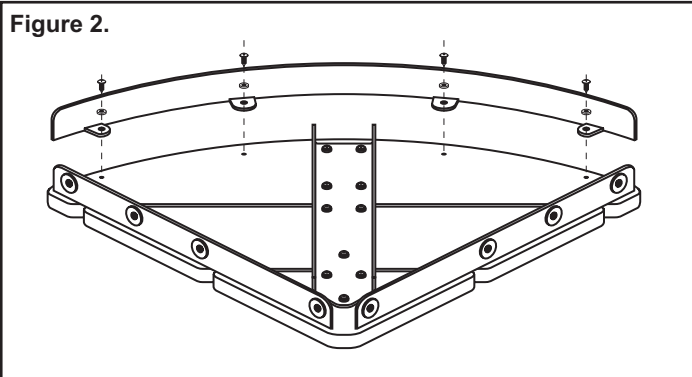
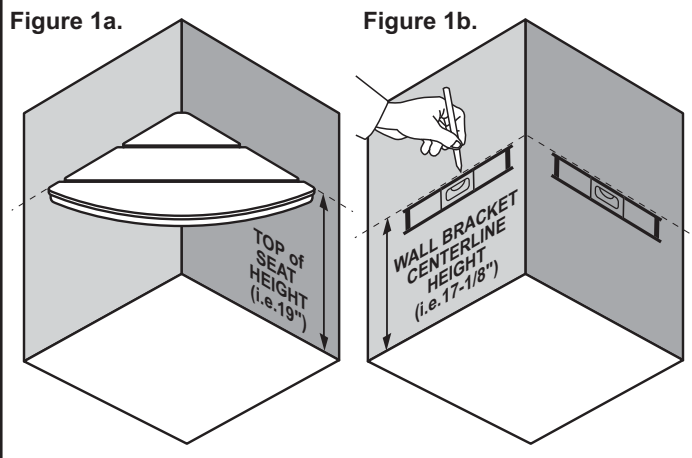
**NOTE:** To improve waterproofing performance of wall bracket rubber washers, apply silicone prior to installation.

9. Secure wall brackets using supplied fasteners and lock washers as shown in **Figure 5**.

**NOTE:** Perform a final tighten and inspection of all fasteners. Test the installation by pushing down / sitting on the seat.

10. Reinstall the curved metal trim onto the bottom of the seat.

Your corner seat is now installed.



## TIPS FOR LOCATING A WOOD STUD

- For drywall surfaces, use a stud sensor to locate a stud.
- For tile surfaces, try a stud sensor to locate a stud. If no stud is found, measure 16" from a perpendicular wall. Drill a small hole in the grout to ensure the stud has been found. If there is no stud at this location, bend a piece of wire in a "L" shape and insert it through the hole. Spin the wire to determine exactly where the stud is located and mark its location. Patch all holes with silicone to keep moisture out of the wall.
- If there is access to the backside of the bathroom wall (i.e. through a closet), measure the stud location and transfer the measurements into the bath area.

## STRUCTURAL REINFORCEMENT SUGGESTIONS

**NOTE:** Due to variances in local construction methods and materials used, details given below are suggestions only. Consult the appropriate local contractor for specific advice. For concrete walls, you may be able to install fasteners (such as a wedge anchor) directly into the concrete wall without modification.

If there is access to the backside of the bathroom wall (i.e. through a closet) and structural reinforcement is required, consider cutting a hole in this backside wall to allow access to the bathroom wall from behind (without having to remove / replace ceramic tiles).

1. Choose optimal mounting height (H) of corner seat wall brackets as shown in **Figure 1**. Mark the height on the wall for future reference.

2. **NOTE:** If accessing the bathroom wall from the backside, transfer the measurements for the corner seat location to the backside wall as shown in **Figure 2**.

3. Find wall support studs & cut hole in wall board to expose half width of each stud to facilitate re-installation of wall board patch. Suggested hole size is height (A) of 18-24" (48-61cm) and width (B) corresponding to wall stud spacing as shown in **Figure 2**. **IMPORTANT: Avoid any utilities located in wall!**

3. Fabricate a support frame structure from suitable wood pieces as shown in **Figure 3**. Support frame width (D) should fit snugly within wall studs. Support frame height (E) should be from 24-32" (61-81cm) high or more, depending on material and stiffness of wall studs. Locate 2x6" cross member (F) to position in center of mounting holes when the corner seat is located at the height (H). Hold the corner seat against the support frame to confirm the cross member is in the correct location. Use a generous quantity of wood screws and glue to hold the support frame structure together as shown. See alternative to support frame as shown in **Figure 3**.

4. Insert support frame structure through hole in wall and secure uprights to wall studs using a generous amount of wood screws.

5. Complete the Invisia™ Corner Seat installation instructions on Page 2. Then, patch the wall cutout (if backside access to bathroom, consider making an access panel for future servicing) to match the surrounding wall.

Figure 1.

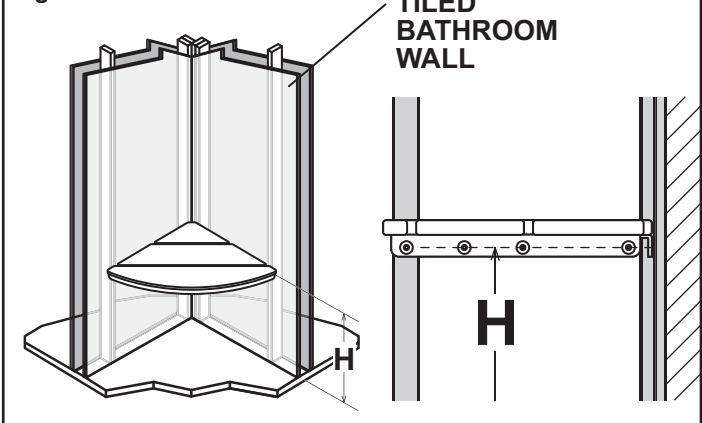


Figure 2.

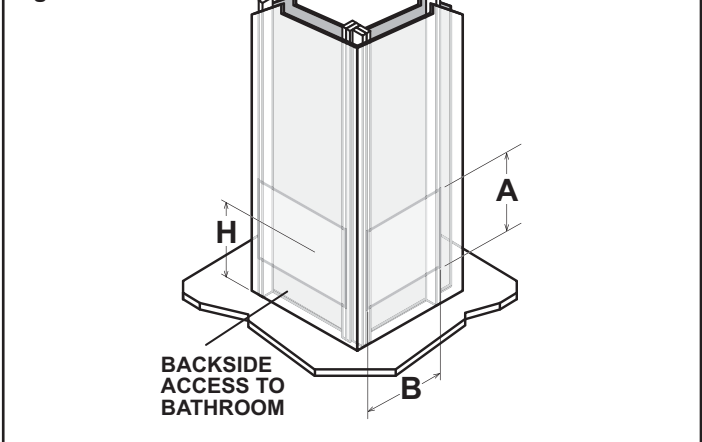


Figure 3a.

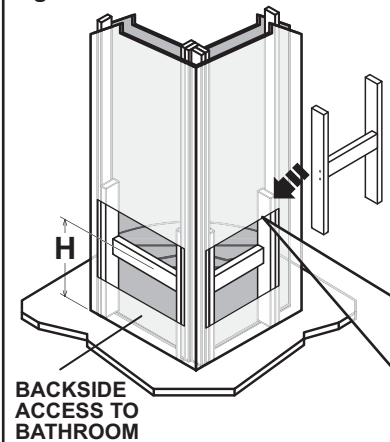


Figure 3b.

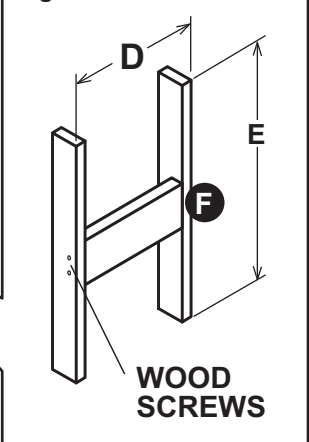
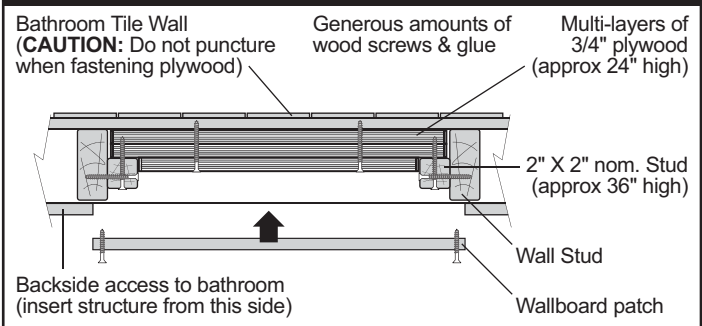
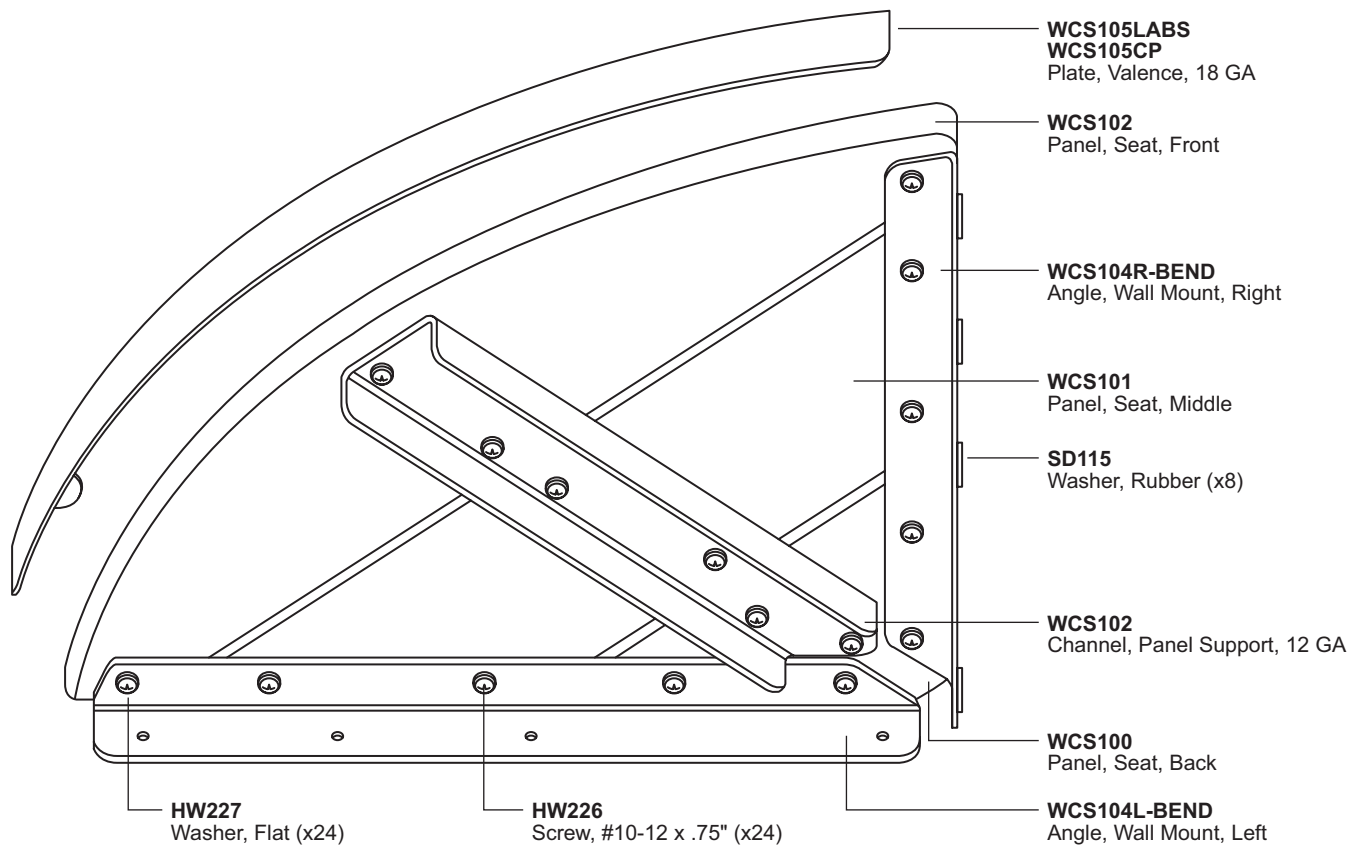


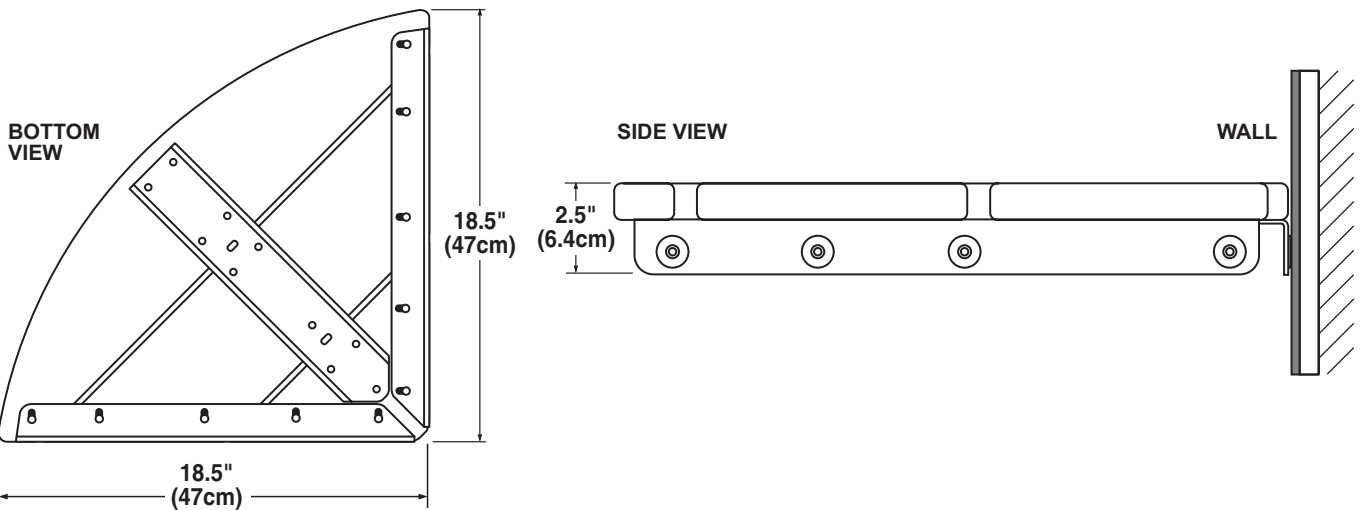
FIGURE 4: ALTERNATIVE TO SUPPORT FRAME - MULTI-LAYER PLYWOOD INSIDE WALL WITH WALLBOARD PATCH (TOP VIEW)



**INVISIA™ CORNER SEAT**



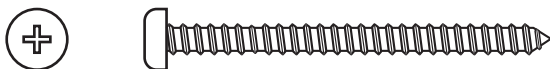
**DIMENSIONAL DRAWINGS**



**HARDWARE**

**HW173**  
Screw, PPH WS, #10-24 x 2", S/S

**x8**



**HW177**  
Washer, Lock, Split, #10 18-8 S/S

**x8**

