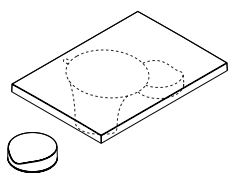
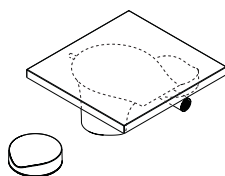


# Installation Instructions / Warranty



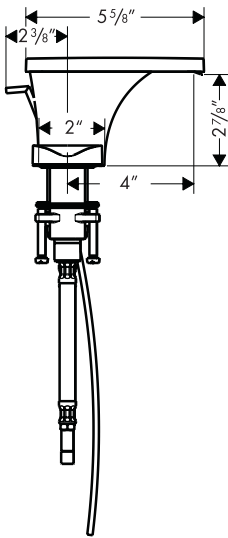
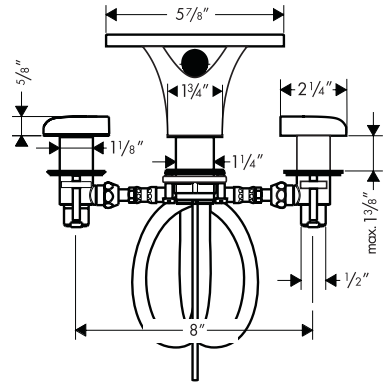
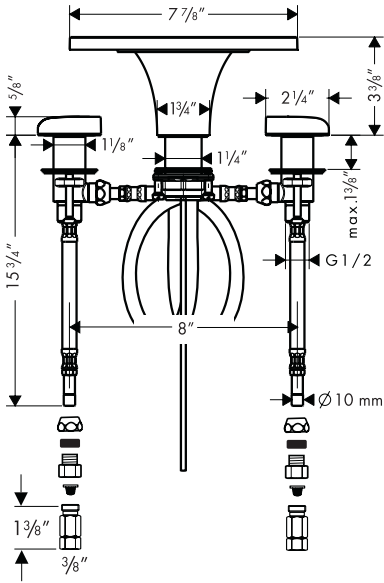
**Massaud**  
18013001



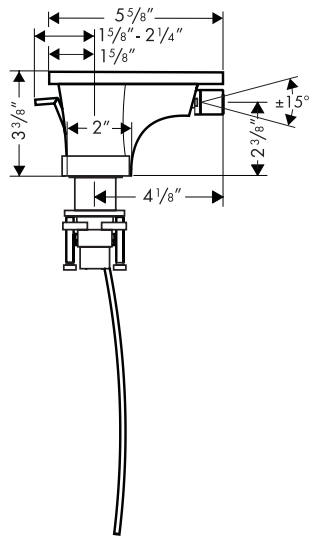
**Massaud**  
18213001

**hangrohe**

Massaud Lavatory Faucet  
 18013001  
 Massaud Bidet Faucet  
 18213001



18013001



18213001

## Product Specification

Max. flow rate	2.2 gpm	
Max. incoming water pressure	145 psi	
Recommended water pressure	14.5 - 72 psi	
Max. hot water temperature	176°F*	
Recommended hot water temp.	120°F - 140°F*	
Hole size in mounting surface		
valves	1 1/4"	
spout	1 3/8"	

Max. thickness of mounting surface 1 3/8"

Lavatory faucet 18013001 includes 10 mm supply hoses. 10 mm - 3/8" adapters included.

Bidet faucet 18213001 requires 1/2" supply lines (not included)

\*Know and follow all applicable local plumbing codes when setting the temperature on the water heater. In Massachusetts, the water heater may be set no higher than 112°F.

## Installation

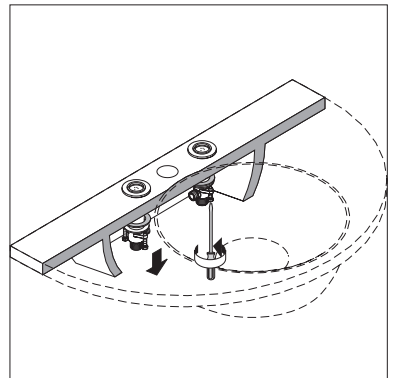
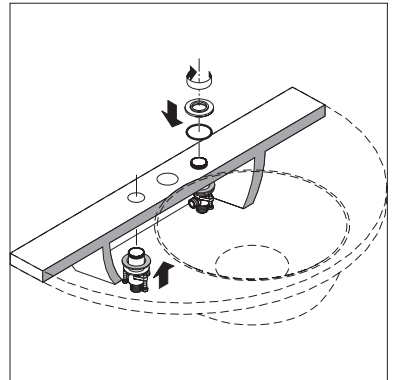
Flush the hot and cold supply lines thoroughly before installing this faucet.

Install the metal washer and friction washer on the valve. From below the mounting surface, push the valve up through the hole (1).

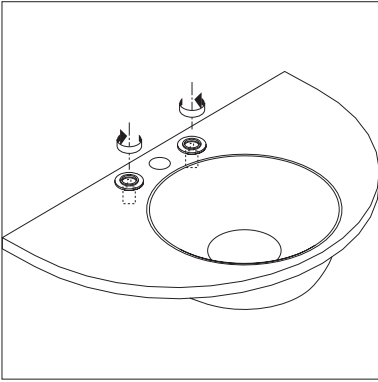
Install the o-ring on the upper mounting plate (2).

Secure the upper mounting plate to the valve by turning it clockwise.

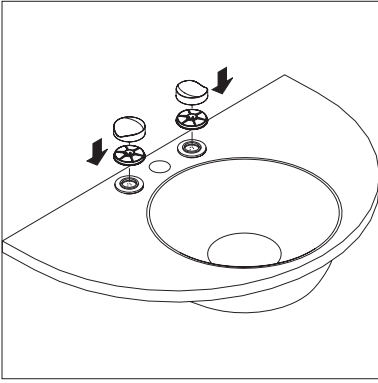
Lower the valve so that the mounting plate rests on the mounting surface (1). Tighten the screws (2).



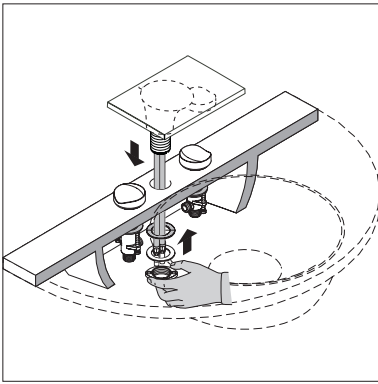
Turn the cartridge stems so that they are in the "off" position. Turn the hot stem clockwise, the cold stem counter-clockwise.



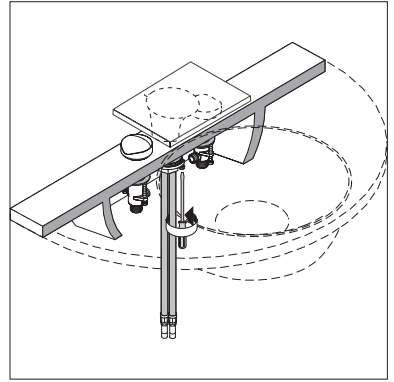
Push the red color ring and hot handle firmly over the hot (left) valve (1). Push the blue color ring and handle firmly over the cold (right) valve (2).



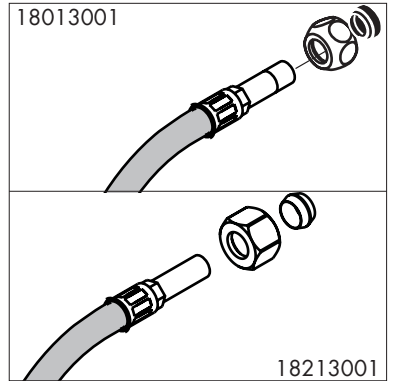
Install the spout assembly to the center hole (1). From below the mounting surface, install the fiber washer, metal washer, and mounting nut (2).



Tighten the tensioning screws.



Place a compression nut and compression ferrule over the end of the connection hose – the lavatory ferrule should be installed metal side first.



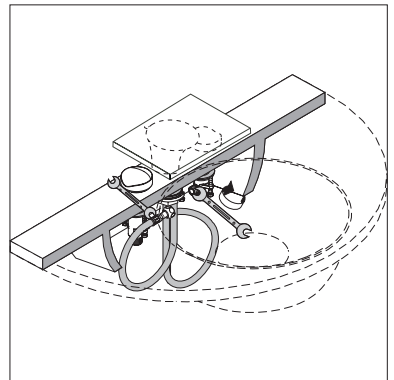
Attach the connection hose to the valve outlet port. Use two wrenches, as shown, to keep the hose from twisting. Tighten wrench tight. Repeat with the second hose and valve.

**Bidet faucet 18213001 only:**

Install 1/2" supply lines (not included).

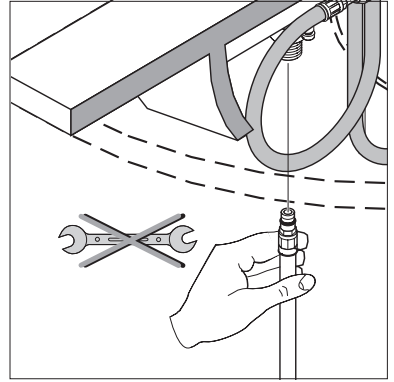
Install the drain pull rod.

Install the pop-up drain (see page 8).

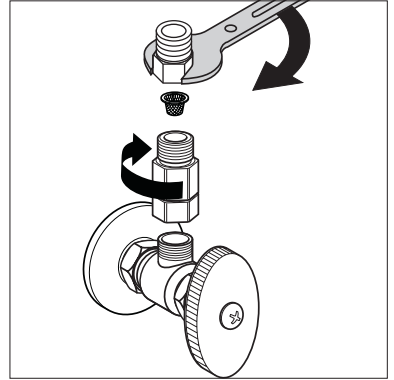


**The following steps apply only to lavatory faucet 18013001:**

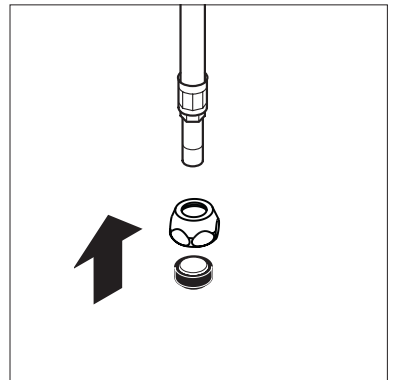
Install the hot and cold supply hoses to the valve inlet ports by hand – do not use a wrench. Be careful not to twist or kink the hoses.



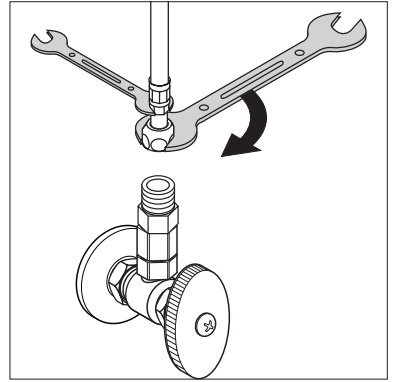
Install the filters on the stops. Install the adapters on the filters.



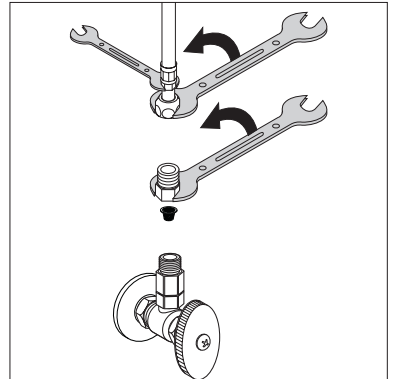
Push the compression nut and ferrule (metal side first) over the end of the hose.



Push the end of the hose into the adapter. While holding the hose steady with an 11 mm wrench, use a 19 mm wrench to tighten the compression nut.



If the flow of water from the faucet becomes less over time, remove and clean the filter screens.



Install the drain pull rod.

Install the pop-up drain (see page 8).

## Install the pop-up drain

Remove the plunger assembly.

Unscrew the drain outlet flange from the tee.

Unscrew the tailpiece from the tee. Wrap the threads with plumbers' thread tape and replace.

Install the white, flexible sealing gasket to the flange. Place it in the sink outlet.

From under the sink, install the black mack gasket, white friction ring and retainer nut to the flange. Do not tighten the nut against the bottom of the sink at this time.

Thread the tee and tailpiece to the flange. The pivot must face the faucet. If necessary, turn the drain assembly.

Tighten the retainer nut.

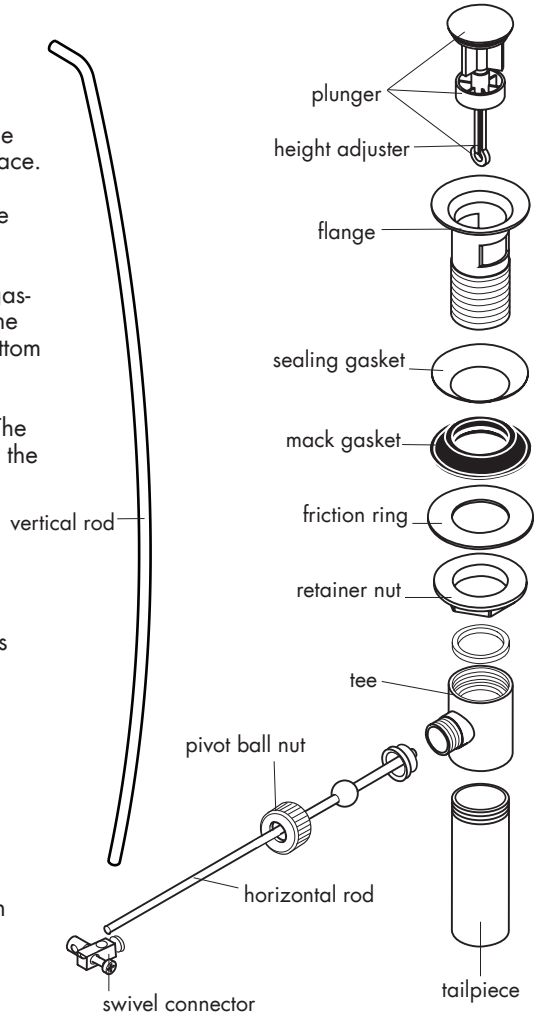
Place the plunger assembly in the drain.

Install the horizontal rod so that the end goes through the loop in the bottom of the height adjuster.

Install and hand tighten the pivot ball nut.

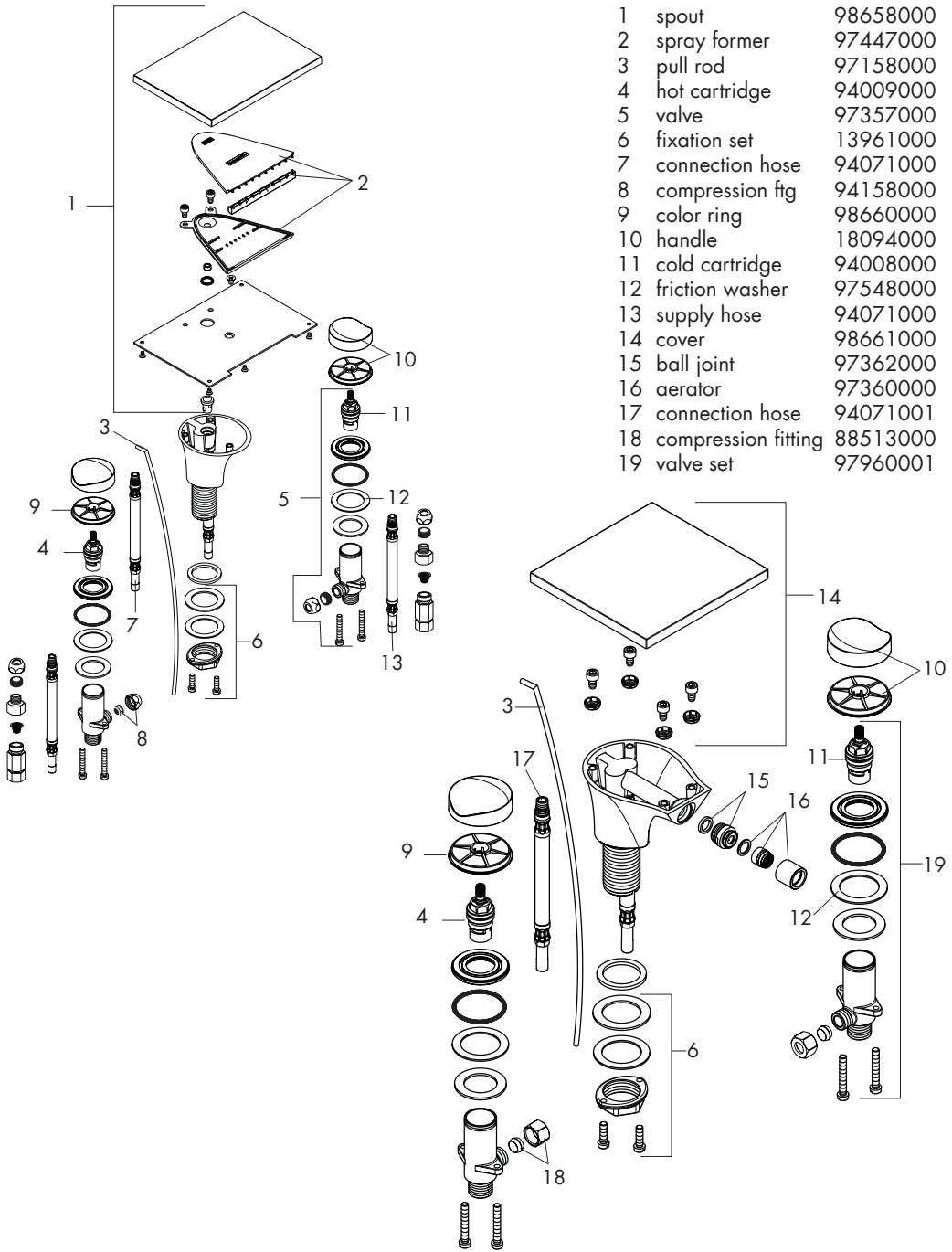
Attach the swivel connector to the end of the horizontal rod.

Attach the swivel connector to the end of the vertical rod. Position as desired and tighten with a small, flathead screwdriver.





# Replacement Parts



1	spout	98658000
2	spray former	97447000
3	pull rod	97158000
4	hot cartridge	94009000
5	valve	97357000
6	fixation set	13961000
7	connection hose	94071000
8	compression fgt	94158000
9	color ring	98660000
10	handle	18094000
11	cold cartridge	94008000
12	friction washer	97548000
13	supply hose	94071000
14	cover	98661000
15	ball joint	97362000
16	aerator	97360000
17	connection hose	94071001
18	compression fitting	88513000
19	valve set	97960001

# Cleaning Recommendation for Hansgrohe Products

Modern sanitary faucetry and shower fixtures consist of very different materials to comply with the needs of the market with regard to design and functionality.

To avoid damage and returns, it is necessary to consider certain points when cleaning:

## Cleaning materials for faucets and shower products:

Acids are necessary ingredients of cleaning materials for removing lime. However, please pay attention to the following points when cleaning faucets and shower products:

- Use only cleaning materials intended for the application.
- Never use cleaning materials which contain hydrochloric, formic, or phosphoric, or acetic acid, as these can cause considerable damage.
- Do not mix one cleaning material with another.
- Do not use abrasives, such as cleaning powders, sponge pads, or microfiber cloths.

## Cleaning Instructions for Faucets and Shower Products:

Please follow the cleaning material manufacturer's instructions. In addition, please note the following:

- Clean your faucets and shower products as and when required.
- Follow the label instructions. Do not allow any cleaner to remain on the product for longer than necessary.
- Regular cleaning will prevent scale buildup and water spotting.
- When using spray cleaners, spray first onto a sponge or cloth. Do not spray directly onto the faucet or shower product as drops could enter openings or gaps and cause damage.
- After cleaning, rinse thoroughly with clear water to remove any cleaner residue.

## Important

Residues of liquid soaps, shampoos, and shower foams can also cause damage, so rinse with clean water after using.

## Please note:

- If the surface is already damaged, the effect of cleaning materials will cause further damage.
- Components with damaged surfaces must be replaced, otherwise, this could cause injury.
- Damage caused by improper treatment will not be covered by our warranty.

## Limited Lifetime Consumer Warranty

This product has been manufactured and tested to the highest quality standards by Hansgrohe, Inc. ("Hansgrohe"). This warranty is limited to Hansgrohe products which are purchased by a consumer in the United States after March 1, 1996, and installed in either the United States or Canada.

### WHO IS COVERED BY THE WARRANTY

This warranty extends to the original consumer purchaser only. This warranty is non-transferable.

### WHAT IS COVERED BY THE WARRANTY

This warranty covers only your Hansgrohe manufactured product. Hansgrohe warrants this product against defects in material or workmanship as follows: Hansgrohe will repair at no charge for parts only or, at its option, replace any product or part of the product that proves defective because of improper workmanship and/or material, under normal installation, use, service and maintenance. If Hansgrohe is unable to provide a replacement and repair is not practical or cannot be timely made, Hansgrohe may elect to refund the purchase price in exchange for the return of the product.

### LENGTH OF WARRANTY

Replacement or repaired parts of products will be covered for the term of this warranty as stated in the following two sentences. If you are a consumer who purchased the product for use primarily for personal, family, or household purposes, this warranty extends for as long as you own the product and the home in which the product is originally installed. If you purchased the product for use primarily for any other purpose, including, without limitation, a commercial purpose, this warranty extends only (i) for 1 year, with respect to Hansgrohe and Commercial products,

and (ii) for 5 years, with respect to AXOR products.

THIS WARRANTY DOES NOT COVER, AND HANSGROHE WILL NOT PAY FOR:

- A. Conditions, malfunctions or damage not resulting from defects in material or workmanship.
- B. Conditions, malfunctions or damage resulting from (1) normal wear and tear, improper installation, improper maintenance, misuse, abuse, negligence, accident or alteration, or (2) the use of abrasive or caustic cleaning agents or “no-rinse” cleaning products, or the use of the product in any manner contrary to the product instructions. (3) Conditions in the home such as excessive water pressure or corrosion.
- C. Labor or other expenses for the disconnection, deinstallation, or return of the product for warranty service, or for installation or reinstallation of the product (including but not limited to proper packaging and shipping costs), or for installation or reinstallation of the product.
- D. Accessories, connected materials and products, or related products not manufactured by Hansgrohe.

TO OBTAIN WARRANTY PARTS OR INFORMATION

Contact your Hansgrohe retailer, or contact Technical Service at:

Hansgrohe Inc.  
1492 Bluegrass Lakes Parkway  
Alpharetta GA 30004  
Toll-free (800) 334-0455.

In requesting warranty service, you will need to provide

- 1. The sales receipt or other evidence of the date and place of purchase.
- 2. A description of the problem.
- 3. Delivery of the product or the defective part, postage prepaid and carefully packed and insured, to Hansgrohe Inc. 1492 Bluegrass Lakes Parkway, Alpharetta, Georgia 30004, Attention: Technical Service, if required by Hansgrohe.

When warranty service is completed, any repaired or replacement product or part will be returned to you postage prepaid.

EXCLUSIONS AND LIMITATIONS

REPAIR OR REPLACEMENT (OR, IN LIMITED CIRCUMSTANCES, REFUND OF THE PURCHASE PRICE) AS PROVIDED UNDER THIS WARRANTY IS THE EXCLUSIVE REMEDY OF THE PURCHASER. HANSGROHE NEITHER ASSUMES NOR AUTHORIZES ANY PERSON TO CREATE FOR IT ANY OBLIGATION OR LIABILITY IN CONNECTION WITH THIS PRODUCT.

HANSGROHE SHALL NOT BE LIABLE TO PURCHASER OR ANY PERSON FOR ANY INCIDENTAL, SPECIAL, OR CONSEQUENTIAL DAMAGES, ARISING OUT OF BREACH OF THIS WARRANTY OR ANY IMPLIED WARRANTY (INCLUDING MERCHANTABILITY).

Some States do not allow the exclusion or limitation of incidental or consequential damages, so the above limitation or exclusion may not apply to you. This warranty gives you specific legal rights, and you may have other rights which vary from State to State. You may be required by law to give us a reasonable opportunity to correct or cure any failure to comply before you can bring any action in court against us under the Magnuson-Moss Warranty Act.

PRODUCT INSTRUCTIONS AND QUESTIONS

Upon purchase or prior to installation, please carefully inspect your Hansgrohe product for any damage or visible defect. Prior to installing, always carefully study the enclosed instructions on the proper installation and the care and maintenance of the product. If you have questions at any time about the use, installation, or performance of your Hansgrohe product, or this warranty, please call or write to us or call us toll-free at 800 334 0455.

**hansgrohe**

Hansgrohe, Inc. • 1490 Bluegrass Lakes Parkway • Alpharetta, GA 30004  
Tel. 770 360-9880 • Fax 770 360 9887

**[www.hansgrohe-USA.com](http://www.hansgrohe-USA.com)**