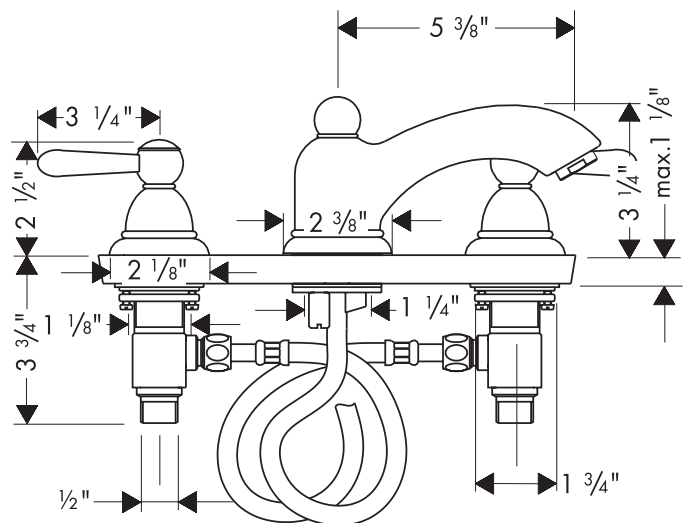
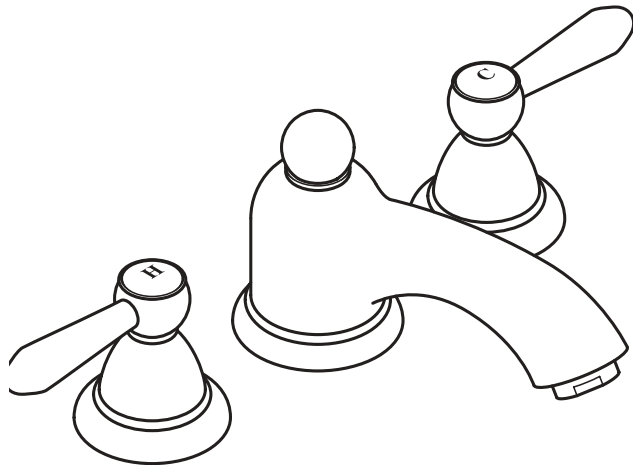


# Carlton Widespread Lavatory Set 17135XX1 Lever Handles

Available in Chrome (00), Chrome/Gold (09), Oil Rub Bronze (62), Brushed Nickel (82), Polished Nickel (83), Polished Brass (93)



## Product Specification

Hole Size in mounting surface	Valve	1-1/4"
	Spout	1-1/2"
Maximum mounting surface depth		1 1/8"
Flow Rate		2.2 GPM
Maximum Operating Pressure		145 PSI
Recommended Operating Pressure		22 - 72.5 PSI
Recommended Hot Water Temp		120° - 140° F*
Ceramic valve cartridges		

\*Some governing bodies require that the water heater be set to 120°F or less. Please know and follow all local codes when setting the temperature on the water heater.

**AXOR**<sup>®</sup>