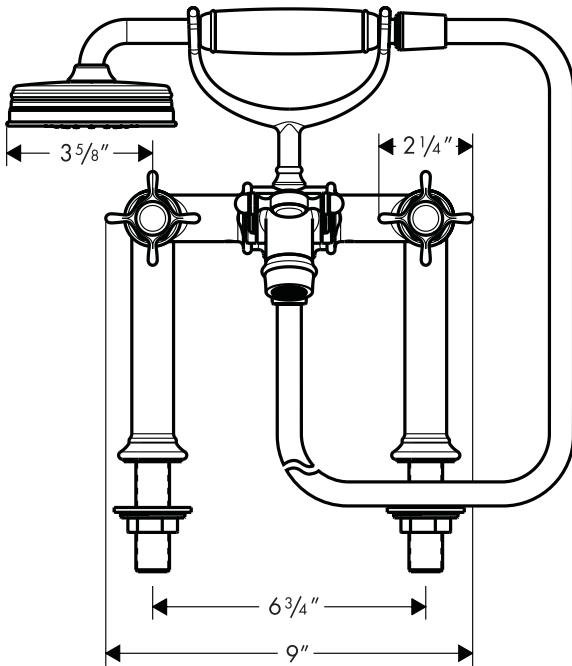


Axor Montreux Tub Filler, Rim Mounted

16542XX1



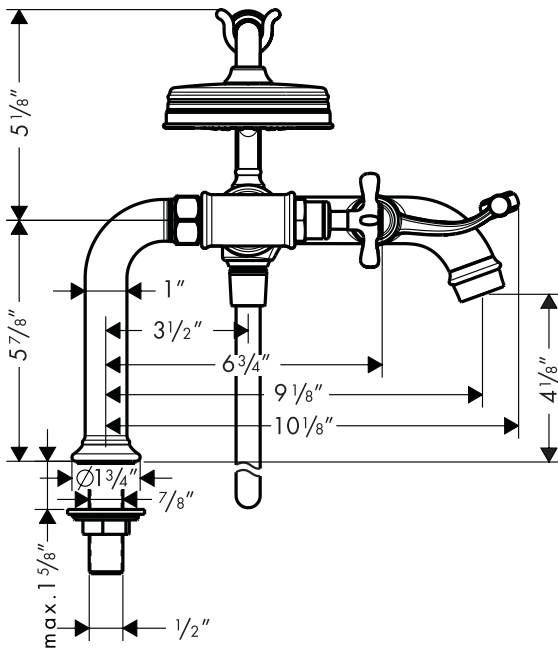
Product Features

- Traditional cross handles with 90° ceramic cartridges
- Solid brass
- Mounts on rim of tub or on tub deck
- Flow rate from tub filler: approx. 5.8 gpm @ 44 psi
- 1/2" male NPT inlets
- Includes Axor Montreux handshower – flow rate 2.5 gpm
- Includes 49" handshower hose
- Protection against backflow provided by check valve

Code Compliance

This unit meets or exceeds the following:

- ASME A112.18.1
- CSA B125.1
- Listed by IAPMO
- Approved for use in Massachusetts



Available Finishes

Chrome	16542001
Brushed Nickel	16542821
Polished Nickel	16542831

Installation Notes

- Not anti-scald – install in-line pressure balance valve 13418181 if required by local code
- Requires 1/2" hot and cold supplies

The measurements shown are for reference only.

Products and specifications shown are subject to change without notice.

Specification sheet revised 12/2007