

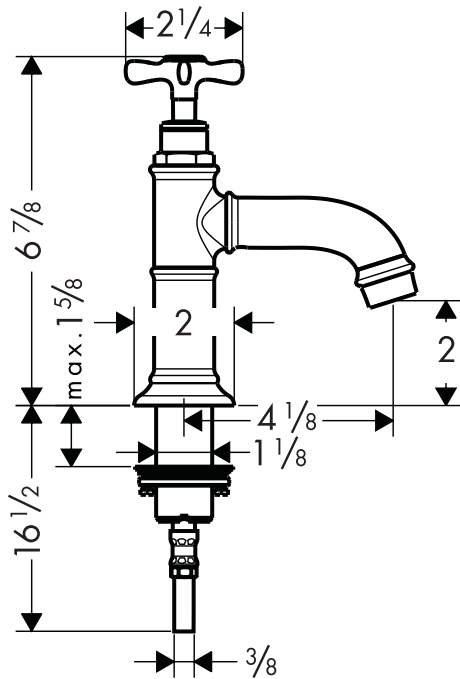
Product Features

- Traditional cross handle with 90° ceramic cartridge
- Single hole installation
- Solid brass
- Hot or cold only
- 2.2 gpm max.

Code Compliance

This unit meets or exceeds the following:

- ASME A112.18.1
- CSA B125.1
- Listed by IAPMO
- Approved for use in Massachusetts



Available Finishes

Chrome	16530001
Brushed Nickel	16530821
Polished Nickel	16530831

Optional Accessories

Cap kit set	16911XX0
Grid drain	06400XX0

Installation Notes

- 3/8" supply hose – requires 3/8" compression fitting

The measurements shown are for reference only.

Products and specifications shown are subject to change without notice.

Specification sheet revised 12/2007