

Product Features

- Single handle operation
- Pivoting aerator
- 2.2 gpm
- Includes pop-up drain
- 10 mm supply hoses with $\frac{3}{8}$ " adapters

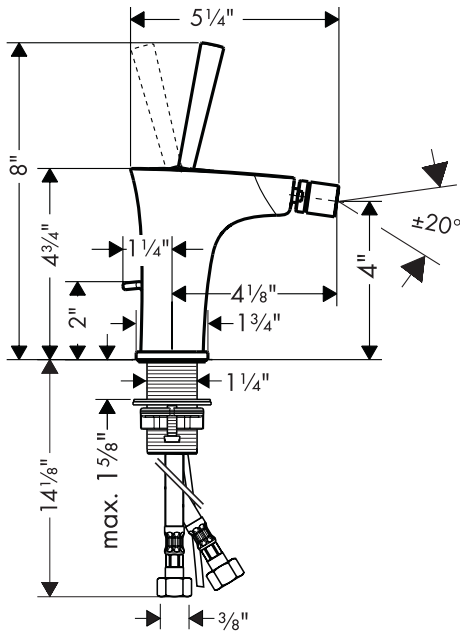
Available Finishes

Chrome

15270001

White/Chrome

15270401



The measurements shown are for reference only.

Products and specifications shown are subject to change without notice.

Specification sheet revised 5/2009