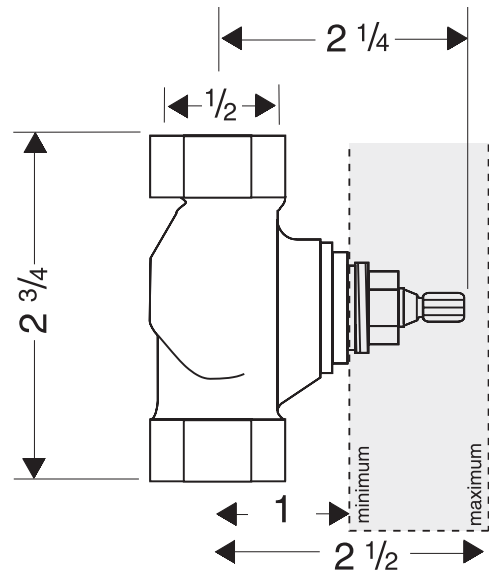
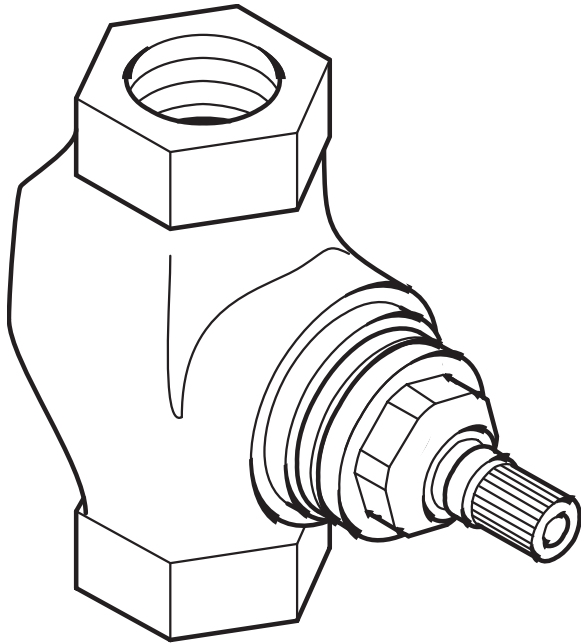


Rough, 1/2" Volume Control

13974181

Listed by IAPMO



the surface of the finished wall must fall between the minimum and maximum lines.

Product Specification

Requires trim kit (not included)

Max. flow rate @ 45 PSI

10.5 GPM*

Quarter turn ceramic cartridge

1/2" NPT female connections

*The actual flow rate will be limited to that of the mixing valve.

hansgrohe