

Product Features

- Thermostatic temperature control
- Volume control for one outlet
- 100° safety stop
- Flow rate 8 GPM @ 44 psi

Code Compliance

This unit meets or exceeds the following:

- ASME A112.18.1 / CSA B125.1
- ASSE 1016
- Listed by IAPMO
- Approved for use in Massachusetts

Available Finishes

Chrome	04230000
Brushed Nickel	04230820
Polished Nickel	04230830

Required Accessories

iBox Universal Plus rough valve	01850181
---------------------------------	----------

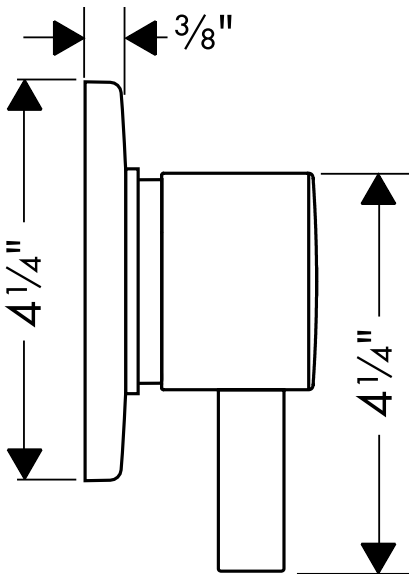
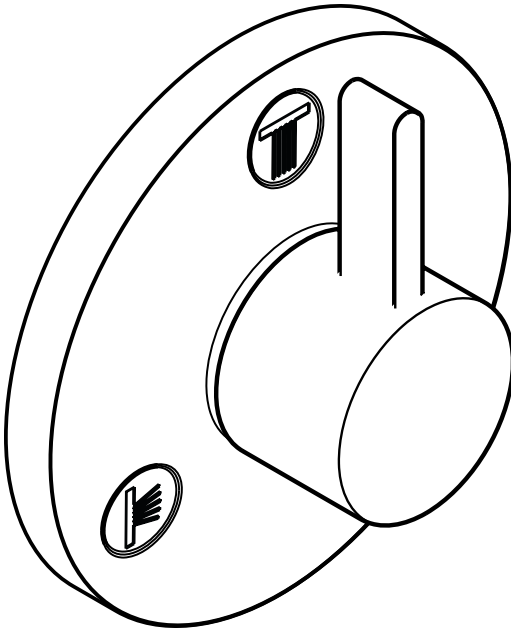
Optional Accessories

7/8" shallow rough-in set	13596xx0
---------------------------	----------

The measurements shown are for reference only.

Products and specifications shown are subject to change without notice.

Specification sheet revised 8/2010



Product Features

- Lever handle
- Coordinates with Metris S, Talis S, Focus S

Code Compliance

This unit meets or exceeds the following:

- ASME A112.18.1 / CSA B125.1
- Listed by IAPMO
- Approved for use in Massachusetts

Available Finishes

Chrome	04232000
Brushed Nickel	04232820
Polished Nickel	04232830

Required Accessories

Quattro rough	15930181
Trio rough	15984181

Optional Accessories

1" Extension set	96370000
------------------	----------

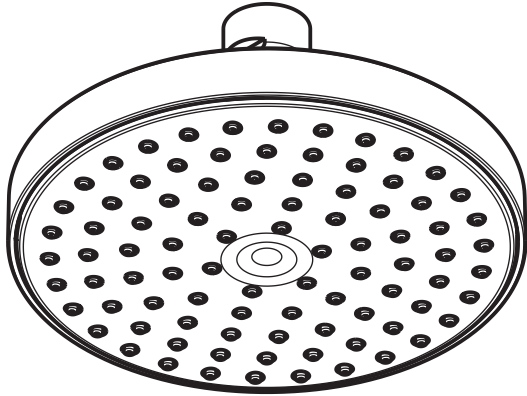
The measurements shown are for reference only.

Products and specifications shown are subject to change without notice.

Specification sheet revised 8/2010

Raindance S 150 AIR 1-Jet Showerhead

27486XX1



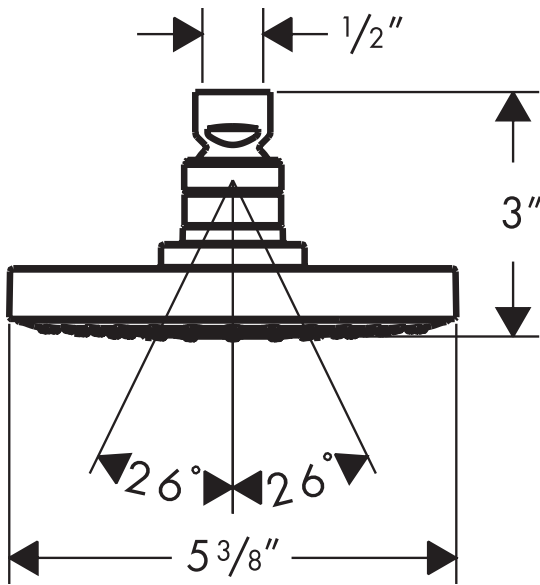
Product Features

- Oversized spray face
- AIR injection technology
- Refreshing full spray
- 96 no-clog spray channels
- Rubit™ self cleaning system
- 2.5 gpm max.

Code Compliance

This unit meets or exceeds the following:

- ASME A112.18.1
- CSA B125.1
- Listed by IAPMO
- Approved for use in Massachusetts



Available Finishes

Chrome

27486001

Brushed Nickel

27486821

The measurements shown are for reference only.

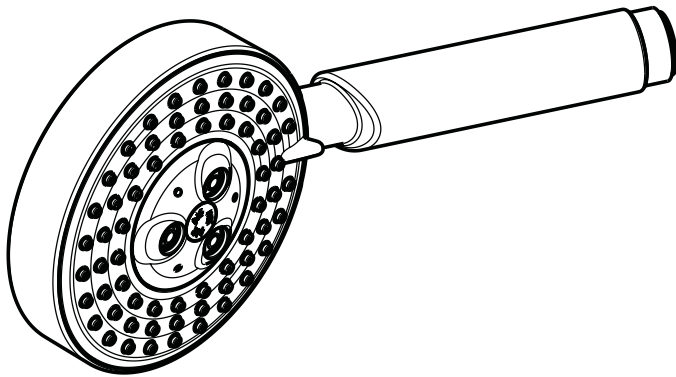
Products and specifications shown are subject to change without notice.

Specification sheet revised 1/2008

hansgrohe

Raindance S 100 AIR 3-Jet Handshower

28504XX1



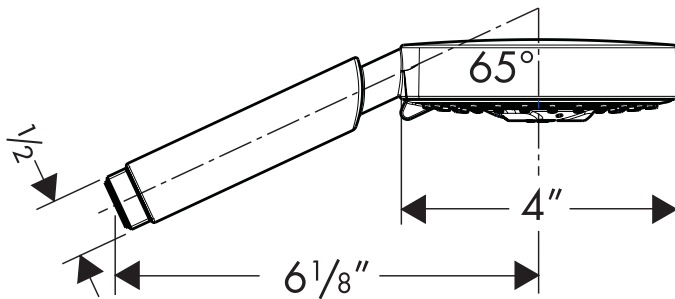
Product Features

- Oversized spray face
- AIR injection technology
- Rubit™ cleaning system
- Three spray modes: AIR, Whirl AIR, Balance AIR
- 65 no-clog spray channels
- 2.5 gpm max.

Code Compliance

This unit meets or exceeds the following:

- ASME A112.18.1
- CSA B125.1
- Listed by IAPMO
- Approved for use in Massachusetts



Available Finishes

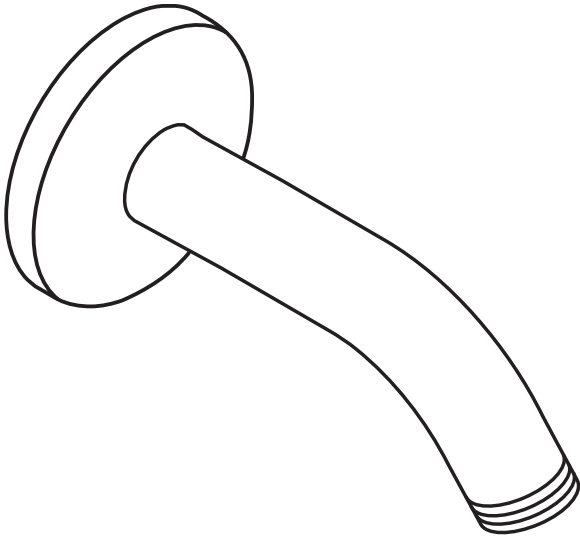
Chrome	28504001
Brushed Nickel	28504821
Polished Nickel	28504831
Polished Brass	28504931

The measurements shown are for reference only.

Products and specifications shown are subject to change without notice.

Specification sheet revised 1/2008

hansgrohe

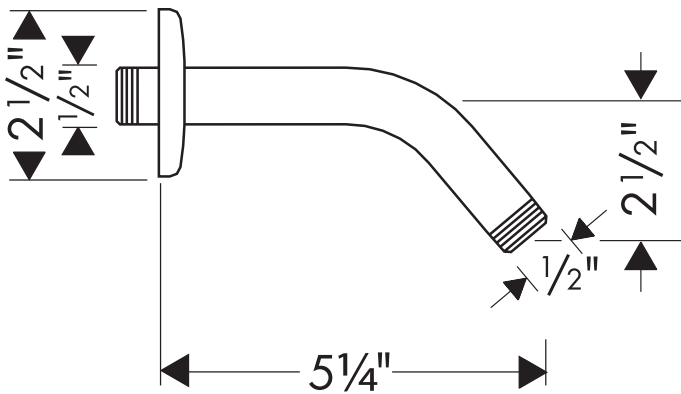


Product Features

- 1/2" male inlet
- Includes escutcheon
- Not for use with oversized or square showerheads

Available Finishes

Chrome	27411003
Oil Rubbed Bronze	27411623
Brushed Nickel	27411823
Polished Nickel	27411833
Rubbed Bronze	27411923
Polished Brass	27411933



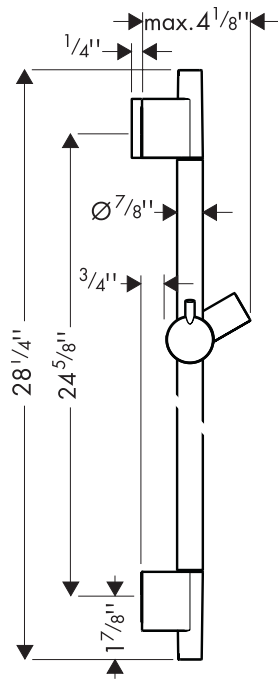
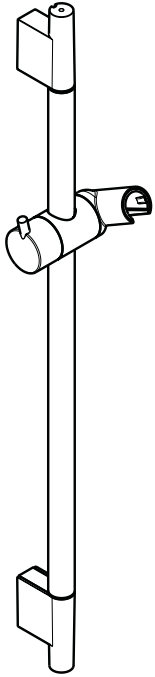
Optional Accessories

C Escutcheon for standard showerarm	04068XX0
-------------------------------------	----------

The measurements shown are for reference only.

Products and specifications shown are subject to change without notice.

Specification sheet revised 1/2009



Product Features

- Handshower holder moves up and down, angle adjustable
- Knob with finger grip for easy slide adjustment

Available Finishes

Chrome	28632000
Brushed Nickel	28632820

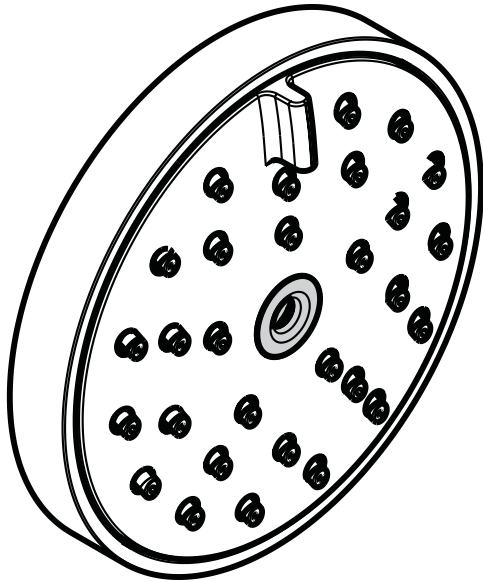
Optional Accessories

Cassetta'S Puro Soap Dish	28679000
Cassetta'S Double Soap Dish	28675000

The measurements shown are for reference only.

Products and specifications shown are subject to change without notice.

Specification sheet revised 1/2008



Product Features

- 4" large flat spray
- Mounts flush to wall
- AIR injection
- 1 gpm
- 1/2" NPT female inlet

Code Compliance

This unit meets or exceeds the following:

- ASME A112.18.1
- CSA B125.1
- Listed by IAPMO
- Approved for use in Massachusetts

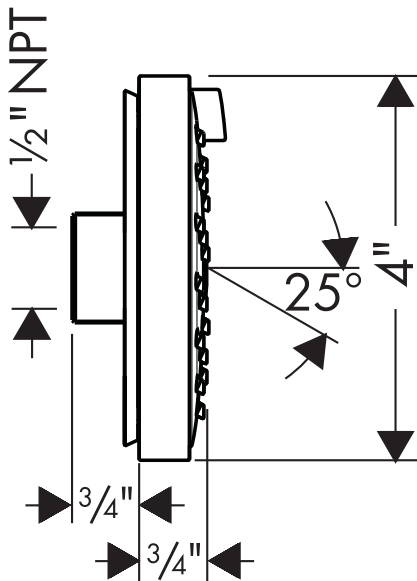
Available Finishes

Chrome

28477001

Brushed Nickel

28477821



The measurements shown are for reference only.

Products and specifications shown are subject to change without notice.

Specification sheet revised 7/2008

Product data sheet

Wall Outlet with Check Valve

Description

- 1/2" NPT female inlet
- Internal check valves
- Fits all 1/2" hoses

Finish	Model no.	List Price
chrome	27458003	70.00 USD
oil rubbed bronze	27458623	101.00 USD
brushed nickel	27458823	101.00 USD
polished nickel	27458833	92.00 USD
polished brass	27458933	92.00 USD

Product image

