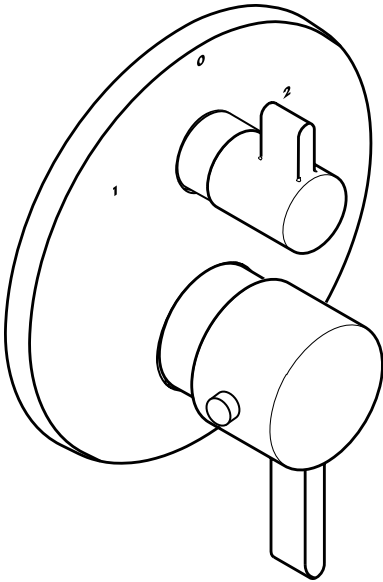


S Trim, Thermostat with Volume Control and Diverter

04231XX0



Product Features

- Thermostatic temperature control
- Volume control and diverter for two outlets
- 100° F safety stop
- Flow rate 8 gpm @ 44 psi

Code Compliance

This unit meets or exceeds the following:

- ASME A112.18.1 / CSA B125.1
- ASSE 1016
- Listed by IAPMO
- Approved for use in Massachusetts

Available Finishes

Chrome

04231000

Brushed Nickel

04231820

Required Accessories

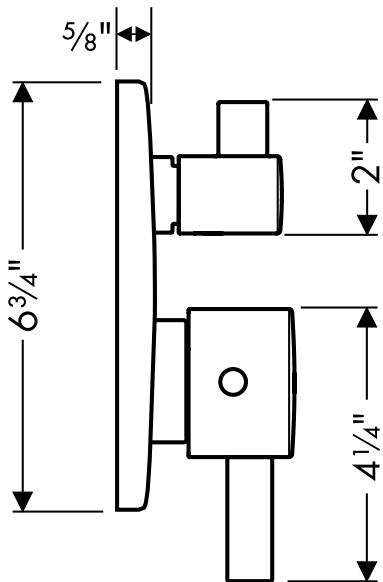
iBox Universal Plus

01850181

Optional Accessories

Shallow extension set

13596XX0

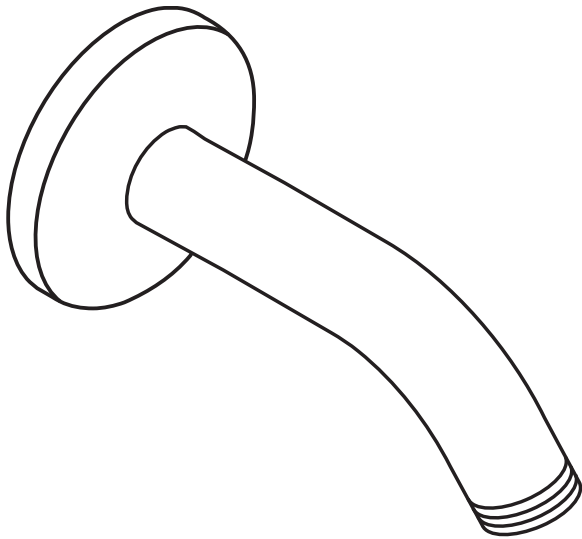


The measurements shown are for reference only.

Products and specifications shown are subject to change without notice.

Specification sheet revised 8/2010

hansgrohe

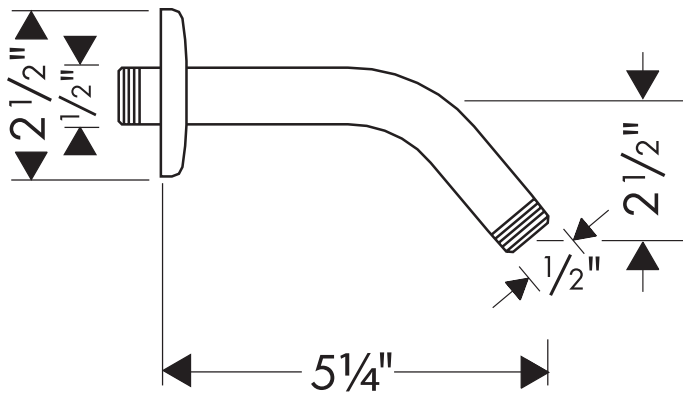


Product Features

- 1/2" male inlet
- Includes escutcheon
- Not for use with oversized or square showerheads

Available Finishes

Chrome	27411003
Oil Rubbed Bronze	27411623
Brushed Nickel	27411823
Polished Nickel	27411833
Rubbed Bronze	27411923
Polished Brass	27411933



Optional Accessories

C Escutcheon for standard showerarm	04068XX0
-------------------------------------	----------

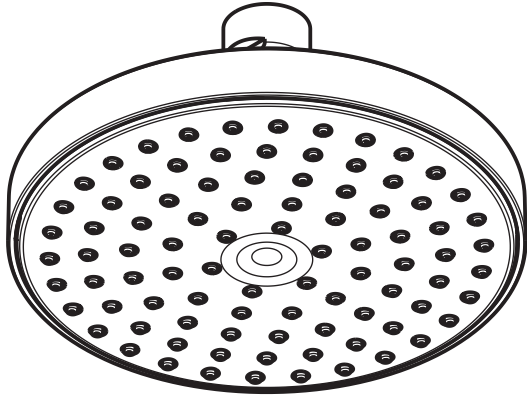
The measurements shown are for reference only.

Products and specifications shown are subject to change without notice.

Specification sheet revised 1/2009

Raindance S 150 AIR 1-Jet Showerhead

27486XX1



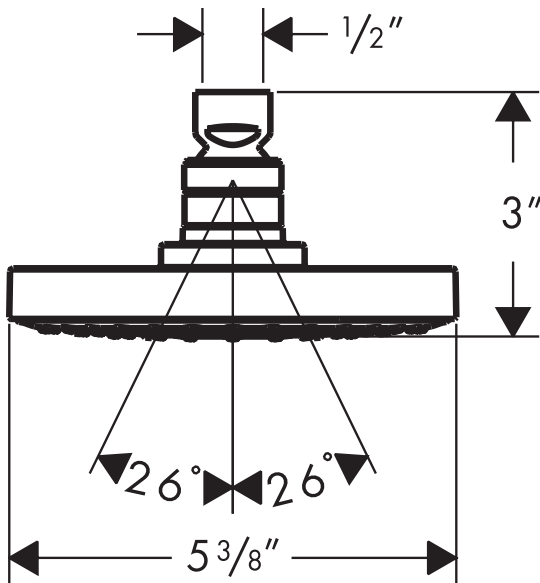
Product Features

- Oversized spray face
- AIR injection technology
- Refreshing full spray
- 96 no-clog spray channels
- Rubit™ self cleaning system
- 2.5 gpm max.

Code Compliance

This unit meets or exceeds the following:

- ASME A112.18.1
- CSA B125.1
- Listed by IAPMO
- Approved for use in Massachusetts



Available Finishes

Chrome

27486001

Brushed Nickel

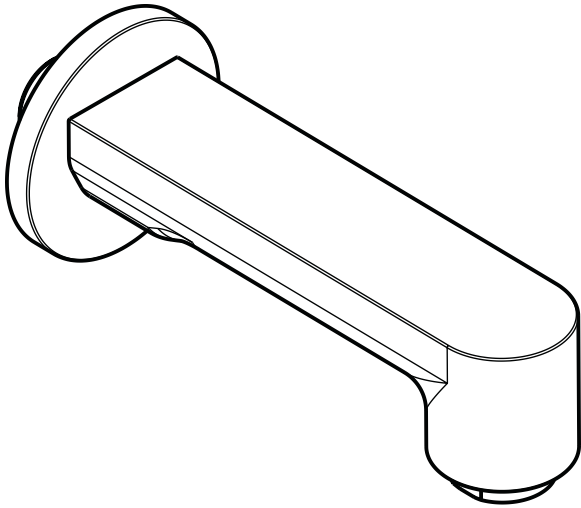
27486821

The measurements shown are for reference only.

Products and specifications shown are subject to change without notice.

Specification sheet revised 1/2008

hansgrohe



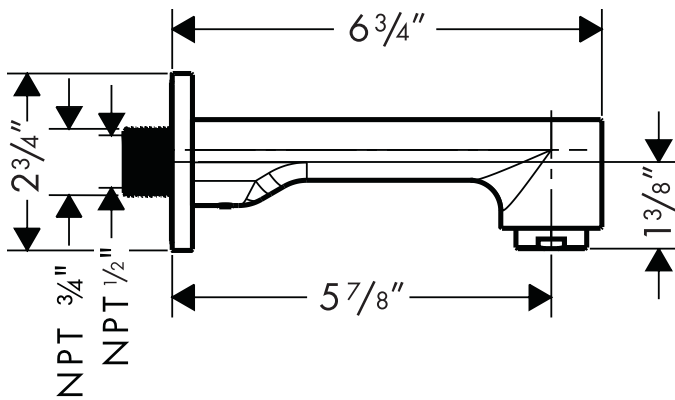
Product Features

- Solid brass
- Dual-threaded mounting piece: 1/2" NPT female, 3/4" NPT male

Code Compliance

This unit meets or exceeds the following:

- ASME A112.18.1
- CSA B125.1
- Listed by IAPMO



Available Finishes

Chrome	14413001
Brushed Nickel	14413821
Polished Nickel	14413831

Installation Notes

- Requires either 3/4" NPT female or 1/2" NPT male fitting, recessed 3/8" behind surface of finished wall

The measurements shown are for reference only.

Products and specifications shown are subject to change without notice.

Specification sheet revised 5/2009