

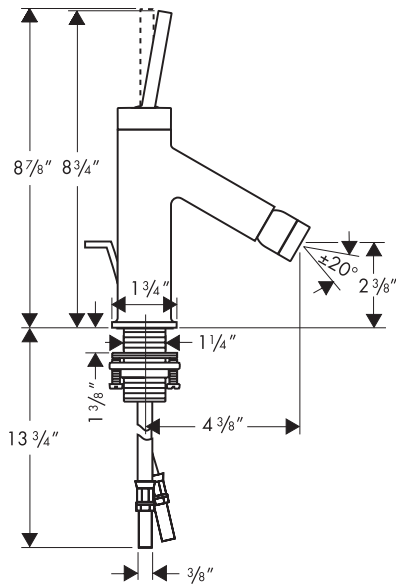
Product Features

- Single-hole mounting
- Single control with ceramic cartridge
- Swivel aerator
- Cascade no-clog aerator
- Includes pop-up drain

Code Compliance

This unit meets or exceeds the following:

- ASME A112.18.1
- CSA B125.1
- Listed by IAPMO
- ADA compliant



Available Finishes

Chrome

10211001

Brushed Nickel

10211821

Installation Notes

Not suitable for use on vertical spray bidets

3/8" supply hoses – requires 3/8" compression fittings

The measurements shown are for reference only.

Products and specifications shown are subject to change without notice.

Specification sheet revised 10/2007