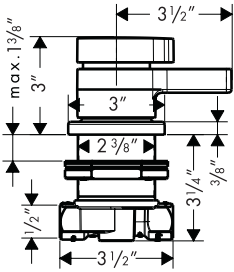


Interaktiv
ThermoBalance Tub Valve

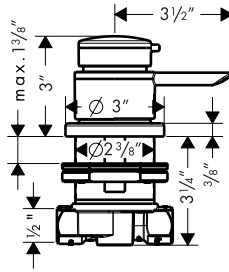
hansgrohe

Interaktiv ThermoBalance Tub Valve

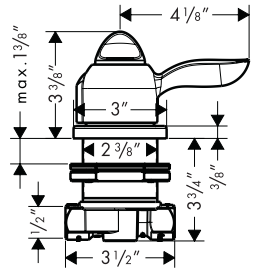
06401XXX	Metris
06405000	Focus
06450XXX	Solaris
06451XXX	Stratos
06452XXX	Metro
06453XXX	Talis
06454XXX	Retroaktiv Cross
06455XXX	Retroaktiv Scroll
06456XXX	Retroaktiv Lever



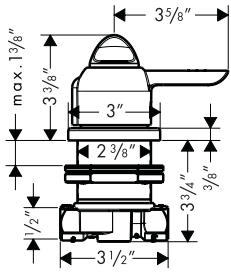
06401XXX



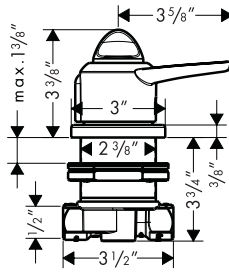
06405XXX



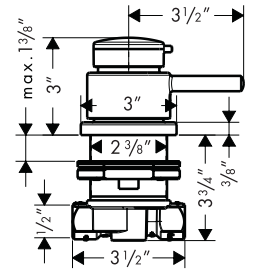
06450XXX



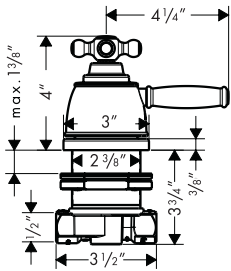
06451XXX



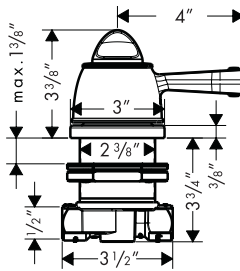
06452XXX



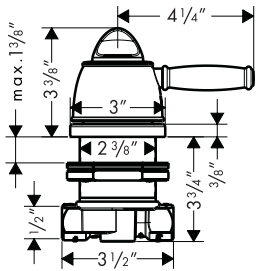
06453XXX



06454XXX



06455XXX



06456XXX

Technical Specification

Recommended Pressure	45 - 72 psi
Maximum Incoming Hot Water Temp.	165° F*
Recommended Incoming Hot Water Temp.	120 - 140° F*
Nominal Capacity @ 45 PSI	8 gpm
Safety Stop	100° F
Maximum Output Temperature	110° F**
1/2" female NPT inlets	
Maximum mounting surface thickness	1 3/8"
Hole size in mounting surface	2 3/8"

*Know and follow all applicable local plumbing codes when setting the temperature on the water heater.

**The high temperature limit stop may be reset to comply with local plumbing codes. See page 7.

Installation Considerations

The mounting surface must be installed and made watertight prior to installation.

For best service of the ThermoBalance valve, the pressure of the incoming hot water and the pressure of the incoming cold water must be equal.

This valve is for a two-function installation. Both outlet ports must be plumbed. If only one function is to be used, loop the two outlets together. **Do not plug either outlet port.**

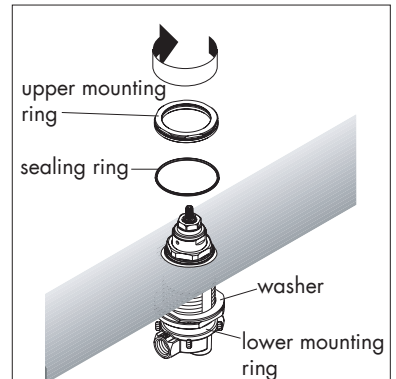
Install the ThermoBalance Valve

Remove the upper mounting ring.

Screw the lower mounting ring and washer to their lowest position.

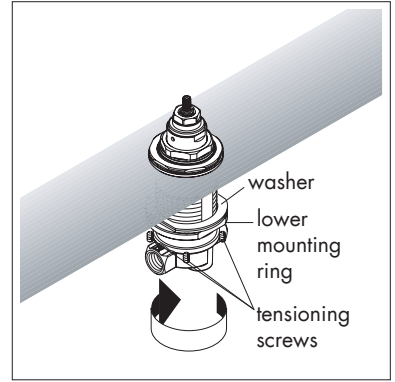
From below the mounting surface, insert the ThermoBalance valve through the hole.

Thread the upper mounting ring on as far as it will go without forcing it. Place the rough on the mounting surface.

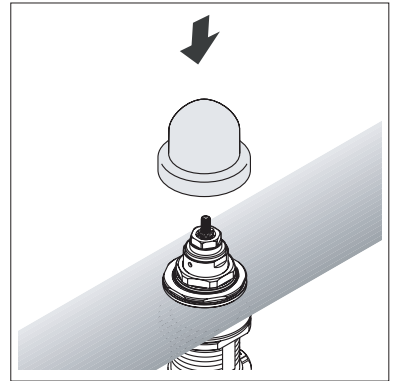


Tighten the lower mounting ring and washer against the bottom of the mounting surface.

Tighten the tensioning screws.

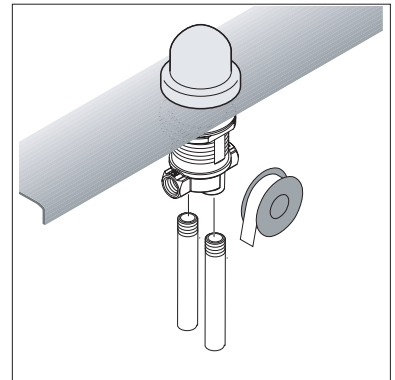
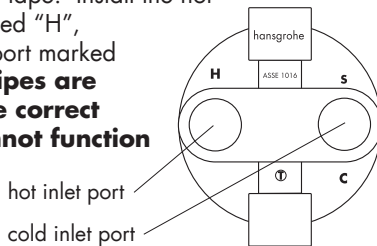


Install the plaster shield to protect the valve during construction.



Install the hot and cold water supply lines:

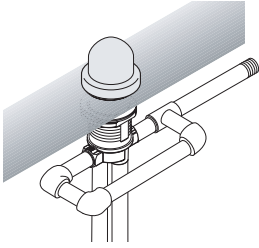
Seal the threads on the hot and cold supply pipes with Teflon thread tape. Install the hot supply on the port marked "H", the cold supply on the port marked "C". **If the supply pipes are not connected to the correct ports, the valve cannot function properly.**



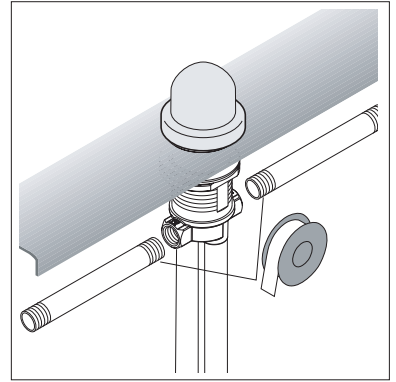
Install the outlet lines:

Both outlet ports must be plumbed!

Seal the threads on the outlet lines with Teflon thread tape. Install the lines on the outlet ports.

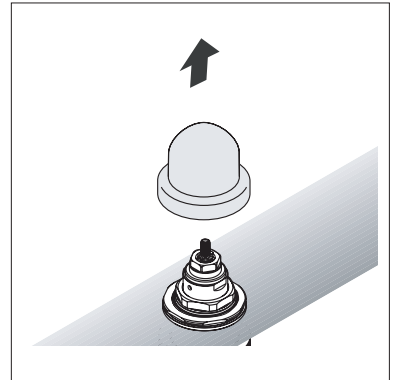


If only one outlet is to be used, **do not plug the second outlet port.** Tie the two outlet lines together.



Install the valve trim:

Remove the plaster shield.

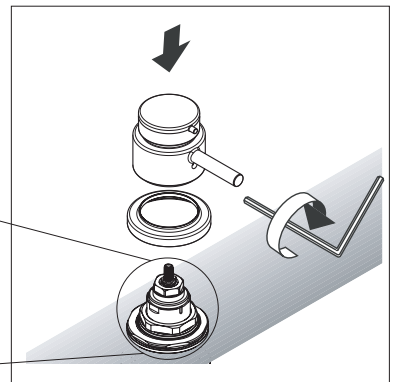
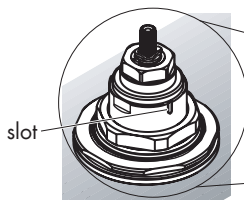


Push the escutcheon over the valve.

Install the handle. Tighten the set screw with the included 3 mm Allen wrench. The set screw must engage the slot on the cartridge.

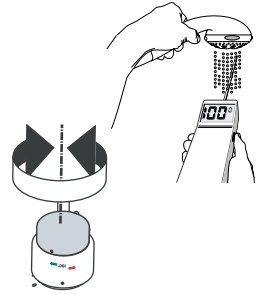
Justify the handle. (See page 6.)

Reset the high temperature limit stop, if required.

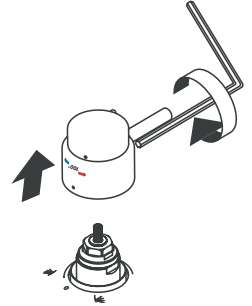


Justify the ThermoBalance Handle

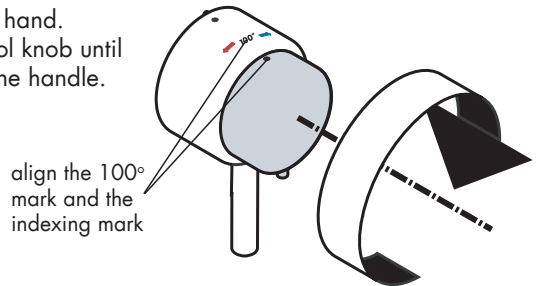
Turn the water on to the tub spout or handshower. Place a thermometer in the water stream. Turn the temperature control knob until the output water temperature is 100°F. Turn the water off.



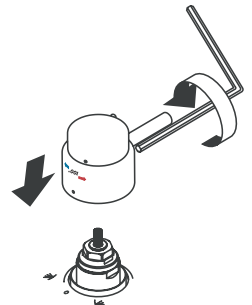
Using the 3 mm Allen wrench to loosen the handle set screw. Remove the handle from the valve.



With the handle removed, hold the lever in one hand. With the other hand, turn the temperature control knob until the 100° mark is next to the indexing mark on the handle.



Reinstall the handle on the valve. Tighten the set screw with the 3 mm Allen wrench.



Reset the High Temperature Limit Stop (optional)

Turn the water on to the tub spout or handshower. Use a 3 mm Allen wrench to loosen the handle set screw. Remove the handle from the valve.

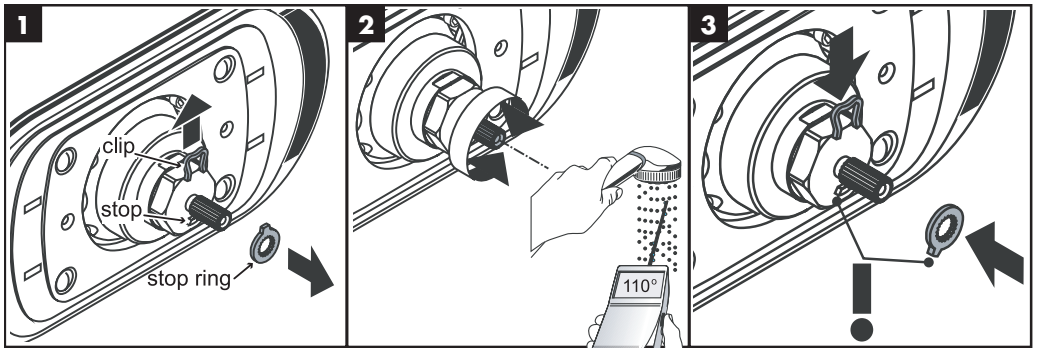
Carefully remove the retainer clip and the limit stop ring (1).

Manually turn the temperature control stem until the water is the desired high temperature, usually 110°F* (2). Turning the stem clockwise will make the water cooler, turning it counter-clockwise will make the water warmer.

Reinstall the limit stop ring so that it is against the limit stop – you should not be able to turn the stem further counter-clockwise. Reinstall the retainer clip (3).

Reinstall the handle. Tighten the set screw. Justify the handle (see page 6).

*Know and follow all applicable local plumbing codes when setting the high temperature limit stop.



User Instructions

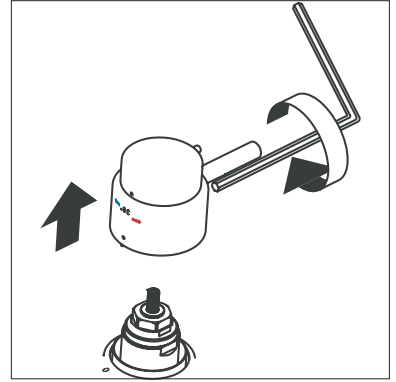
From the off position, turn the diverter lever clockwise or counter-clockwise to obtain water from either of the two functions.

Turn the temperature control knob clockwise to make the water cooler, counter-clockwise to make the water warmer. When turning the knob counter-clockwise, it will stop when the output water is 100°. If the bather wants water hotter than 100°, push downward on the temperature control knob and continue turning it counter-clockwise.

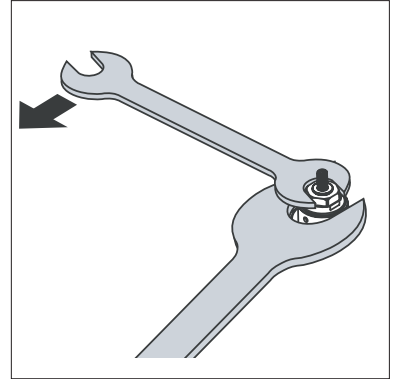
Maintenance -- Clean the Filter Screens

Turn the water off at the main.

Use the 3 mm Allen wrench to loosen the handle set screw. Remove the handle.

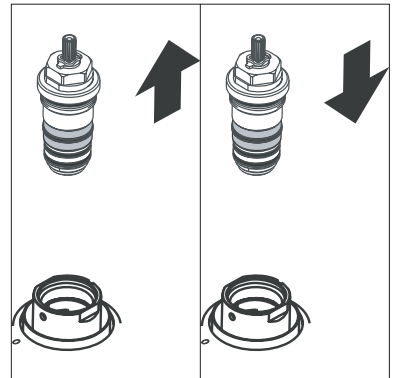


Use a 36 mm wrench to hold the valve body securely at the wrench flats. Use a 24 mm wrench or 24 mm deep socket wrench to unscrew the thermostat cartridge from the thermoelement.

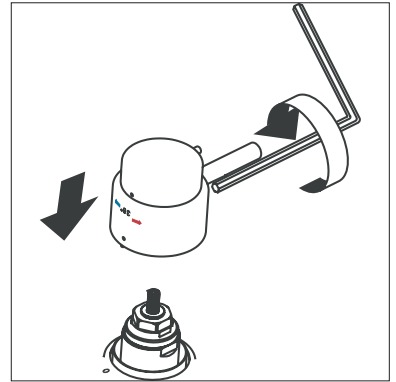


Clean any debris from the filter screens with clear water. A soft brush may be used, if desired. Do not attempt to remove the filter screens from the thermostat cartridge.

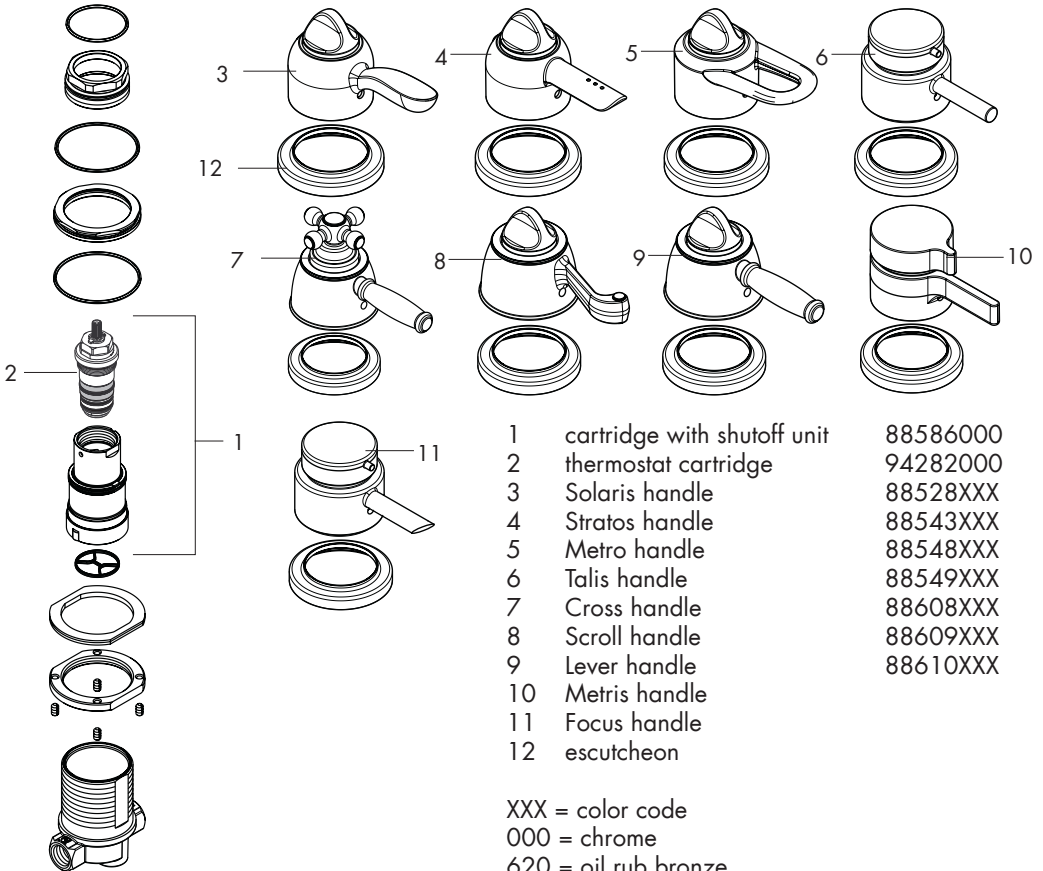
Reinstall the thermostat cartridge. Be careful not to overtighten it or the ceramic plates inside the thermoelement may be damaged.



Turn on the water. Justify and reinstall the handle.



Replacement Parts



- | | | |
|----|-----------------------------|----------|
| 1 | cartridge with shutoff unit | 88586000 |
| 2 | thermostat cartridge | 94282000 |
| 3 | Solaris handle | 88528XXX |
| 4 | Stratos handle | 88543XXX |
| 5 | Metro handle | 88548XXX |
| 6 | Talis handle | 88549XXX |
| 7 | Cross handle | 88608XXX |
| 8 | Scroll handle | 88609XXX |
| 9 | Lever handle | 88610XXX |
| 10 | Metris handle | |
| 11 | Focus handle | |
| 12 | escutcheon | |

XXX = color code
 000 = chrome
 620 = oil rub bronze
 820 = brushed nickel
 830 = polished nickel

Cleaning Recommendation for Hansgrohe Products

Modern faucetry and shower products utilize a combination of materials to comply with the needs of the market with regard to design and functionality.

To avoid damage, it is necessary to use some caution when cleaning. Damage caused by improper treatment is not covered under the Hansgrohe warranty.

Cleaning Materials for Faucets and Showers

- To remove lime scale, use only products made specifically for that purpose. Always follow the manufacturer's instructions when using.
- Do not use cleaners that contain hydrochloric, formic, acetic, or phosphoric acids, as these will cause considerable damage to finishes and to plastic components.
- Never mix cleaning materials.
- Never use cleaners containing abrasives. Do not use abrasive cleaning cloths, pads, or sponges.

Cleaning Procedures

- Clean your faucets and shower products as and when required. Regular cleaning will prevent scale buildup and water spotting.
- Follow the label instructions. Do not allow any cleaner to remain on the product for longer than necessary.
- When using spray cleaners, spray first onto a sponge or cloth – do not spray directly onto the product.
- After cleaning, rinse thoroughly with clear water to remove any cleaner residue.

Important

- Soap and shampoo residue can also cause damage to the product. Rinse well with clean water after use.
- If the surface is already damaged, harsh cleaning materials will cause further damage.

Limited Lifetime Consumer Warranty

This product has been manufactured and tested to the highest quality standards by Hansgrohe, Inc. ("Hansgrohe"). This warranty is limited to Hansgrohe products which are purchased by a consumer in the United States after March 1, 1996, and installed in either the United States or Canada.

WHO IS COVERED BY THE WARRANTY

This warranty extends to the original consumer purchaser only. This warranty is non-transferable.

WHAT IS COVERED BY THE WARRANTY

This warranty covers only your Hansgrohe manufactured product. Hansgrohe warrants this product against defects in material or workmanship as follows: Hansgrohe will repair at no charge for parts only or, at its option, replace any product or part of the product that proves defective because of improper workmanship and/or material, under normal installation, use, service and maintenance. If Hansgrohe is unable to provide a replacement and repair is not practical or cannot be timely made, Hansgrohe may elect to refund the purchase price in exchange for the return of the product.

LENGTH OF WARRANTY

Replacement or repaired parts of products will be covered for the term of this warranty as stated in the following two sentences. If you are a consumer who purchased the product for use primarily for personal, family, or household purposes, this warranty extends for as long as you own the product and the home in which the product is originally installed. If you purchased the product for use primarily for any other purpose, including, without limitation, a commercial purpose, this warranty extends only (i) for 1 year, with respect to Hansgrohe and Commercial products, and (ii) for 5 years, with respect to AXOR products.

THIS WARRANTY DOES NOT COVER, AND HANSGROHE WILL NOT PAY FOR:

- A. Conditions, malfunctions or damage not resulting from defects in material or workmanship.
- B. Conditions, malfunctions or damage resulting from (1) normal wear and tear, improper installation, improper maintenance, misuse, abuse, negligence, accident or alteration, or (2) the use of abrasive or caustic cleaning agents or "no-rinse" cleaning products, or the use of the product in any manner contrary to the product instructions. (3) Conditions in the home such as excessive water pressure or corrosion.
- C. Labor or other expenses for the disconnection, deinstallation, or return of the product for warranty service, or for installation or reinstallation of the product (including but not limited to proper packaging and shipping costs), or for installation or reinstallation of the product.
- D. Accessories, connected materials and products, or related products not manufactured by Hansgrohe.

TO OBTAIN WARRANTY PARTS OR INFORMATION

Contact your Hansgrohe retailer, or contact Technical Service at:

Hansgrohe Inc.
1492 Bluegrass Lakes Parkway
Alpharetta GA 30004
Toll-free (800) 334-0455.

In requesting warranty service, you will need to provide

- 1. The sales receipt or other evidence of the date and place of purchase.
- 2. A description of the problem.
- 3. Delivery of the product or the defective part, postage prepaid and carefully packed and insured, to Hansgrohe Inc. 1492 Bluegrass Lakes Parkway, Alpharetta, Georgia 30004, Attention: Technical Service, if required by Hansgrohe.

When warranty service is completed, any repaired or replacement product or part will be returned to you postage prepaid.

EXCLUSIONS AND LIMITATIONS

REPAIR OR REPLACEMENT (OR, IN LIMITED CIRCUMSTANCES, REFUND OF THE PURCHASE PRICE) AS PROVIDED UNDER THIS WARRANTY IS THE EXCLUSIVE REMEDY OF THE PURCHASER. HANSGROHE NEITHER ASSUMES NOR AUTHORIZES ANY PERSON TO CREATE FOR IT ANY OBLIGATION OR LIABILITY IN CONNECTION WITH THIS PRODUCT.

HANSGROHE SHALL NOT BE LIABLE TO PURCHASER OR ANY PERSON FOR ANY INCIDENTAL, SPECIAL, OR CONSEQUENTIAL DAMAGES, ARISING OUT OF BREACH OF THIS WARRANTY OR ANY IMPLIED WARRANTY (INCLUDING MERCHANTABILITY).

Some States do not allow the exclusion or limitation of incidental or consequential damages, so the above limitation or exclusion may not apply to you. This warranty gives you specific legal rights, and you may have other rights which vary from State to State. You may be required by law to give us a reasonable opportunity to correct or cure any failure to comply before you can bring any action in court against us under the Magnuson-Moss Warranty Act.

PRODUCT INSTRUCTIONS AND QUESTIONS

Upon purchase or prior to installation, please carefully inspect your Hansgrohe product for any damage or visible defect. Prior to installing, always carefully study the enclosed instructions on the proper installation and the care and maintenance of the product. If you have questions at any time about the use, installation, or performance of your Hansgrohe product, or this warranty, please call or write to us or call us toll-free at 800 334 0455.

hansgrohe

Hansgrohe, Inc. • 1490 Bluegrass Lakes Parkway • Alpharetta, GA 30004
Tel. 770 360-9880 • Fax 770 360 9887

www.hansgrohe-USA.com