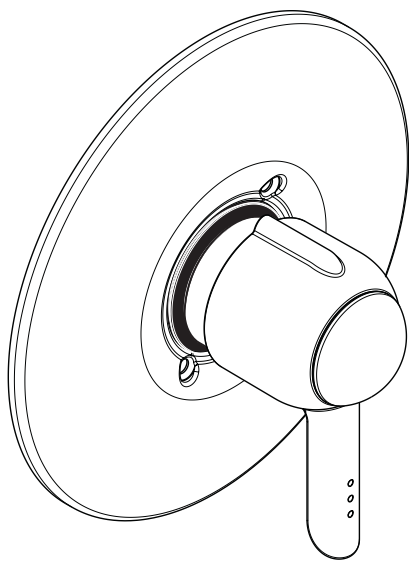


Installation Instructions / Warranty



Trim for Pressure Balance Valve

hansgrohe

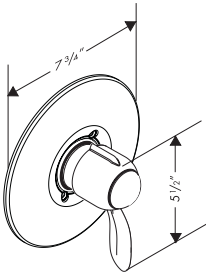
Trim for Pressure Balance Valve

These instructions cover the following trim kits:

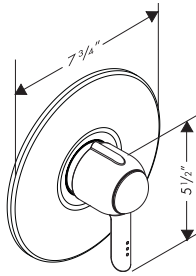
Solaris	06352XXX
Stratos	06354XXX
Metro	06355XXX
Talis	06356XXX
Retroaktiv Scroll	06358XXX
Retroaktiv Lever	06357XXX
Metris	06403XXX
Focus	06407000

This trim kit is for use with Hansgrohe rough valves 06348000 and 06349000 (not included). It can also be used with the Delta 1300 pressure balancing valve (not included).

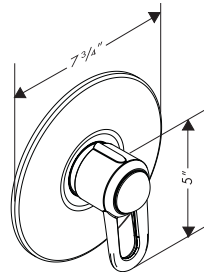
This trim kit is not compatible with Hansgrohe Equilibrium pressure balance valve 13408181.



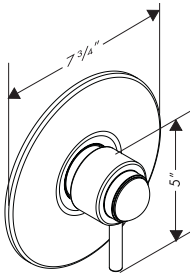
06352XXX



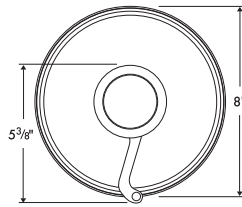
06354XXX



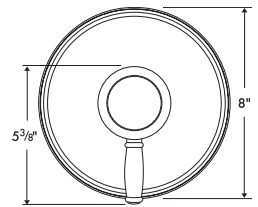
06355XXX



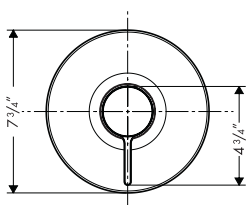
06356XXX



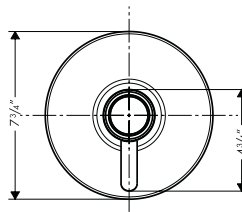
06358XXX



06357XXX



06403XXX



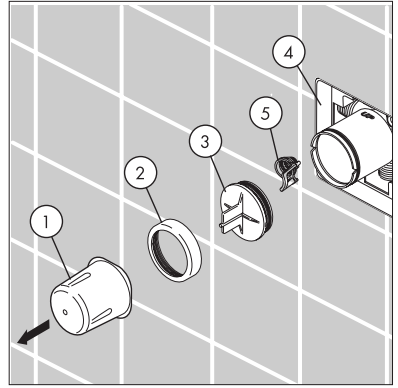
06407XXX

Installation

Turn the water off at the main before beginning.

Remove the cover (1), bonnet nut (2), and test cap (3), from the valve body. If the screen (5) is still present, remove it as well.

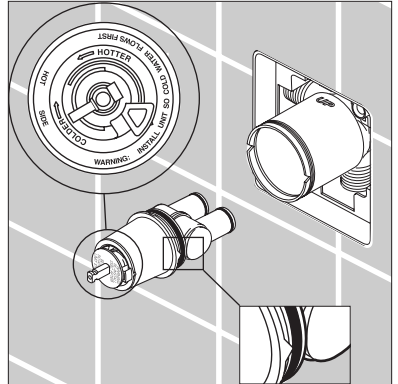
If the valve is installed in a fiberglass or acrylic enclosure, the plaster shield (4) must remain in place. In all other installations, the plaster shield may be removed, if desired.



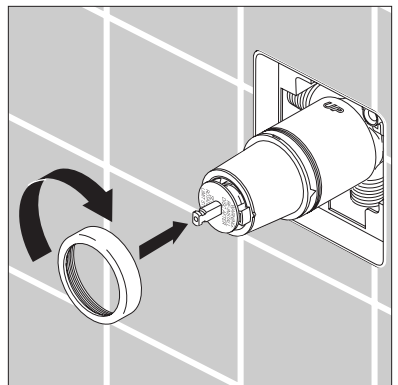
Normal installation: Insert the cartridge in the valve with the “hot side” marking on the left.

Reversed installation (cold on left/hot on right): Insert the cartridge so that the “hot side” markings are on the right.

All installations: Make sure that the cartridge engages the holes inside the valve. The keys on the sides of the cartridge should engage the slots on the sides of the valve.

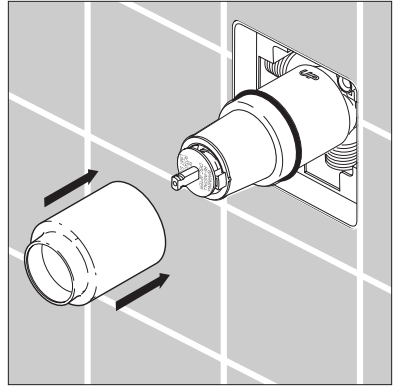


Install the bonnet nut. Tighten it hand tight.



Install the o-ring on the cartridge. It should rest just behind the bonnet nut.

Push the sleeve over the cartridge, body, and o-ring.



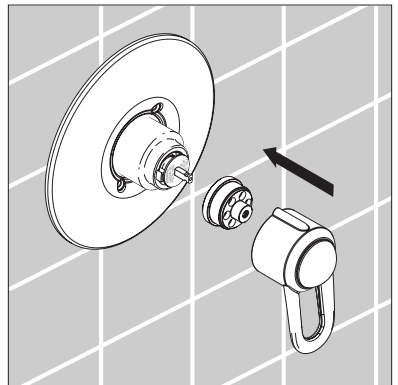
Remove the backing from the sealing tape. Press the sealing tape around the reverse of the escutcheon.



Install the escutcheon. Fasten it to the bracket with the two screws. Do not overtighten the screws.

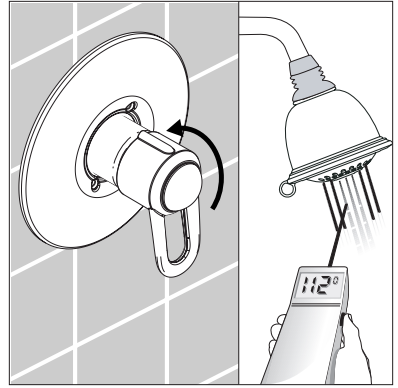
Test the valve: Temporarily install the handle adapter and handle. Turn the handle clockwise until it stops. Turn the water on at the main. Turn the handle counter-clockwise. The cold water should come on first, and become warmer the farther the handle is turned.

CAUTION: If the hot water comes on first, reverse the cartridge. See the cartridge removal instructions on page 6.



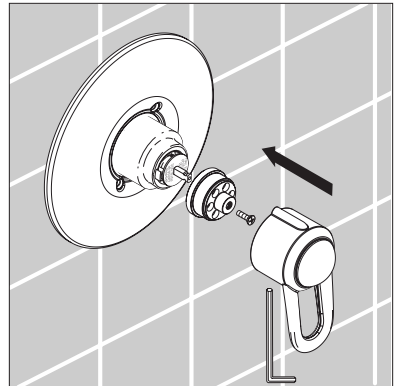
Turn the handle counter-clockwise until it stops. Measure the temperature of the output water with a thermometer.

If the water is hotter than the maximum temperature permitted by local code (110° - 112°F in many areas), reset the rotational limit stop (see below).



Install the handle adapter and screw.

Install the handle. Tighten the handle screw with a 3mm Allen wrench.



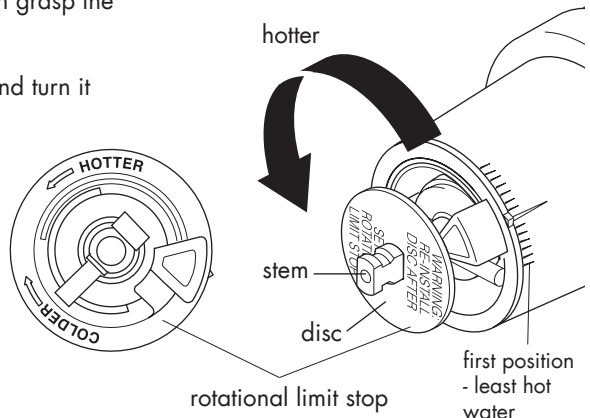
Set the Rotational Limit Stop

THE ROTATIONAL LIMIT STOP MAY NEED TO BE ADJUSTED SEASONALLY, OR IF CHANGES ARE MADE TO THE WATER HEATER.

Remove the handle. Pull the disc away from the cartridge enough so that you can grasp the rotational limit stop.

Pull out on the rotational limit stop and turn it clockwise to make the water cooler, counter-clockwise to make it warmer. The temperature change per tooth can be 4°F - 16°F, depending on the water conditions. Test. Repeat if necessary.

Push disc back into place, until fully seated. Failure to do so could result in scald injury.



Cartridge Removal

If the cartridge must be removed for any reason, follow these steps.

Caution: Do not attempt to pry the cartridge out with a screwdriver!

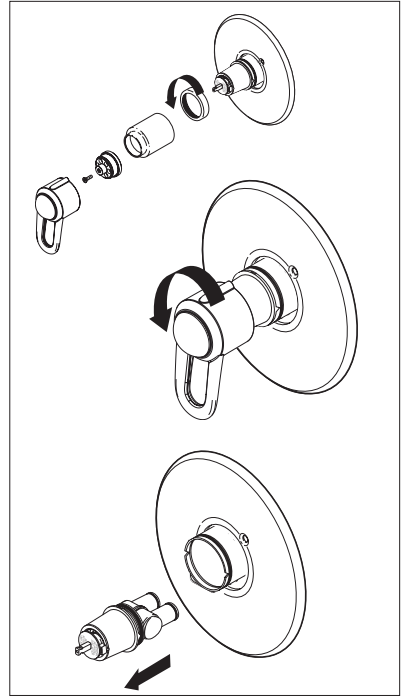
Turn the water off at the main.

Remove the handle, handle adapter, and sleeve.

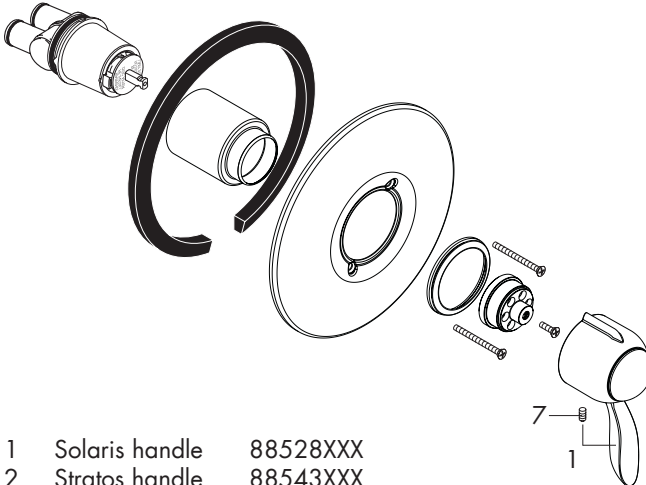
Remove the bonnet nut.

Position the handle adapter and handle on the stem. Turn counter-clockwise approximately 1/4 turn after the stop is contacted.

Lift the cartridge from the valve body.

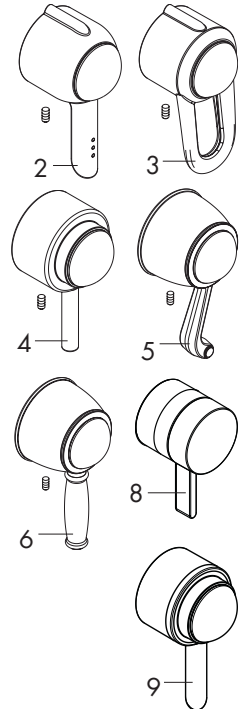


Replacement Parts



- | | | |
|---|----------------|----------|
| 1 | Solaris handle | 88528XXX |
| 2 | Stratos handle | 88543XXX |
| 3 | Metro handle | 88544XXX |
| 4 | Talis handle | 88549XXX |
| 5 | Scroll handle | 88606XXX |
| 6 | Lever handle | 88607XXX |
| 7 | handle screw | 88654XXX |
| 8 | Metris handle | |
| 9 | Focus handle | |
| 6 | | |

XXX = finish
 000 = chrome
 620 = oil rub bronze
 820 = brushed nickel
 830 = polished nickel
 930 = polished brass



Cleaning Recommendation for Hansgrohe Products

Modern sanitary faucetry and shower fixtures consist of very different materials to comply with the needs of the market with regard to design and functionality.

To avoid damage and returns, it is necessary to consider certain points when cleaning:

Cleaning materials for faucets and shower products:

Acids are necessary ingredients of cleaning materials for removing lime. However, please pay attention to the following points when cleaning faucets and shower products:

- Use only cleaning materials intended for the application.
- Never use cleaning materials which contain hydrochloric, formic, or phosphoric, or acetic acid, as these can cause considerable damage.
- Do not mix one cleaning material with another.
- Do not use abrasives, such as cleaning powders, sponge pads, or microfiber cloths.

Cleaning Instructions for Faucets and Shower Products:

Please follow the cleaning material manufacturer's instructions. In addition, please note the following:

- Clean your faucets and shower products as and when required.
- Follow the label instructions. Do not allow any cleaner to remain on the product for longer than necessary.
- Regular cleaning will prevent scale buildup and water spotting.
- When using spray cleaners, spray first onto a sponge or cloth. Do not spray directly onto the faucet or shower product as drops could enter openings or gaps and cause damage.
- After cleaning, rinse thoroughly with clear water to remove any cleaner residue.

Important

Residues of liquid soaps, shampoos, and shower foams can also cause damage, so rinse with clean water after using.

Please note:

- If the surface is already damaged, the effect of cleaning materials will cause further damage.
- Components with damaged surfaces must be replaced, otherwise, this could cause injury.
- Damage caused by improper treatment will not be covered by our warranty.

Limited Lifetime Consumer Warranty

This product has been manufactured and tested to the highest quality standards by Hansgrohe, Inc. ("Hansgrohe"). This warranty is limited to Hansgrohe products which are purchased by a consumer in the United States after March 1, 1996, and installed in either the United States or Canada.

WHO IS COVERED BY THE WARRANTY

This warranty extends to the original consumer purchaser only. This warranty is non-transferable.

WHAT IS COVERED BY THE WARRANTY

This warranty covers only your Hansgrohe manufactured product. Hansgrohe warrants this product against defects in material or workmanship as follows: Hansgrohe will repair at no charge for parts only or, at its option, replace any product or part of the product that proves defective because of improper workmanship and/or material, under normal installation, use, service and maintenance. If Hansgrohe is unable to provide a replacement and repair is not practical or cannot be timely made, Hansgrohe may elect to refund the purchase price in exchange for the return of the product.

LENGTH OF WARRANTY

Replacement or repaired parts of products will be covered for the term of this warranty as stated in the following two sentences. If you are a consumer who purchased the product for use primarily for personal, family, or household purposes, this warranty extends for as long as you own the product and the home in which the product is originally installed. If you purchased the product for use primarily for any other purpose, including, without limitation, a commercial purpose, this warranty extends only (i) for 1 year, with respect to Hansgrohe and Commercial products, and (ii) for 5 years, with respect to AXOR products.

THIS WARRANTY DOES NOT COVER, AND HANSGROHE WILL NOT PAY FOR:

- A. Conditions, malfunctions or damage not resulting from defects in material or workmanship.
- B. Conditions, malfunctions or damage resulting from (1) normal wear and tear, improper installation, improper maintenance, misuse, abuse, negligence, accident or alteration, or (2) the use of abrasive or caustic cleaning agents or “no-rinse” cleaning products, or the use of the product in any manner contrary to the product instructions. (3) Conditions in the home such as excessive water pressure or corrosion.
- C. Labor or other expenses for the disconnection, deinstallation, or return of the product for warranty service, or for installation or reinstallation of the product (including but not limited to proper packaging and shipping costs), or for installation or reinstallation of the product.
- D. Accessories, connected materials and products, or related products not manufactured by Hansgrohe.

TO OBTAIN WARRANTY PARTS OR INFORMATION

Contact your Hansgrohe retailer, or contact Technical Service at:

Hansgrohe Inc.
1492 Bluegrass Lakes Parkway
Alpharetta GA 30004
Toll-free (800) 334-0455.

In requesting warranty service, you will need to provide

- 1. The sales receipt or other evidence of the date and place of purchase.
- 2. A description of the problem.
- 3. Delivery of the product or the defective part, postage prepaid and carefully packed and insured, to Hansgrohe Inc. 1492 Bluegrass Lakes Parkway, Alpharetta, Georgia 30004, Attention: Technical Service, if required by Hansgrohe.

When warranty service is completed, any repaired or replacement product or part will be returned to you postage prepaid.

EXCLUSIONS AND LIMITATIONS

REPAIR OR REPLACEMENT (OR, IN LIMITED CIRCUMSTANCES, REFUND OF THE PURCHASE PRICE) AS PROVIDED UNDER THIS WARRANTY IS THE EXCLUSIVE REMEDY OF THE PURCHASER. HANSGROHE NEITHER ASSUMES NOR AUTHORIZES ANY PERSON TO CREATE FOR IT ANY OBLIGATION OR LIABILITY IN CONNECTION WITH THIS PRODUCT.

HANSGROHE SHALL NOT BE LIABLE TO PURCHASER OR ANY PERSON FOR ANY INCIDENTAL, SPECIAL, OR CONSEQUENTIAL DAMAGES, ARISING OUT OF BREACH OF THIS WARRANTY OR ANY IMPLIED WARRANTY (INCLUDING MERCHANTABILITY).

Some States do not allow the exclusion or limitation of incidental or consequential damages, so the above limitation or exclusion may not apply to you. This warranty gives you specific legal rights, and you may have other rights which vary from State to State. You may be required by law to give us a reasonable opportunity to correct or cure any failure to comply before you can bring any action in court against us under the Magnuson-Moss Warranty Act.

PRODUCT INSTRUCTIONS AND QUESTIONS

Upon purchase or prior to installation, please carefully inspect your Hansgrohe product for any damage or visible defect. Prior to installing, always carefully study the enclosed instructions on the proper installation and the care and maintenance of the product. If you have questions at any time about the use, installation, or performance of your Hansgrohe product, or this warranty, please call or write to us or call us toll-free at 800 334 0455.



Hansgrohe, Inc. • 1490 Bluegrass Lakes Parkway • Alpharetta, GA 30004
Tel. 770 360-9880 • Fax 770 360 9887

www.hansgrohe-USA.com