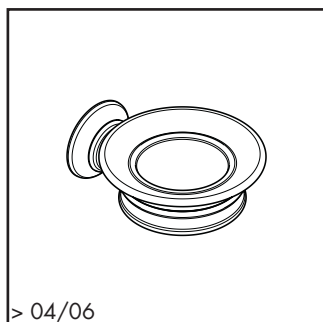


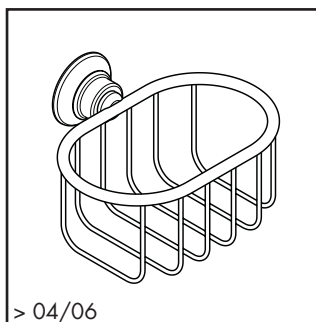
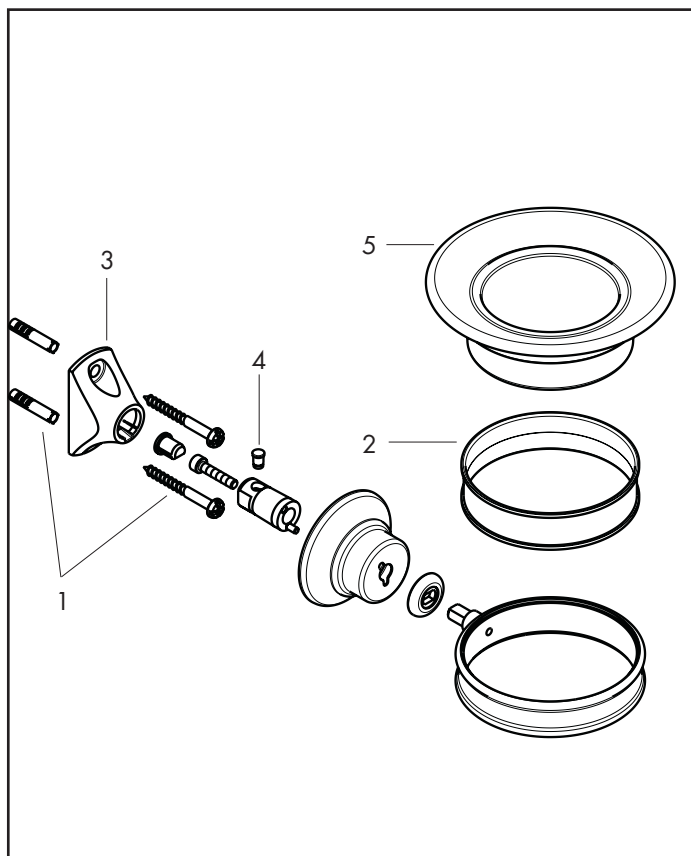
Axor Montreux

Soap dish / Porte-savon / Jabonera



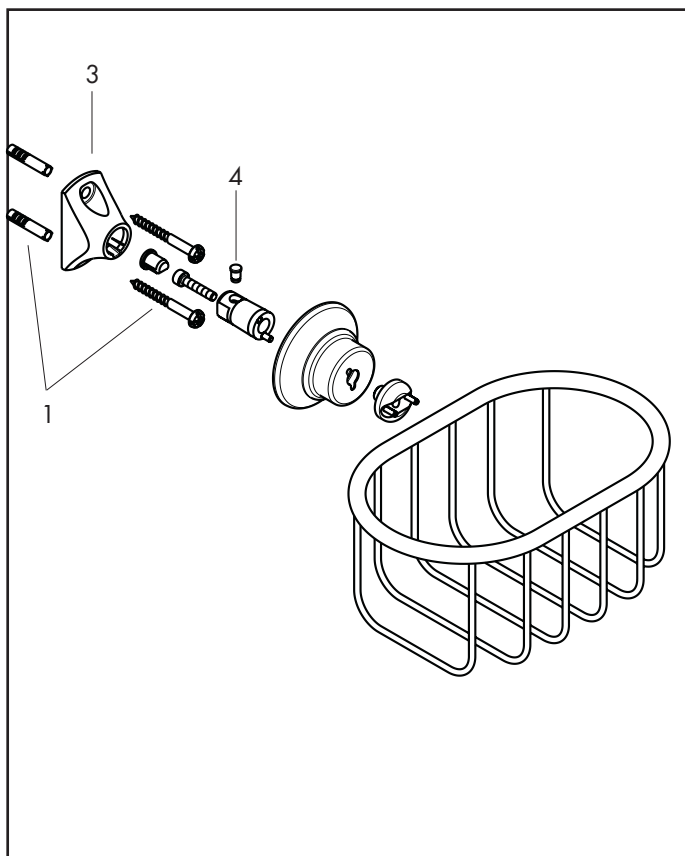
> 04/06

42033XX0



> 04/06

42065XX0



Pos.	Description	Description	Denominación	Nr./Nr./Nº
1	mounting set	set de fixation	Set de fijación	40915000
2	plastic ring	anneau plastique	Anillo plástico	98726000
3	support element	support	Soporte	96341000
4	pin	goupille	Varilla	97546000
5	soap dish	porte-savon	Jabonera	42093000