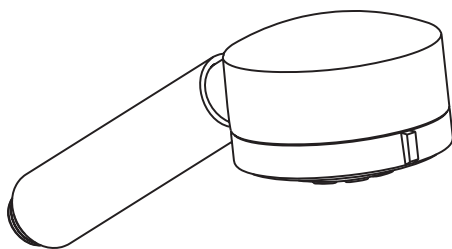
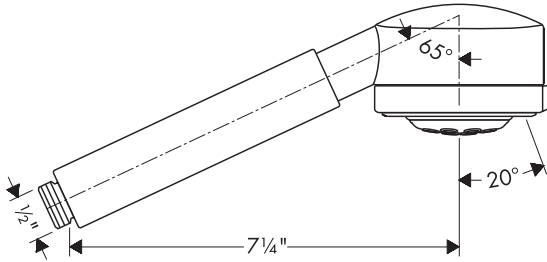


Installation Instructions / Warranty



Uno
38850XX1

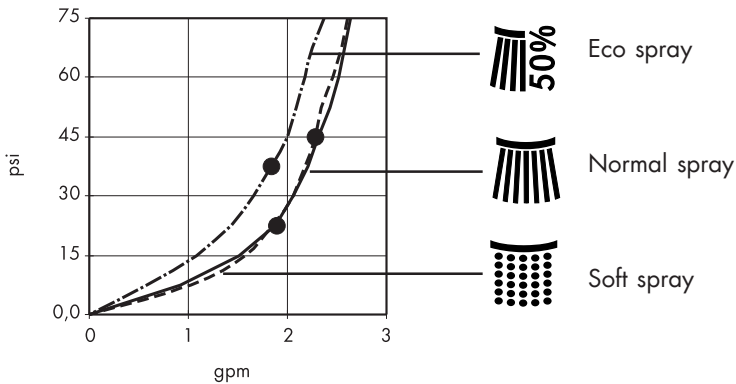
AXOR[®]
hansgrohe



Technical Data

Maximum incoming water pressure	90 PSI
Recommended incoming water pressure	20-60 PSI
Maximum incoming hot water temperature	120° F*
Flow Rate	2.5 GPM

*To protect bathers from scalding, many municipalities require that the water heater be set below 120° F. There may also be local codes concerning the maximum output temperature of the shower valve. Please know and follow all applicable local codes.

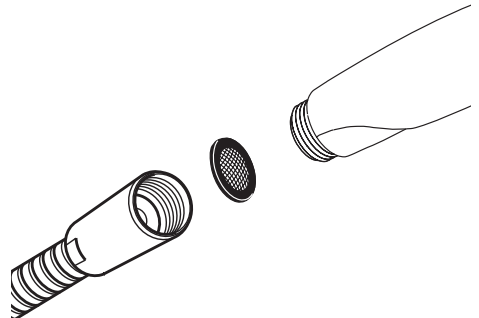


From ● the function is guaranteed.

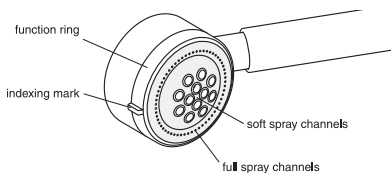
Installation Instructions

Install the screen washer between the handshower and the hose. This will protect the handshower from debris in the water line.

Depending on local water conditions, you may need to occasionally remove and clean the screen washer. UNDER NO CIRCUMSTANCES SHOULD THE SCREEN WASHER BE PERMANENTLY REMOVED.



Using the Uno Handshower



Change the spray modes by turning the function ring until the indexing mark is under the name of the desired function. The spray face turns with firm resistance.

The Uno handshower has two spray modes - regular spray, and soft spray. The Eco setting reduces the flow of water up to 50% in the regular spray mode.

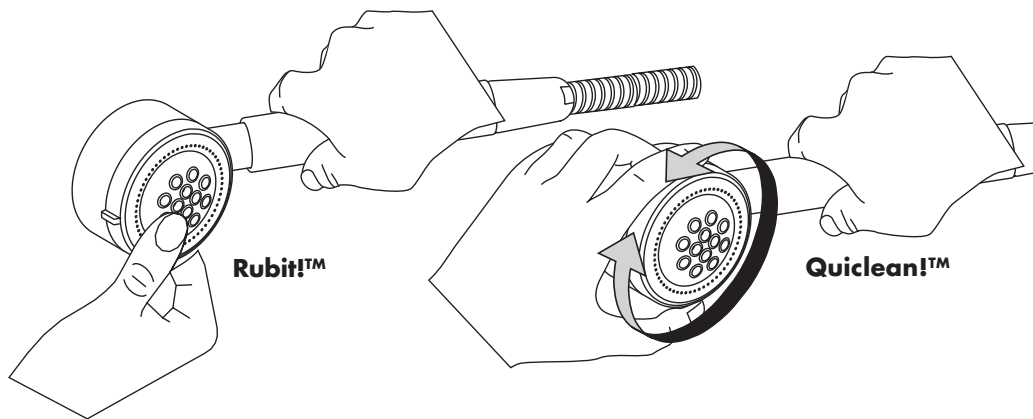
Care of your Uno Handshower

The Uno handshower has two self-cleaning functions. The regular spray channels use the Quiclean!TM system. When the spray mode is changed, pins clear scale deposits from the regular spray channels.

The soft spray channels use the Rubit!TM self-cleaning system. The channels are lined with a material that resists scale deposits. If deposits are noticed, they can be easily dislodged by turning the water on lightly, and rubbing over the channels with a finger or a sponge.

If scale deposits are noticed on the gray spray face, they can be removed with a commercial limescale remover such as Lime-Away!TM or CLR!TM. Do not use limescale removers on the plated surfaces.

Clean the handshower with a mild soap and water solution and a soft cloth. Rinse well with clear water, and polish dry with a soft cloth. Do not use cleaners containing acids, abrasives, or solvents. Damage caused by improper cleaning is not covered under the Hansgrohe warranty.



Limited Lifetime Consumer Warranty

This product has been manufactured and tested to the highest quality standards by Hansgrohe, Inc. ("Hansgrohe"). This warranty is limited to Hansgrohe products which are purchased by a consumer in the United States after March 1, 1996, and installed in either the United States or Canada.

WHO IS COVERED BY THE WARRANTY

This warranty extends to the original consumer purchaser only.

WHAT IS COVERED BY THE WARRANTY

This warranty covers only your Hansgrohe manufactured product. Hansgrohe warrants this product against defects in material or workmanship as follows: Hansgrohe will repair at no charge for parts only or, at its option, replace any product or part of the product which proves defective because of improper workmanship and/or material, under normal installation, use, service and maintenance. If Hansgrohe is unable to provide a replacement and repair is not practical or cannot be timely made, Hansgrohe may elect to refund the purchase price in exchange for the return of the product.

LENGTH OF WARRANTY

Replacement or repaired parts of products will be covered for the term of this warranty as stated in the following two sentences. If you are a consumer who purchased the product for use primarily for personal, family, or household purposes, this warranty extends for as long as you own the product and the home in which the product is installed. If you purchased the product for use primarily for any other purpose, including, without limitation, a commercial purpose, this warranty extends only (i) for 1 year, with respect to Interaktiv and Retroaktiv products, and (ii) for 5 years, with respect to AXOR, ShowerPower and Pharo products.

THIS WARRANTY DOES NOT COVER, AND HANSGROHE WILL NOT PAY FOR:

- A. Conditions, malfunctions or damage not resulting from defects in material or workmanship.
- B. Conditions, malfunctions or damage resulting from (1) improper installation, improper maintenance, misuse, abuse, negligence, accident or alteration, or (2) the use of abrasive or caustic cleaning agents or "no rinse" cleaning products, or the use of the product in any manner contrary to the product instructions.
- C. Labor or other expenses for the disconnection or return of the product for warranty service, or for installation or reinstallation of the product.
- D. Accessories or related products not manufactured by Hansgrohe.

TO OBTAIN WARRANTY SERVICE

Contact your Hansgrohe retailer, or write to Technical Service at:

Hansgrohe Inc.
1492 Bluegrass Lakes Parkway
Alpharetta GA 30004

Or, call Hansgrohe toll-free at (800) 334-0455.

In requesting warranty service, you will need to provide

1. The sales receipt or other evidence of the date and place of purchase.
2. A description of the problem.
3. Delivery of the product or the defective part, postage prepaid and carefully packed and insured, to Hansgrohe Inc. 1492 Bluegrass Lakes Parkway, Alpharetta, Georgia 30004, Attention: Technical Service, if required by Hansgrohe.

When warranty service is completed, any repaired or replacement product or part will be returned to you postage prepaid.

EXCLUSIONS AND LIMITATIONS

REPAIR OR REPLACEMENT (OR, IN LIMITED CIRCUMSTANCES, REFUND OF THE PURCHASE PRICE) AS PROVIDED UNDER THIS WARRANTY IS THE EXCLUSIVE REMEDY OF THE PURCHASER. HANSGROHE NEITHER ASSUMES NOR AUTHORIZES ANY PERSON TO CREATE FOR IT ANY OBLIGATION OR LIABILITY IN CONNECTION WITH THIS PRODUCT.

HANSGROHE SHALL NOT BE LIABLE TO PURCHASER OR ANY PERSON FOR ANY INCIDENTAL, SPECIAL, OR CONSEQUENTIAL DAMAGES, ARISING OUT OF BREACH OF THIS WARRANTY OR ANY IMPLIED WARRANTY (INCLUDING MERCHANTABILITY).

Some States do not allow the exclusion or limitation of incidental or consequential damages, so the above limitation or exclusion may not apply to you.

This warranty gives you specific legal rights, and you may have other rights which vary from State to State.

You may be required by law to give us a reasonable opportunity to correct or cure any failure to comply before you can bring any action in court against us under the Magnuson-Moss Warranty Act.

PRODUCT INSTRUCTIONS AND QUESTIONS

Upon purchase or prior to installation, please carefully inspect your Hansgrohe product for any damage or visible defect. Prior to installing, always carefully study the enclosed instructions on the proper installation and the care and maintenance of the product. If you have questions at any time about the use, installation, or performance of your Hansgrohe product, or this warranty, please call or write to us at the toll-free number and address printed above.

Hansgrohe Inc.
1490 Bluegrass Lakes Parkway
Alpharetta GA 30004
770 360 9880