

Talis C
Talis C 2-Spray Prep Kitchen Faucet, Pull-Down
 Finishes : **Chrome** Part no. : **04216000**



Description

Features

- Swivel range 150°
- Full and needle spray
- Locking spray diverter (reverts to default spray mode upon valve closing)
- MagFit magnetic sprayhead docking
- Flow: 1.75 GPM
- Ceramic cartridge
- 3/8" compression

Optional accessories

- Talis C Bar Faucet (#04217USA)
- Universal Base Plate for Single-Hole Kitchen Faucets, 10" (#14019USA)

Item details

List Price \$ 567.00

Technology



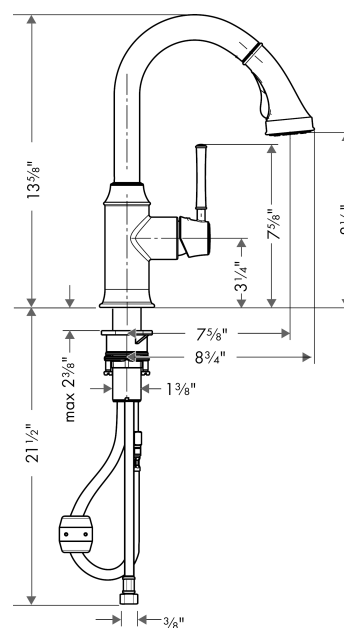
Compliance



Product image



Scale drawing

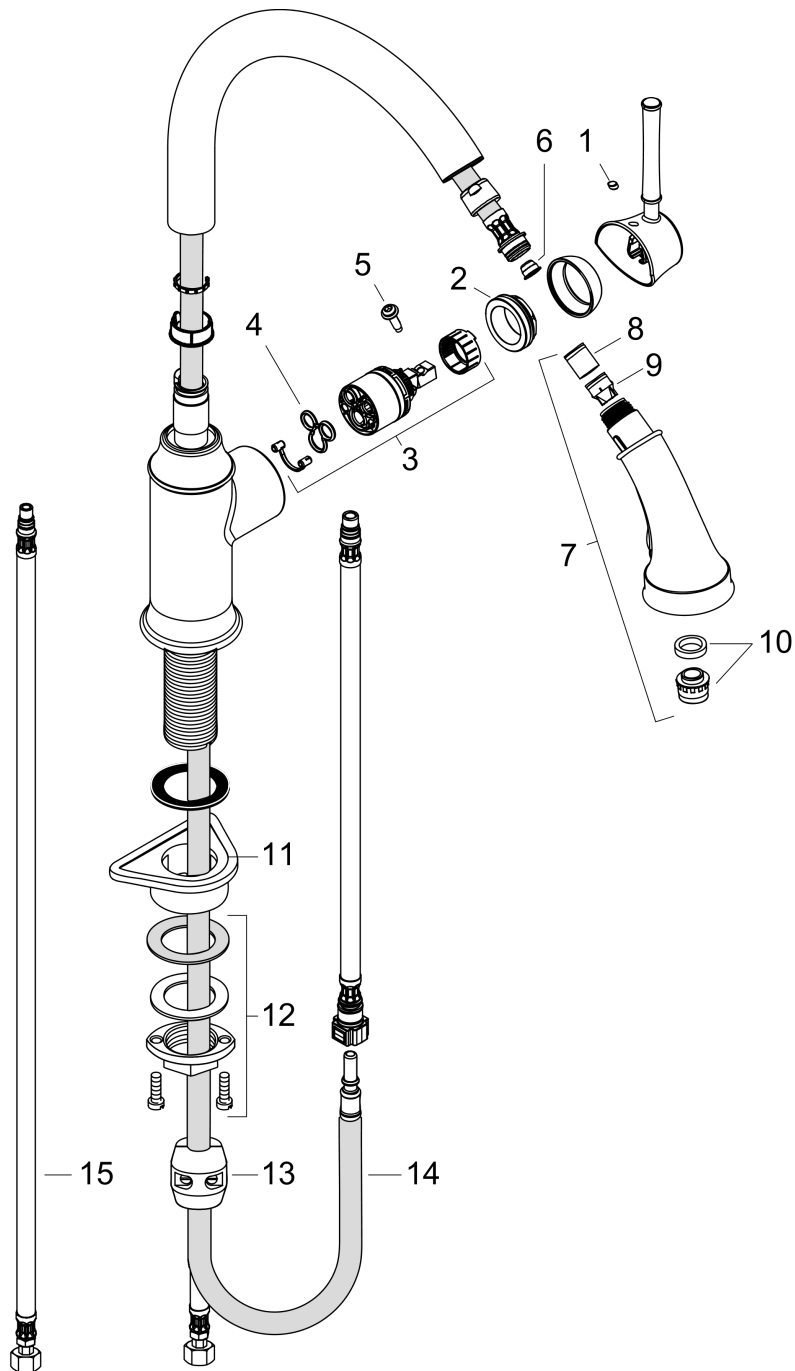


Talis C
Talis C 2-Spray Prep Kitchen Faucet, Pull-Down
Finishes : **Chrome** Part no. : **04216000**



Exploded drawing

Year of production: >08/10



Talis C

Talis C 2-Spray Prep Kitchen Faucet, Pull-Down

Finishes : **Chrome** Part no. : **04216000**



Spare parts list

Year of production: >08/10

Pos.	Description	Part no.	Price	PU
1	screw cover	96338000	-	1
2	nut	97209000	-	1
3	cartridge, assy	92730000	-	1
4	seal	95008000	-	1
5	locking screw for handle	95140000	-	1
6	filter	97735000	-	1
7	non return valve	95340000	-	1
8	set of non return valves DW 15	97350000	-	1
9	aerator M24x1 (15 l/min)	13913000	-	1
10	weight	98551000	-	1
11	fixing set (Ø 34)	95049000	-	1
12	support	97523000	-	1
13	connection hose 35½" M8x0,75 3/8"	96316001	-	1
14	handspray	95899000	-	1
15	hose 1,50 m	88624000	-	1
a	handle	95900000	-	1
b	flange	95498000	-	1
c	connection hose 600 mm M10x1	95561000	-	1