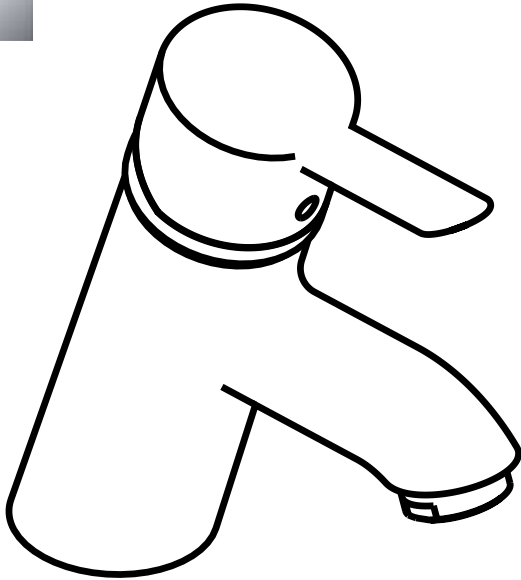


**ECO  
RIGHT**



## Product Features

- Solid brass
- Single-hole mount
- Single handle with M2 ceramic cartridge
- 1.5 gpm
- No drain or pull rod

## Code Compliance

This unit meets or exceeds the following:

- ASME A112.18.1
- CSA B125.1
- Listed by IAPMO
- WaterSense certified
- ADA compliant

## Available Finishes

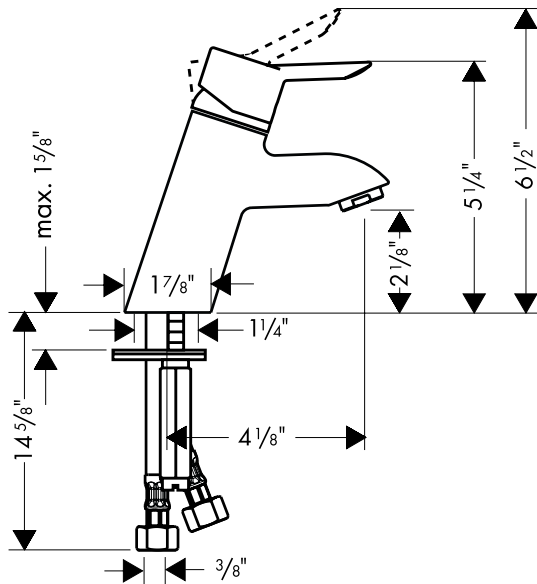
Chrome

31711001

## Optional Accessories

6" baseplate

06490XX0



The measurements shown are for reference only.

Products and specifications shown are subject to change without notice.

Specification sheet revised 2/2010