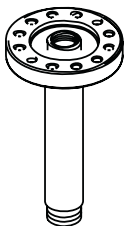
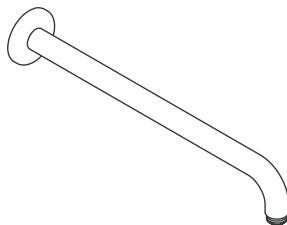
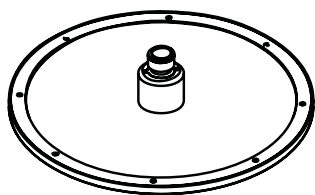


Installation Instructions / Warranty



Raindance Air Royale

28420001

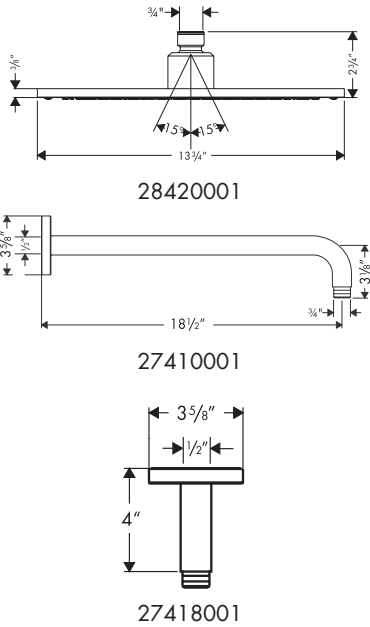
Ceiling Arm

27418001

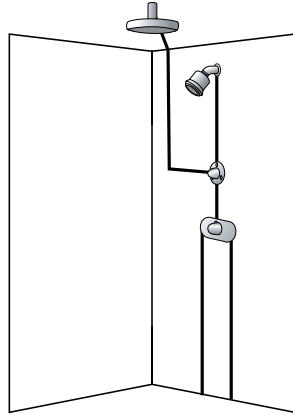
Shower Arm

27410001

hansgrohe



Suggested Layouts



Two-feature installation with Ecostat thermostatic mixer and Trio diverter.

Installation Considerations:

The 27418001 shower arm requires a 1/2" **male threaded nipple**, recessed 3/8" behind the finished surface of the ceiling.

The 27410001 shower arm requires 1/2" **male threaded nipple**, extending 5/8" outside the surface of the finished wall.

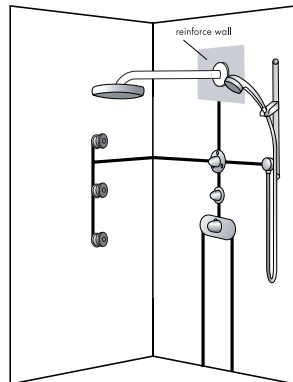
Hansgrohe recommends that the Raindance Air Royale showerhead be installed with the Ecostat thermostatic mixing valve. Do not install this showerhead with a pressure balancing valve.

A 12 mm allen wrench (not included) is useful for installing the ceiling mount arm. 12 mm allen wrenches are available at hardware and auto parts stores.

Technical Specification

Flow rate 2.5 gpm

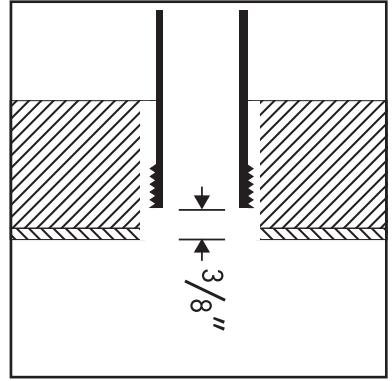
2



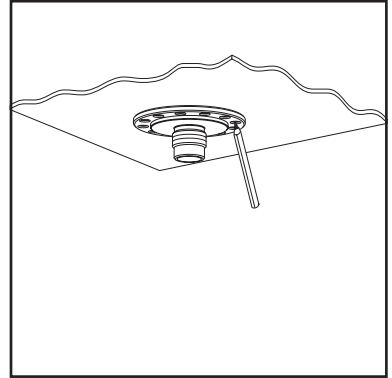
Three-function shower with Ecostat thermostatic mixer, 3/4" volume control, and Quattro diverter.

27418001 Installation Instructions:

Install a 1/2" male threaded nipple, recessed 3/8" behind the surface of the finished ceiling.

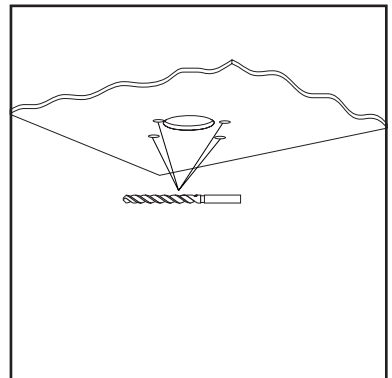


Using the mounting plate as a template, mark the positions for four screw holes. Put the mounting plate in a safe place.

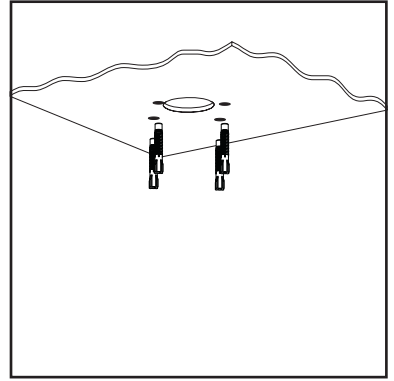


The showerhead and arm assembly weighs approximately 20 lbs. The enclosed mounting hardware is suitable for a solid surface only.

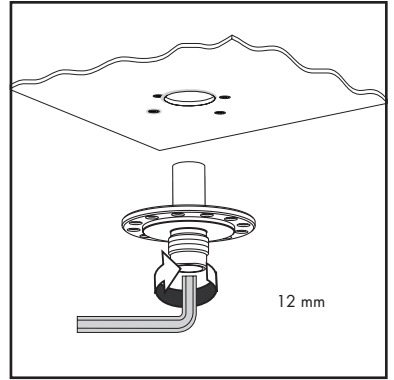
Drill the holes with a 6mm bit suitable for the ceiling surface.



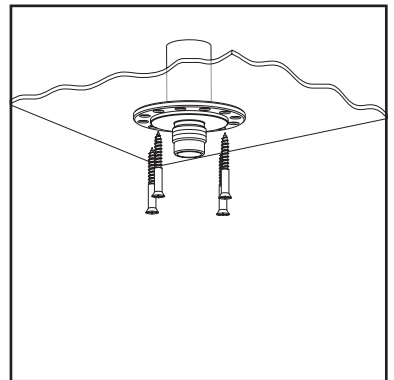
Install the anchors. Seal around the nipple and the elbows with a waterproof bathroom sealant suitable for the ceiling surface.



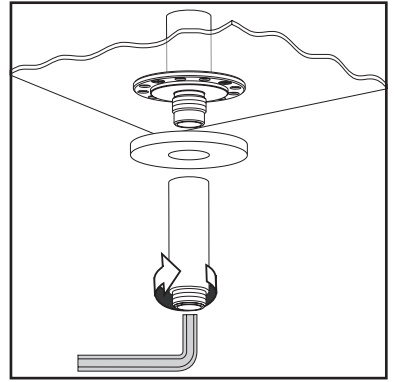
Install the mounting plate.



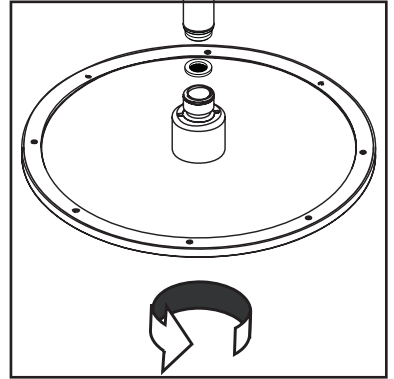
Secure the mounting plate to the ceiling with four screws.



Install the trim plate and the arm.

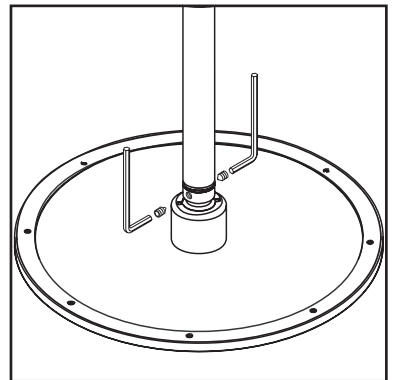


Install the showerhead.



Caution: the showerhead is heavy. Damage to the showerhead or to the shower enclosure caused by dropping the showerhead is not covered under the Hansgrohe warranty.

Tighten the safety screws with a 2 mm Allen wrench.



27410001 Installation Instructions

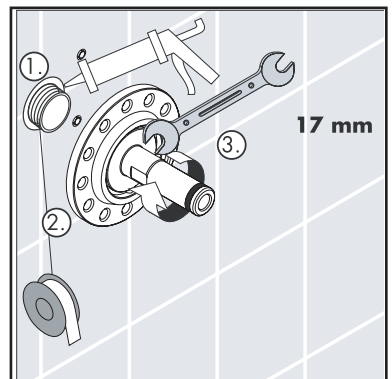
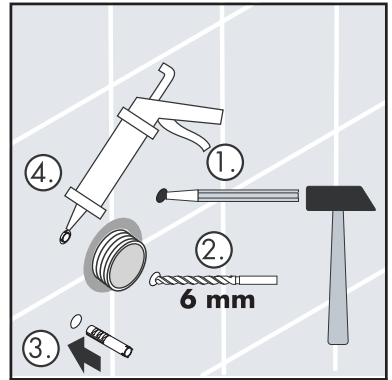
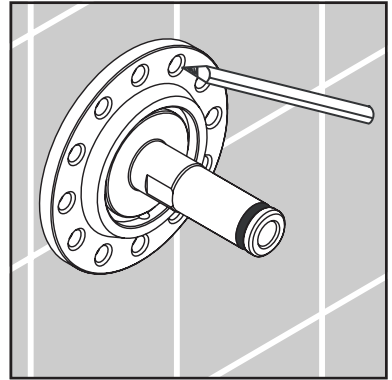
Position the mounting piece over the nipple. Mark the positions for four screw holes. Put the mounting piece in a safe place.

Caution: do not drill into water line!

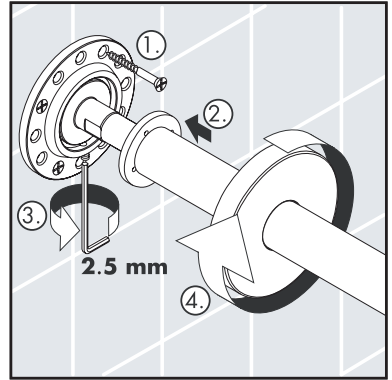
Drill the screw holes with a 6 mm drill bit suitable for the wall surface (1,2). Install the anchors (3). Seal the wall around the anchors with a waterproof bathroom sealant.

The showerhead and arm assembly weighs approximately 20 lbs. The enclosed mounting hardware is suitable for a solid surface only.

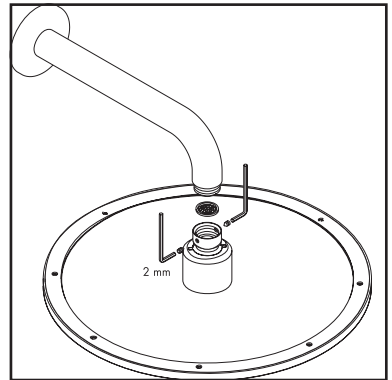
Seal the wall around the nipple with a waterproof bathroom sealant (1). Wrap the threads on the nipple with Teflon® thread tape (2). Install the mounting piece with a 17 mm wrench (3).



Secure the mounting piece to the wall with the four screws (1). Position the shower arm over the mounting piece (2). Tighten the set screw with a 2.5 mm allen wrench (3). Thread the escutcheon over the mounting piece by turning it clockwise (4).

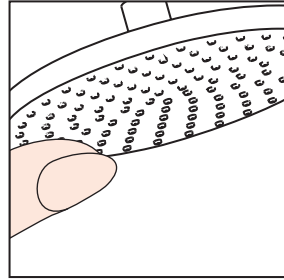


Install the showerhead on the arm. Tighten the safety screws with a 2 mm Allen wrench.



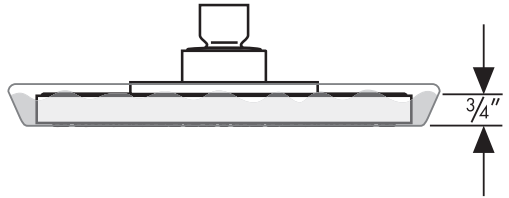
Cleaning Instructions:

The Raindance Air Royale showerhead uses the Rubiit™ self-cleaning system. The spray channels are lined with a substance that resists scale buildup. If scale deposits are noticed in the spray channels, turn the water on lightly and rub across them with a finger or a sponge to dislodge the deposits.



If scale builds up on the spray face, pour about 3/4" of a commercial scale remover, such as Lime-Away™ or CLR™ into a shallow dish. Stand the showerhead in the solution for the time indicated in the label instructions.

Rinse the showerhead thoroughly with clear water before using.



Cleaning Recommendation for Hansgrohe Products

Modern faucetry and shower products utilize a combination of materials to comply with the needs of the market with regard to design and functionality.

To avoid damage, it is necessary to use some caution when cleaning. Damage caused by improper treatment is not covered under the Hansgrohe warranty.

Cleaning Materials for Faucets and Showers

- To remove lime scale, use only products made specifically for that purpose. Always follow the manufacturer's instructions when using.
- Do not use cleaners that contain hydrochloric, formic, acetic, or phosphoric acids, as these will cause considerable damage to finishes and to plastic components.
- Never mix cleaning materials.
- Never use cleaners containing abrasives. Do not use abrasive cleaning cloths, pads, or sponges.

Cleaning Procedures

- Clean your faucets and shower products as and when required. Regular cleaning will prevent scale buildup and water spotting.
- Follow the label instructions. Do not allow any cleaner to remain on the product for longer than necessary.
- When using spray cleaners, spray first onto a sponge or cloth – do not spray directly onto the product.
- After cleaning, rinse thoroughly with clear water to remove any cleaner residue.

Important

- Soap and shampoo residue can also cause damage to the product. Rinse well with clean water after use.
- If the surface is already damaged, harsh cleaning materials will cause further damage.

Limited Lifetime Consumer Warranty

This product has been manufactured and tested to the highest quality standards by Hansgrohe, Inc. ("Hansgrohe"). This warranty is limited to Hansgrohe products which are purchased by a consumer in the United States after March 1, 1996, and installed in either the United States or Canada.

WHO IS COVERED BY THE WARRANTY

This warranty extends to the original consumer purchaser only.

WHAT IS COVERED BY THE WARRANTY

This warranty covers only your Hansgrohe manufactured product. Hansgrohe warrants this product against defects in material or workmanship as follows: Hansgrohe will repair at no charge for parts only or, at its option, replace any product or part of the product which proves defective because of improper workmanship and/or material, under normal installation, use, service and maintenance. If Hansgrohe is unable to provide a replacement and repair is not practical or cannot be timely made, Hansgrohe may elect to refund the purchase price in exchange for the return of the product.

LENGTH OF WARRANTY

Replacement or repaired parts of products will be covered for the term of this warranty as stated in the following two sentences. If you are a consumer who purchased the product for use primarily for personal, family, or household purposes, this warranty extends for as long as you own the product and the home in which the product is installed. If you purchased the product for use primarily for any other purpose, including, without limitation, a commercial purpose, this warranty extends only (i) for 1 year, with respect to Interaktiv and Retroaktiv products, and (ii) for 5 years, with respect to AXOR, ShowerPower and Pharo products.

THIS WARRANTY DOES NOT COVER, AND HANSGROHE WILL NOT PAY FOR:

- A. Conditions, malfunctions or damage not resulting from defects in material or workmanship.
- B. Conditions, malfunctions or damage resulting from (1) improper installation, improper maintenance, misuse, abuse, negligence, accident or alteration, or (2) the use of abrasive or caustic cleaning agents or "no rinse" cleaning products, or the use of the product in any manner contrary to the product instructions.
- C. Labor or other expenses for the disconnection or return of the product for warranty service, or for installation or reinstallation of the product.
- D. Accessories or related products not manufactured by Hansgrohe.

TO OBTAIN WARRANTY SERVICE

Contact your Hansgrohe retailer, or write to Technical Service at:

Hansgrohe Inc.
1492 Bluegrass Lakes Parkway
Alpharetta GA 30004

Or, call Hansgrohe toll-free at (800) 334-0455.

In requesting warranty service, you will need to provide

1. The sales receipt or other evidence of the date and place of purchase.
2. A description of the problem.
3. Delivery of the product or the defective part, postage prepaid and carefully packed and insured, to Hansgrohe Inc. 1492 Bluegrass Lakes Parkway, Alpharetta, Georgia 30004, Attention: Technical Service, if required by Hansgrohe.

When warranty service is completed, any repaired or replacement product or part will be returned to you postage prepaid.

EXCLUSIONS AND LIMITATIONS

REPAIR OR REPLACEMENT (OR, IN LIMITED CIRCUMSTANCES, REFUND OF THE PURCHASE PRICE) AS PROVIDED UNDER THIS WARRANTY IS THE EXCLUSIVE REMEDY OF THE PURCHASER. HANSGROHE NEITHER ASSUMES NOR AUTHORIZES ANY PERSON TO CREATE FOR IT ANY OBLIGATION OR LIABILITY IN CONNECTION WITH THIS PRODUCT.

HANSGROHE SHALL NOT BE LIABLE TO PURCHASER OR ANY PERSON FOR ANY INCIDENTAL, SPECIAL, OR CONSEQUENTIAL DAMAGES, ARISING OUT OF BREACH OF THIS WARRANTY OR ANY IMPLIED WARRANTY (INCLUDING MERCHANTABILITY).

Some States do not allow the exclusion or limitation of incidental or consequential damages, so the above limitation or exclusion may not apply to you.

This warranty gives you specific legal rights, and you may have other rights which vary from State to State.

You may be required by law to give us a reasonable opportunity to correct or cure any failure to comply before you can bring any action in court against us under the Magnuson-Moss Warranty Act.

PRODUCT INSTRUCTIONS AND QUESTIONS

Upon purchase or prior to installation, please carefully inspect your Hansgrohe product for any damage or visible defect. Prior to installing, always carefully study the enclosed instructions on the proper installation and the care and maintenance of the product. If you have questions at any time about the use, installation, or performance of your Hansgrohe product, or this warranty, please call or write to us at the toll-free number and address printed above.

hansgrohe

Hansgrohe, Inc. • 1490 Bluegrass Lakes Parkway • Alpharetta GA 30004
Tel 770 360-9880 • Fax 770 360-9887

www.hansgrohe-USA.com