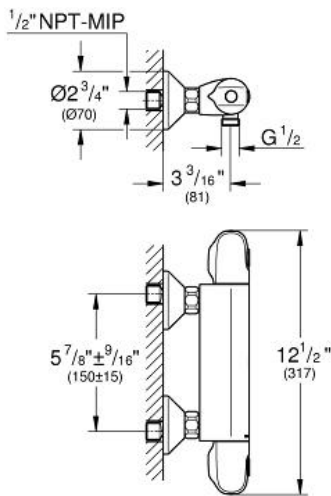


GROHThERM 1000 NEW
Thermostatic shower mixer 1/2"
MODEL # 34150

Pure Freude an Wasser



GROHE America, Inc | 200 North Gary Avenue, Suite G, Roselle, IL 60172
Phone: +1 (800) 444-7643 | Fax: +1 (800) 225-2778 | us-customerservice@grohe.com



Product Description:
Thermostatic shower mixer 1/2"

Standard Specification:

- Wall mount
- GROHE CoolTouch® safety housing
- GROHE StarLight® finish
- GROHE MetalGrip ergonomically shaped metal handles
- Safety stop at 100°F
- GROHE TurboStat® Compact cartridge with wax thermoelement
- Integrated mixed water shut off
- Volume control handle with economy button and individually adjustable economy stop
- 1/2" ceramic cartridge (180° turn)
- 1/2" Shower bottom outlet
- Built-in non-return valve
- Dirt strainers
- **Protected against backflow**
- S-union 1/2" NPT
- Metal escutcheon
- Min. recommended pressure: 15 psi
- GROHE EcoJoy® technology for less water and perfect flow

Applicable Codes & Standards:

- ASME A112.18.1/CSA B125.1

Color:

- 34150 003 chrome

