

27 867 Diverter Shower System



Features

Wall mounted
Includes:
Horizontal 17 11/16" swivel shower arm
Built-in diverter allows change between shower head and hand shower
Euphoria Shower Head (28233) with rain spray with ball joint, (rotation angle +/- 20°)
Euphoria hand shower (27493) with normal spray
Adjustable bar height with gliding element
Metal shower hose 59" (28417)
GROHE DreamSpray® technology
GROHE CoolTouch® technology
SpeedClean® anti-lime system
Optional 6" height extension (27921000) sold separately

Flow Rate

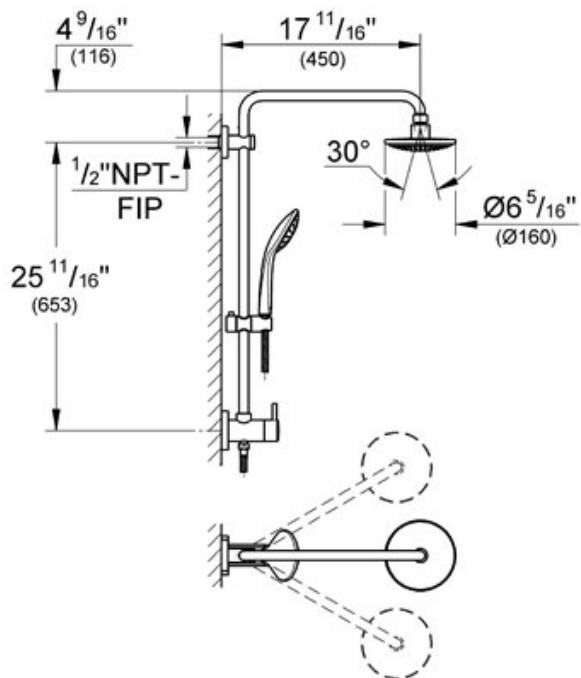
Maximum 2.5 gpm at 80 psi (9.5 L/min)

Code Compliance

ASME/ANSI A112.18.1M
CSA Standard B125.1-05
ADA Compliant

Available Finishes

000 Starlight® Chrome



19 933 Single Function Pressure Balance Valve Trim



Features

- For Shower or shower/tub with diverter applications
- Integrated bypass option when used with diverter tub-spout
- For use with GrohFlex Rough-In Box 35 026 000 (sold separately)

Flow Rate

6.6 at 45 psi

Code Compliance

ASME/ANSI A112.18.1M
CSA Standard B125.1-05

Available Finishes

000 Starlight® Chrome
EN0 Infinity Brushed Nickel

