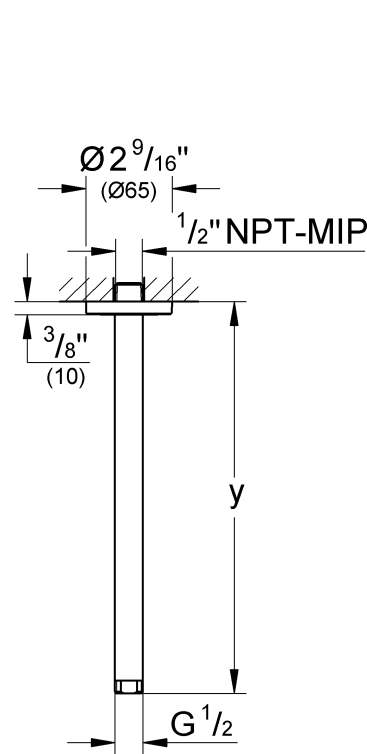
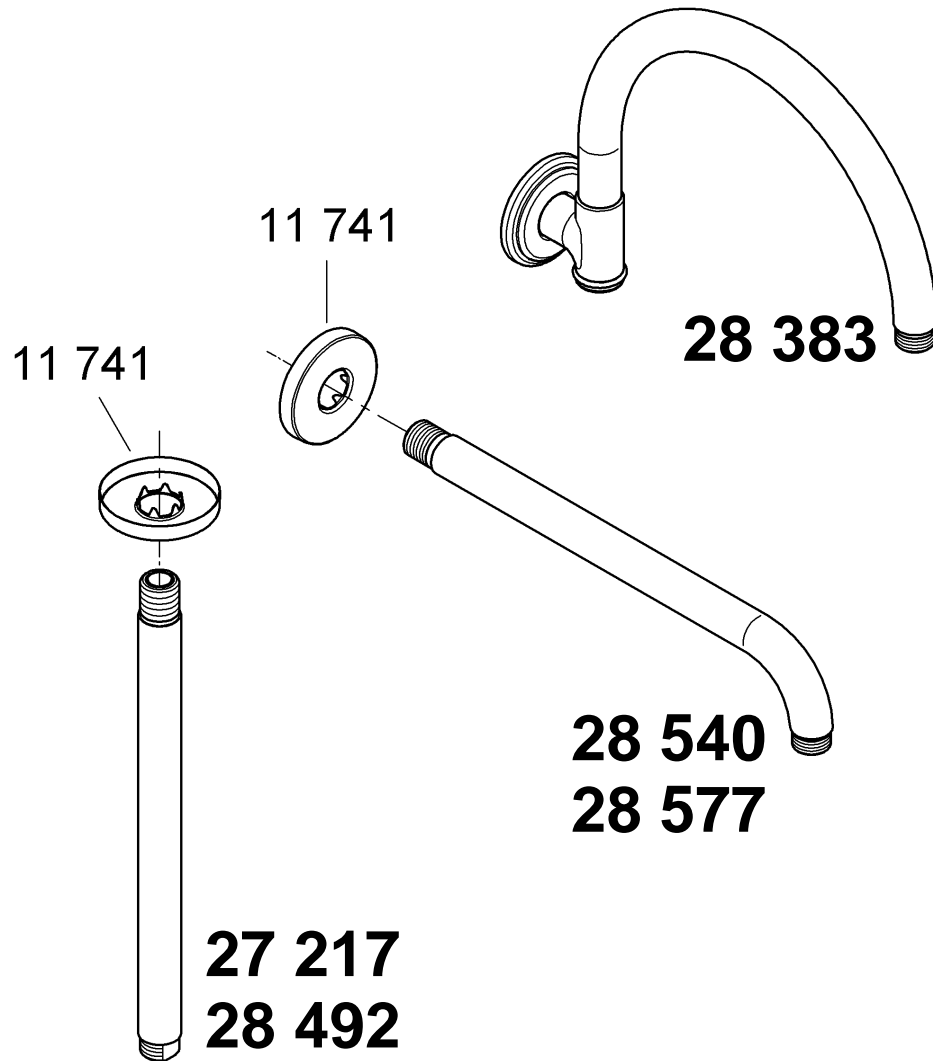


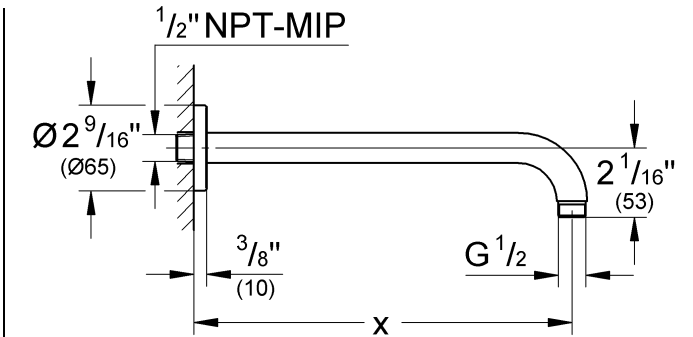


ENJOY WATER®



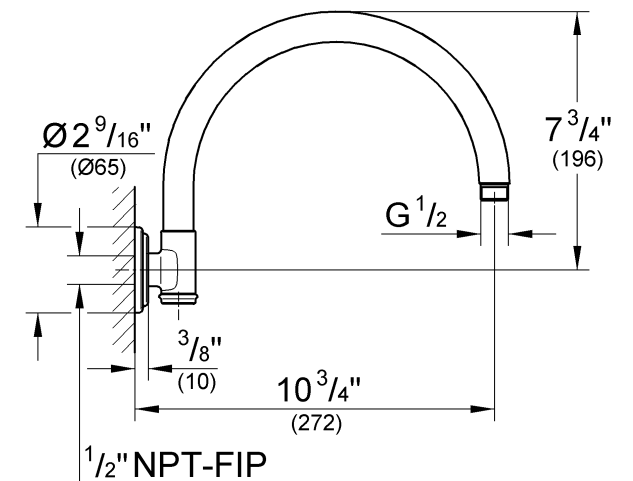
	y	y
27 217	5 3/4"	146
28 492	11 9/16"	296

27 217
28 492



	x	x
28 577	11 5/16"	287
28 540	15 1/4"	387

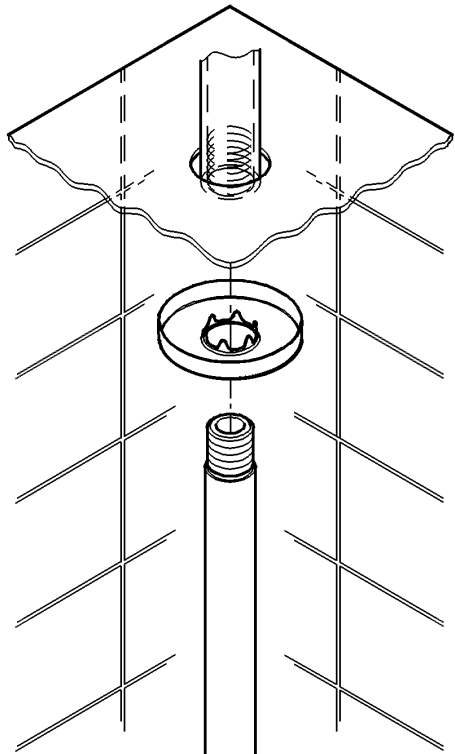
28 540
28 577



28 383

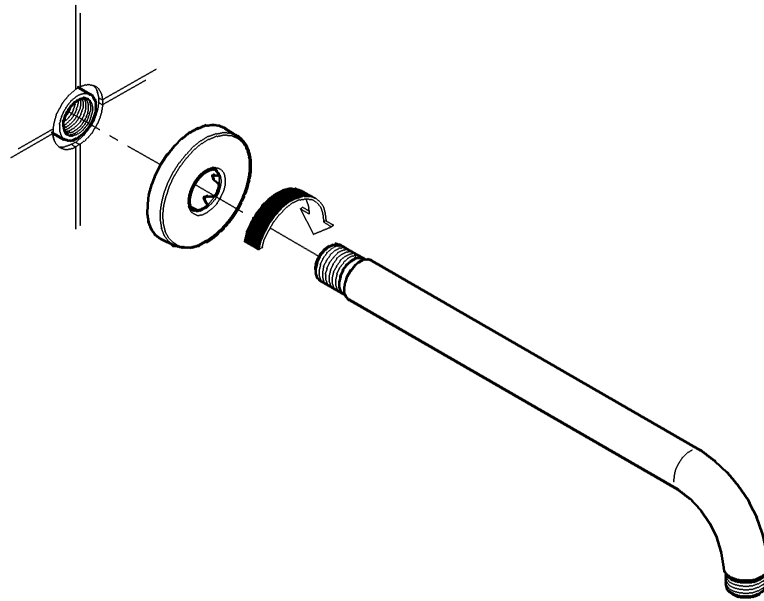


ENJOY WATER®

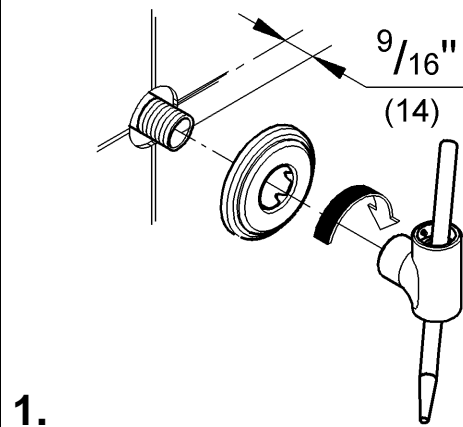


17mm

27 217
28 492

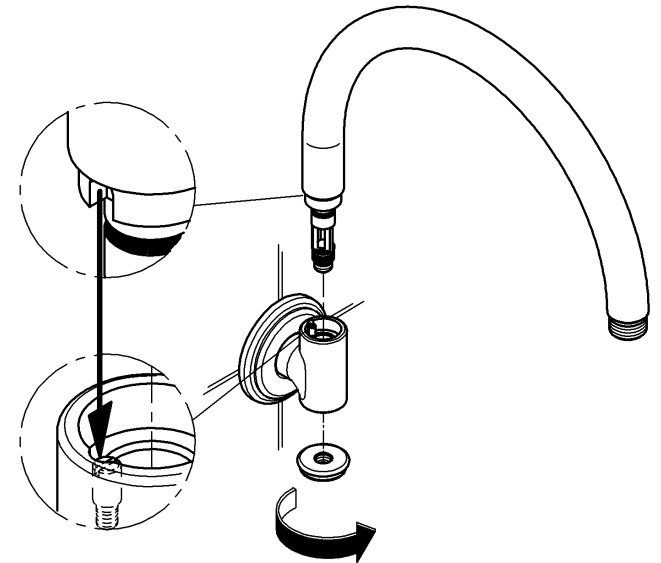


28 540
28 577



28 383

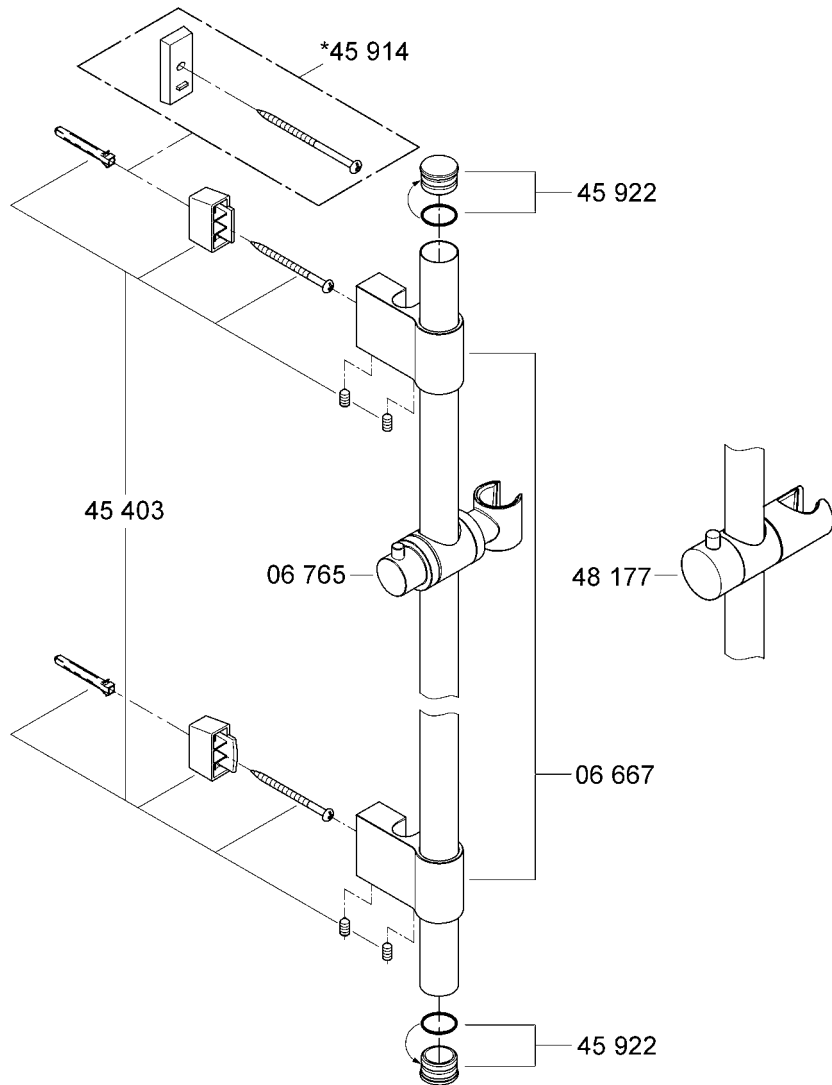
1.



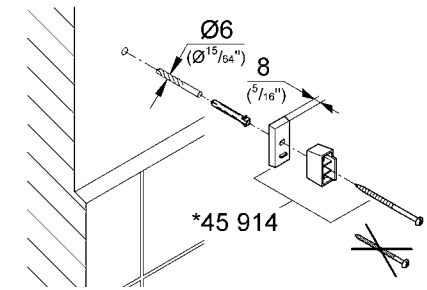
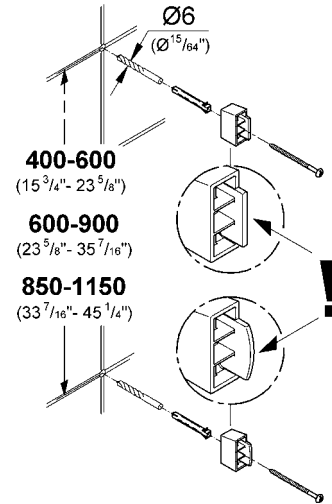
2.



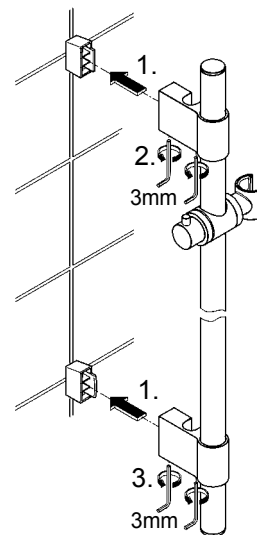
ENJOY WATER®



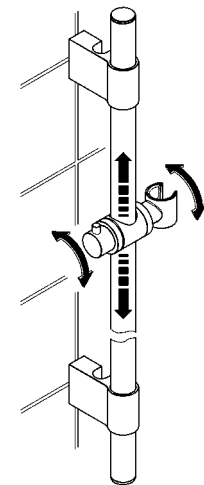
1.



2.

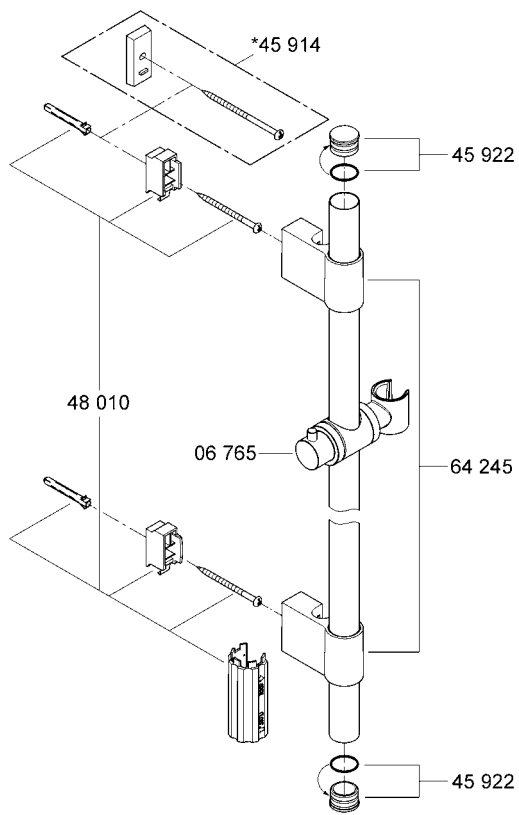


3.

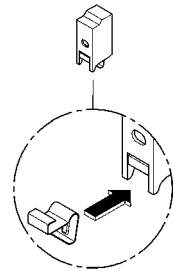




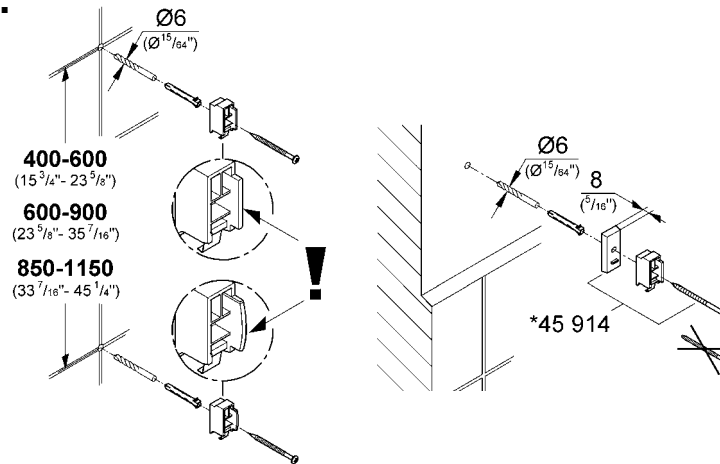
ENJOY WATER®



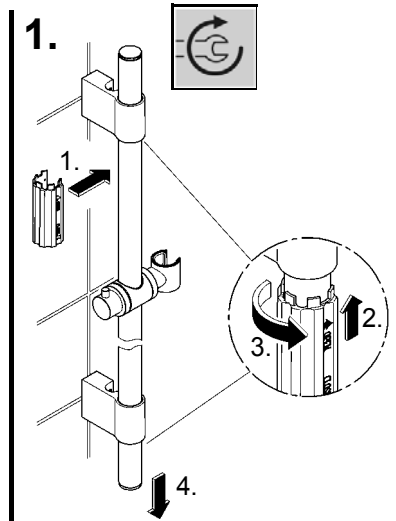
1.



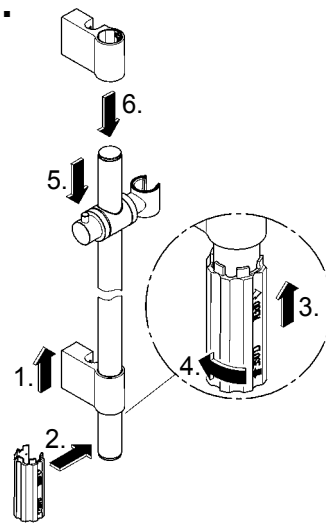
2.



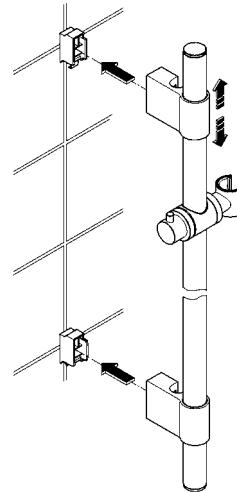
1.



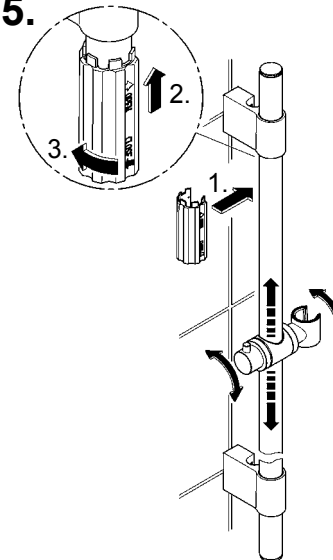
3.



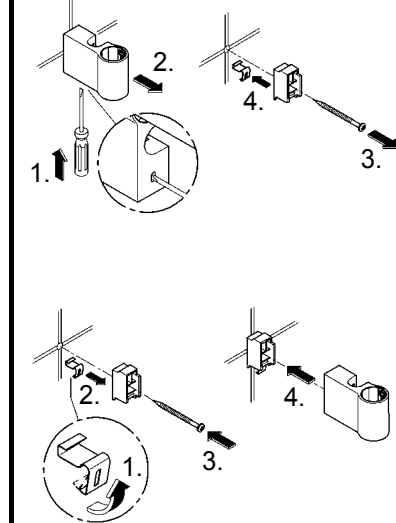
4.



5.

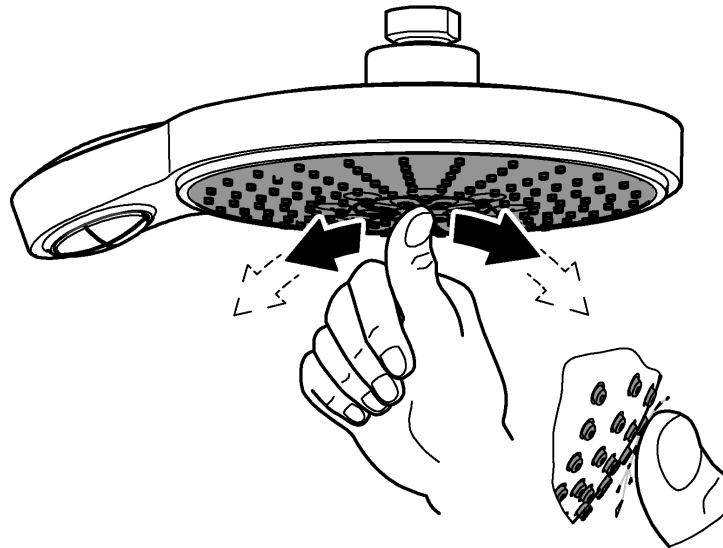


2.



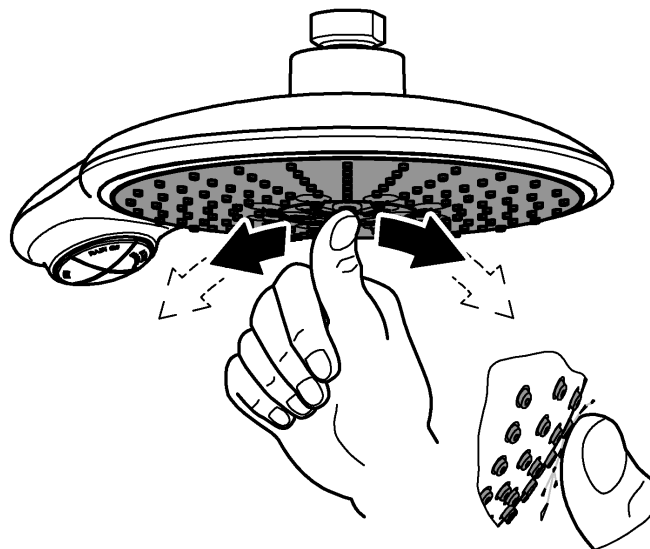


27 764
 27 765



SpeedClean

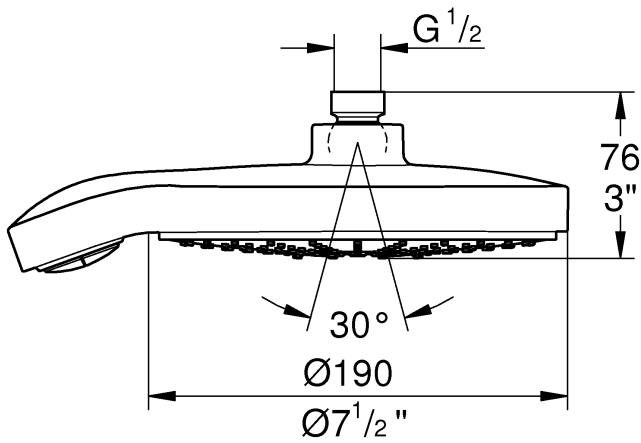
27 766
 27 767



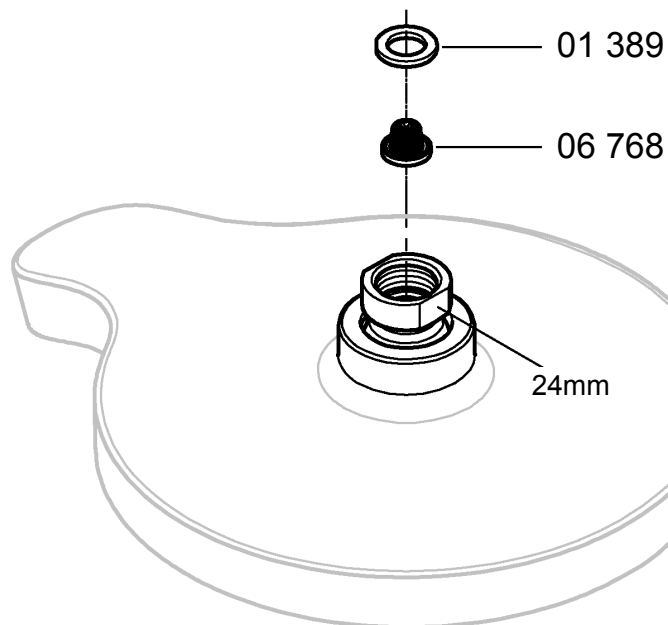
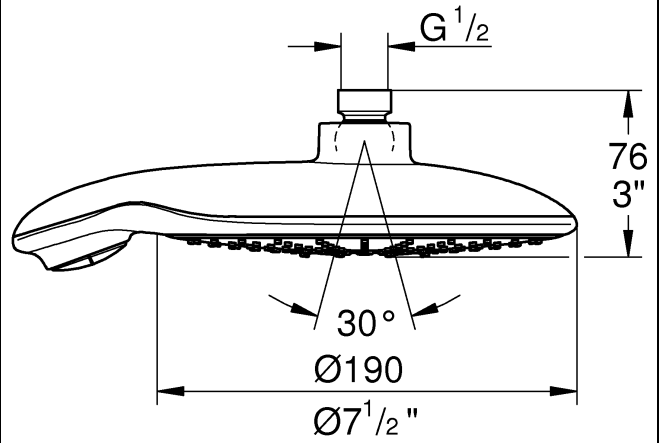
SpeedClean

D1	NL1	PL2	P2	BG3	CN3
GB1	S1	UAE2	TR2	EST3	RUS3
F1	DK1	GR2	SK2	LV3	USA3
E1	N2	CZ2	SLO3	LT3	
I1	FIN2	H2	HR3	RO3	

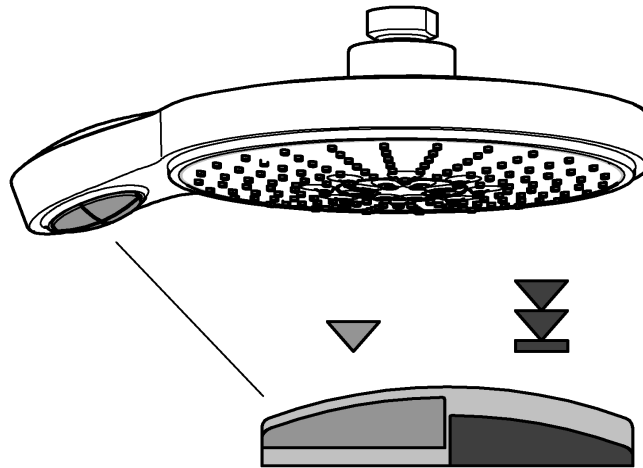
27 764
27 765



27 766
27 767



Bitte diese Anleitung an den Benutzer der Armatur weitergeben!
Please pass these instructions on to the end user of the fitting.
S.v.p remettre cette instruction à l'utilisateur de la robinetterie!

1**D**

Zum Zuschalten von Strahlarten Druckknopf leicht bis zum Druckpunkt betätigen.

Zur Aktivierung einer einzelnen Strahlart Druckknopf komplett herunterdrücken, siehe Abb. [1].

5 Jahre Garantie auf die gleichbleibende Funktion der SpeedClean-Düsen.

Durch die SpeedClean-Düsen, die regelmäßig gereinigt werden müssen, werden Kalkablagerungen am Strahlbildner durch einfaches Drüberstreichen entfernt.

GB

To activate spray jet types, press the pushbutton gently up to the actuation point.

To activate an individual spray jet type, press the pushbutton all the way down, see Fig. [1].

The function of the SpeedClean nozzles is guaranteed for a period of five years.

Thanks to the SpeedClean nozzles, which must be regularly cleaned, limescale deposits on the rose can be removed by simply rubbing with the fingers.

F

Appuyer légèrement sur le bouton-poussoir jusqu'au point de pression pour activer les différents jets.

Enfoncer complètement le bouton-poussoir pour activer un seul type de jet, voir fig. [1].

Les buses SpeedClean sont garanties 5 ans.

Les buses SpeedClean, qui doivent être nettoyées régulièrement, permettent d'éliminer, par frottement avec les doigts, les dépôts calcaires sur le diffuseur.

E

Para conectar los tipos de chorro pulse fácilmente el mando del inversor hasta el punto de contacto.

Para activar un solo tipo de chorro presione completamente el mando del inversor, véase la fig. [1].

Los conos SpeedClean tienen 5 años de garantía de funcionamiento. Las boquillas SpeedClean deben limpiarse con regularidad y gracias a ellas los depósitos calcáreos que se hayan podido formar en el aro de salida se eliminan con un simple frotado.

I

Per il collegamento dei tipi di getto, premere leggermente il tasto di azionamento fino al centro di pressione.

Per l'attivazione di un unico tipo di getto, premere a fondo il tasto di azionamento, vedere la fig. [1].

Garanzia di 5 anni sul funzionamento invariato degli ugelli SpeedClean.

Grazie agli ugelli SpeedClean, che devono essere puliti regolarmente, i residui calcarei sul disco getti possono essere rimossi semplicemente passandovi sopra un dito.

NL

Om straalsoorten toe te voegen, moet u de drukknop licht indrukken tot het drukpunt.

Voor het inschakelen van een enkele straalsoort moet u de drukknop volledig indrukken, zie afb. [1].

Wij verlenen 5 jaar garantie op het constant functioneren van de SpeedClean-sproeiers.

Door de SpeedClean-sproeiers, die regelmatig moeten worden gereinigd, wordt kalkaanslag op de straalfvormer door eenvoudig erover smeren verwijderd.

S

För att växla strålningstyper ska man trycka ned tryckknappen lätt till tryckpunkten.

För aktivering av en enskild strålningstyp ska man trycka ned tryckknappen helt, se fig. [1].

5 års garanti för att SpeedClean-munstyckenas funktion förblir oförändrad.

Tack vare SpeedClean-munstycket, som måste rengöras med jämna mellanrum, kan kalkavlagringar på strålmunstycket tas bort enkelt genom att stryka över det.

DK

Slå stråletyperne til ved at trykke trykknappen let ind indtil trykpunktet.

Tryk trykknappen helt ned for at aktivere en enkelt stråletype, se ill. [1].

5 års garanti på SpeedClean-dysernes funktion.

SpeedClean-dyserne, der skal rengøres jævnligt, gør, at kalkaflejringer på stråleformerer ganske enkelt kan fjernes ved at tørre hen over dem.

<p>N</p> <p>Trykk trykknappen forsiktig inn til trykkpunktet for å koble inn stråletypene. Trykk trykknappen helt inn for å aktivere en enkelt stråletype, se bilde [1].</p> <p>5 års garanti på stabil funksjon av SpeedClean-dyser. Med SpeedClean-dyser, som må rengjøres jevnlig, fjernes kalkavleiringer på perlatoren ved å gni over den.</p>	<p>FIN</p> <p>Voit käyttää suihkuasentoja painamalla painonapin kevyesti pohjaan. Jos haluat ottaa tietyn yksittäisen suihkuasennon käyttöön, paina painonappi kokonaan pohjaan, ks. kuva [1].</p> <p>SpeedClean-suuttimien toimintakyvyn säilymiselle myönnetään 5 vuoden takuu. Säännöllisesti puhdistettavien SpeedClean-suuttimien avulla kalkkikerrostumat poistetaan suihkunmuodostajasta yhdellä pyyhkäisyllä.</p>
<p>PL</p> <p>W celu przełączenia rodzajów strumienia nacisnąć delikatnie przycisk do momentu oporu. W celu aktywacji poszczególnych rodzajów strumienia całkowicie wcisnąć przycisk, zobacz rys. [1].</p> <p>5 lat gwarancji na niezawodne działanie dysz samooczyszczających SpeedClean. Dzięki dyszom SpeedClean, które należy regularnie czyścić, osady wapienne z kształtownika strumienia można usunąć poprzez przetarcie jego powierzchni.</p>	<p>UAE</p> <p>لتشغيل أنواع منفث الرش، اضغط على الزر بلطف نحو الأعلى إلى نقطة التشغيل. لتشغيل أحد أنواع منفث الرش، اضغط على الزر بلطف نحو الأسفل، انظر شكل [1].</p> <p>نحن نضمن لك بقاء وظيفية منافذ التنظيف السريع SpeedClean بنفس مستوى الجودة لمدة 5 سنوات. يفضل منافذ التنظيف السريع SpeedClean يتم إزالة الترسبات الكلسية المتراكمة على فتحات تشكيل التدفق من خلال المسح فوقها بكل بساطة.</p>
<p>GR</p> <p>Για τη σύνδεση μοτίβων ψεκασμού πατήστε το μπουτόν ελαφρά ως το σημείο πίεσης. Για την ενεργοποίηση ενός μεμονωμένου μοτίβου ψεκασμού πατήστε το μπουτόν ως το τέρμα, βλέπε εικ. [1].</p> <p>5 χρόνια εγγύηση για την αδιάκοπη λειτουργία των θηλών - Speed clean. Με τις θηλές SpeedClean, οι οποίες πρέπει να καθαρίζονται τακτικά, οι επικαθίσεις αλάτων ασβεστίου απομακρύνονται από το διαμορφωτή ψεκασμού με ένα απλό καθάρισμα από πάνω.</p>	<p>CZ</p> <p>Vodních paprsky zapnete lehkým stisknutím tlačítka až do bodu zamáčknutí. K aktivaci jednoho z vybraných vodních paprsků zamáčkněte tlačítko úplně, viz obr. [1].</p> <p>Na konstantní funkci trysek SpeedClean se poskytuje záruka 5 let. Usazeniny vodního kamene na regulátoru rozptylu paprsků lze odstranit jednoduchým přetřením povrchu trysek SpeedClean. Tyto trysky čistěte pravidelně.</p>
<p>H</p> <p>A különféle vízszugárformák átkapcsolásához nyomja meg enyhén a nyomógombot a kapcsolási pontig. Az egyes vízszugárformák aktiválásához nyomja le teljesen a nyomógombot, lásd [1]. ábra.</p> <p>A SpeedClean fűvókákra 5 év garancia érvényes. A SpeedClean fűvókák révén, amelyeket rendszeresen tisztítani kell, a sugárképzőn keletkezett vízkőlerakódások egyszerű, kézzel történő simítással eltávolíthatók.</p>	<p>P</p> <p>Para ativação de tipos de jacto accionar ligeiramente o botão de accionamento até ao ponto de pressão. Para ativação de um único tipo de jacto premir completamente o botão de accionamento, ver fig. [1].</p> <p>5 anos de garantia de manutenção de um funcionamento igual dos orifícios de saída SpeedClean. Através das saídas SpeedClean, as quais têm de ser limpas regularmente, os depósitos de calcário no formador do jacto de água são eliminados com uma simples passagem da mão.</p>
<p>TR</p> <p>Akiş türlerini açmak için basma tuşuna, basıncın algılandığı noktaya kadar hafifçe basın. Tek bir akış türünü etkinleştirmek için basma tuşuna sonuna kadar basın, bkz. şekil [1].</p> <p>SpeedClean çıkışları 5 sene garanti kapsamındadır. Düzenli olarak temizlenmesi gereken, SpeedClean-uçları sayesinde kireç tabakalarını temizlemek için parmağınızı duşun üzerinden geçirmeniz yeterlidir.</p>	<p>SK</p> <p>Vodné lúče zapnete ľahkým stlačením tlačidla až do bodu zatlačenia. Pre aktiváciu jedného z vybraných vodných lúčov zatlačte tlačidlo úplne, pozri obr. [1].</p> <p>Na konštantnú funkciu trysiek SpeedClean sa poskytuje záruka 5 rokov. Vápenaté usadeniny na regulátore rozptylu prúdu sa dajú odstrániť jednoduchým pretretím povrchu trysiek SpeedClean, ktoré je potrebné pravidelne čistiť.</p>

<p>(SLO)</p> <p>Za priklop načinov sevanja rahlo aktivirajte potisni gumb do sprožilca. Za aktiviranje posameznega načina sevanja potisnite potisni gumb popolnoma navzdol, glej sl. [1].</p> <p>5-letna garancija za nespremenjeno delovanje šob SpeedClean. Šobe SpeedClean, ki jih je treba redno čistiti, omogočajo, da nabrani vodni kamen z glave razpršilnika odstranite tako, da preprosto potegnete čeznje.</p>	<p>(HR)</p> <p>Za spajanje vrsta snopova lagano pritisnite potisni gumb do pritisne točke. Za aktiviranje pojedinačne vrste snopa do kraja pritisnite potisni gumb, pogledajte sl. [1].</p> <p>Petogodišnje jamstvo na za nepromijenjenu funkcijubespriekorno funkcioniranje SpeedClean-sapnica. Pomoću SpeedClean-sapnica, koje se moraju redovito čistiti, mogu se odstraniti talozi vapnenca na oblikovniku mlaza, tako da se jednostavno prebrišu.</p>
<p>(BG)</p> <p>За включване на различните видове струя бутонът се натиска леко до точката на натиск. За активирание на отделен вид струя бутонът се натиска изцяло до долу, виж фиг. [1].</p> <p>5 години гаранция за функционирането на дюзите - SpeedClean. С помощта на дюзите SpeedClean, които трябва редовно да се почистват, отлагания от варовик по струйника се отстраняват лесно чрез избърсване с ръка.</p>	<p>(EST)</p> <p>Surve aktiveerimiseks vajutage surunuppu õrnalt, kuni võimalik. Surve surunupu aktiveerimiseks vajutage see täielikult alla, vt joonist [1].</p> <p>SpeedClean-düüside muutumatu töötamise garantiiajaks on 5 aastat. SpeedClean-düüside kaudu, mida tuleb korrapäraselt puhastada, saab dušipihustilt lubjasetet eemaldada lihtsa ülepühkimise teel.</p>
<p>(LV)</p> <p>Lai pieslēgtu papildu strūklu veidus, viegli spiediet spiedpogu, līdz tā atduras. Lai aktivētu kādu atsevišķu strūklas veidu, nospiediet spiedpogu līdz galam, skatiet [1.] attēlu.</p> <p>SpeedClean sprauslu darbam tiek dota 5 gadu garantija. Kalkū nogulsņējumus no strūklas veidotāja var viegli notīrīt, paberzējot Speed Clean sprauslas, kas regulāri jātīra.</p>	<p>(LT)</p> <p>Švelniai iki slėgio taško paspauskite purškimo režimams perjungti skirtą mygtuką. Norėdami įjungti vieną purškimo režimą, nuspauskite mygtuką iki galo, žr. [1] pav.</p> <p>„SpeedClean“ purkštukams suteikiama 5 metų nuolatinio veikimo garantija. „SpeedClean“ palengvina dušo, kurį reikia valyti reguliariai, priežiūrą. Pakanka per dušo galvutės skylutes perbraukti ranka ir nuo jų nubyrės susidariusios kalkių nuosėdos.</p>
<p>(RO)</p> <p>Pentru oprirea jetului de apă, acționați ușor butonul până la punctul de oprire. Pentru activarea unui singur jet de apă, apăsați complet butonul în jos; a se vedea fig. [1].</p> <p>5 ani garanție pentru funcționarea stabilă a duzelor SpeedClean. Prin duzele cu spălare rapidă (SpeedClean), care trebuie să fie curățate regulat, pot fi înlăturate prin simplă frecare depunerile de piatră de pe formatorul de jet.</p>	<p>(CN)</p> <p>要开启喷淋喷嘴类型，请轻按按钮至驱动点。 要开启独立喷淋喷嘴类型，请将按钮按到底，如图 [1] 所示。</p> <p>快速清洁 (SpeedClean) 喷嘴功能正常工作的保证期为 5 年。 由于采用快速清洁 (SpeedClean) 喷嘴 (必须定期清洁)，喷雾器喷嘴上的钙质沉积可以用手指直接擦去。</p>
<p>(RUS)</p> <p>Для включения режимов распыления просто достаточно легко нажимать кнопку до промежуточного упора. Для активации единственного режима распыления необходимо полностью нажать кнопку вниз, см. рис. [1].</p> <p>5 лет гарантии на неизменное функционирование быстро очищаемых форсунок. Благодаря форсункам быстрого очищения SpeedClean, которые необходимо периодически чистить, известковые отложения на формирователе струй удаляются простым вытиранием.</p>	<p>(USA)</p> <p>To activate spray jet types, press the pushbutton gently up to the actuation point. To activate an individual spray jet type, press the pushbutton all the way down, see Fig. [1].</p> <p>The function of the SpeedClean nozzles is guaranteed for a period of five years. Thanks to the SpeedClean nozzles, which must be regularly cleaned, limescale deposits on the rose can be removed by simply rubbing with the fingers.</p>

Pure Freude an Wasser

GROHE
WAVES

D

+49 571 3989 333
impressum@grohe.de

A

+43 1 68060
info-at@grohe.com

AUS

Argent Sydney
+(02) 8394 5800
Argent Melbourne
+(03) 9682 1231

B

+32 16 230660
info.be@grohe.com

BG

+359 2 9719959
grohe-bulgaria@grohe.com

CAU

+99 412 497 09 74
info-az@grohe.com

CDN

+1 888 6447643
info@grohe.ca

CH

+41 448777300
info@grohe.ch

CN

+86 21 63758878

CY

+357 22 465200
info@grome.com

CZ

+420 277 004 190
grohe-cz@grohe.com

DK

+45 44 656800
grohe@grohe.dk

E

+34 93 3368850
grohe@grohe.es

EST

+372 6616354
grohe@grohe.ee

F

+33 1 49972900
marketing-fr@grohe.com

FIN

+358 10 8201100
teknocalor@teknocalor.fi

GB

+44 871 200 3414
info-uk@grohe.com

GR

+30 210 2712908
nsapountzis@ath.forthnet.gr

H

+36 1 2388045
info-hu@grohe.com

HK

+852 2969 7067
info@grohe.hk

I

+39 2 959401
info-it@grohe.com

IND

+91 124 4933000
customercare.in@grohe.com

IS

+354 515 4000
jonst@byko.is

J

+81 3 32989730
info@grohe.co.jp

KZ

+7 727 311 07 39
info-cac@grohe.com

LT

+372 6616354
grohe@grohe.ee

LV

+372 6616354
grohe@grohe.ee

MAL

+1 800 80 6570
info-singapore@grohe.com

N

+47 22 072070
grohe@grohe.no

NL

+31 79 3680133
vragen-nl@grohe.com

NZ

+09/373 4324

P

+351 234 529620
commercial-pt@grohe.com

PL

+48 22 5432640
biuro@grohe.com.pl

RI

+62 21 2358 4751
info-singapore@grohe.com

RO

+40 21 2125050
info-ro@grohe.com

ROK

+82 2 559 0790
info-singapore@grohe.com

RP

+63 2 8041617

RUS

+7 495 9819510
info@grohe.ru

S

+46 771 141314
grohe@grohe.se

SGP

+65 6 7385585
info-singapore@grohe.com

SK

+420 277 004 190
grohe-cz@grohe.com

T

+66 2610 3685
info-singapore@grohe.com

TR

+90 216 441 23 70
GroheTurkey@grome.com

UA

+38 44 5375273
info-ua@grohe.com

USA

+1 800 4447643
us-customerservice@grohe.com

VN

+84 8 5413 6840
info-singapore@grohe.com

AL **BiH** **HR** **KS**

ME **MK** **SLO** **SRB**

+385 1 2911470
adria-hr@grohe.com

**Eastern Mediterranean,
Middle East - Africa**

Area Sales Office:
+357 22 465200
info@grome.com

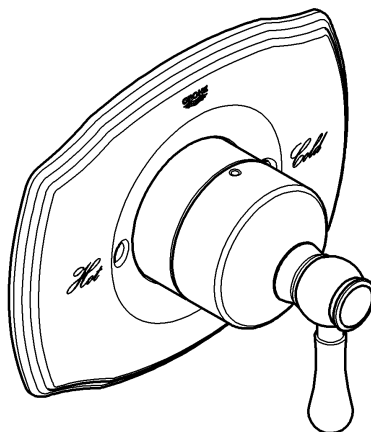
IR **OM** **UAE** **YEM**

+971 4 3318070
grohedubai@grome.com

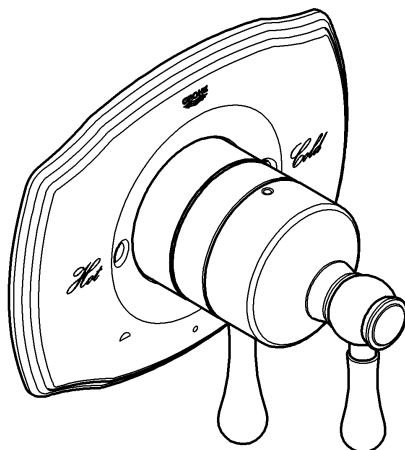
Far East Area Sales Office:

+65 6311 3600
info@grohe.com.sg

19 843

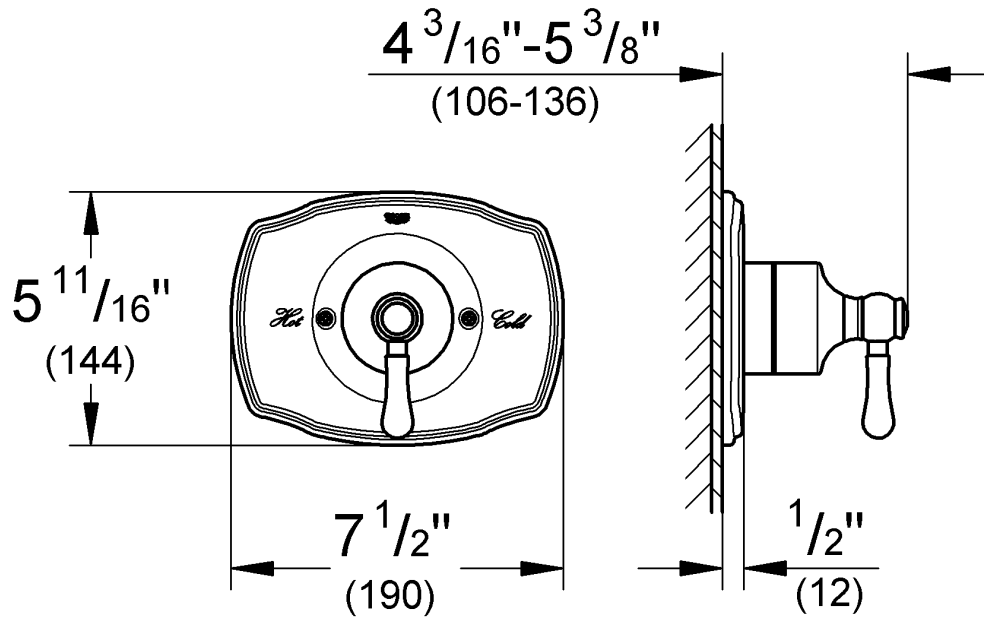


19 844

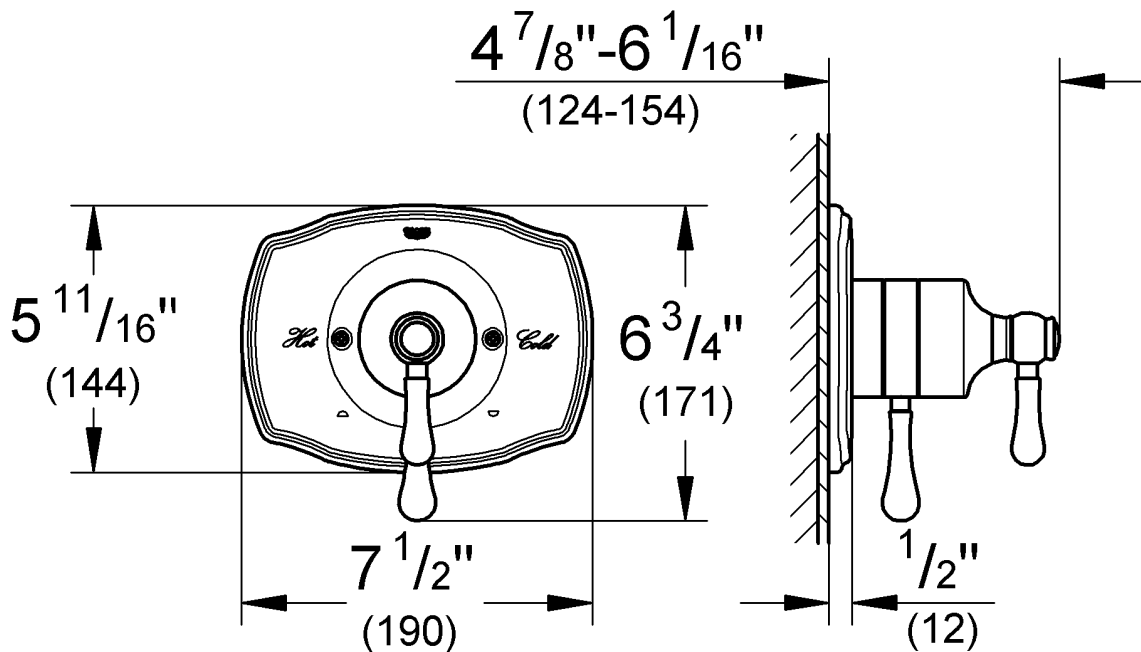


English1
Français6
Español11

Type #1
19 843

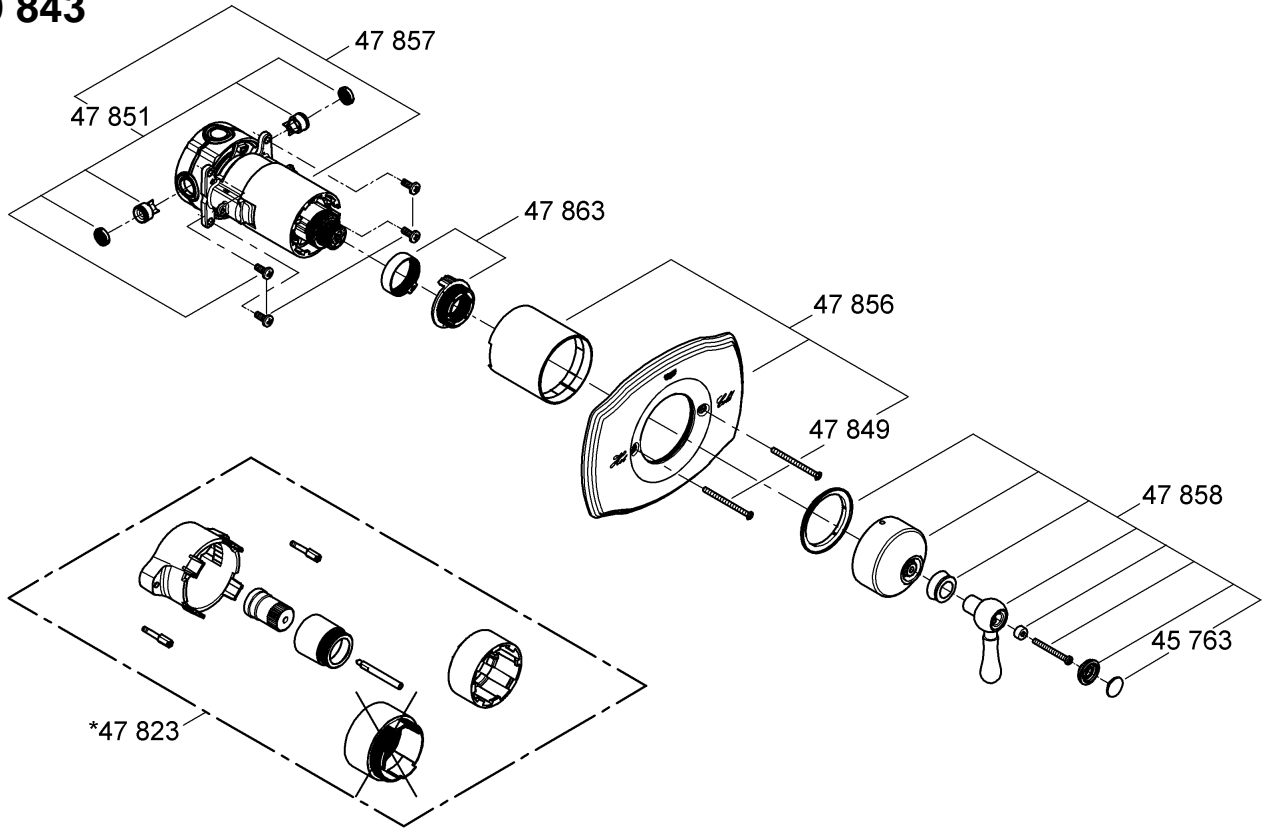


Type #2
19 844

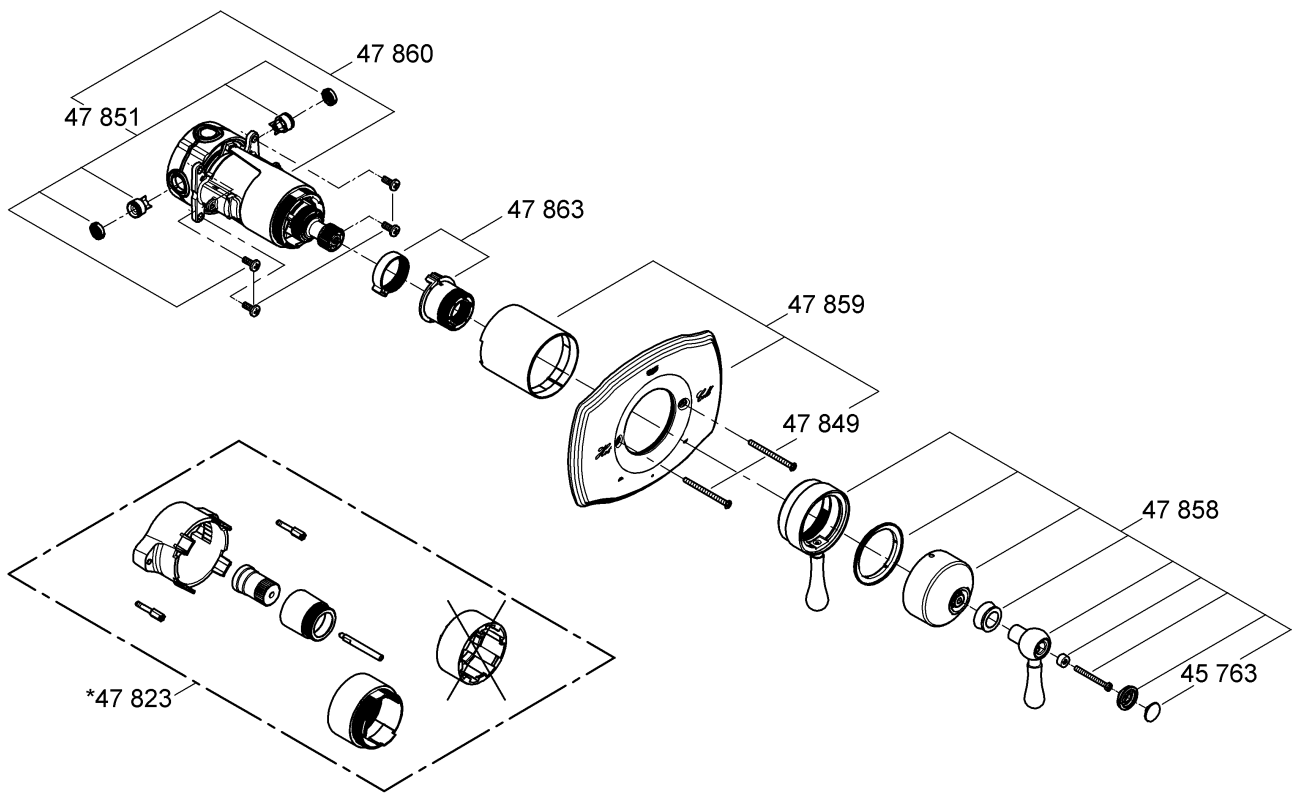


Please pass these instructions on to the end user of the fitting!
S.v.p remettre cette instruction à l'utilisateur de la robinetterie!
Entregue estas instrucciones al usuario final de la grifería!

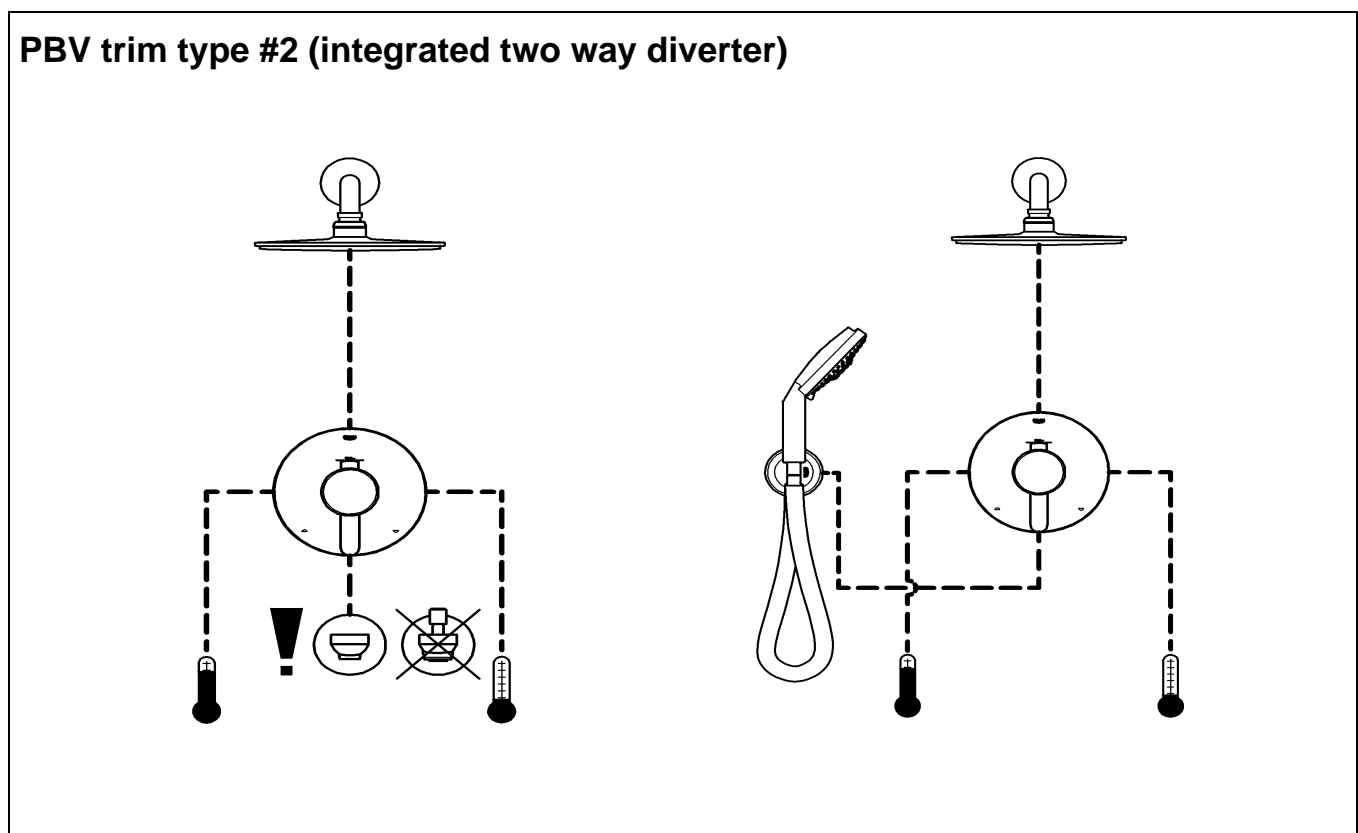
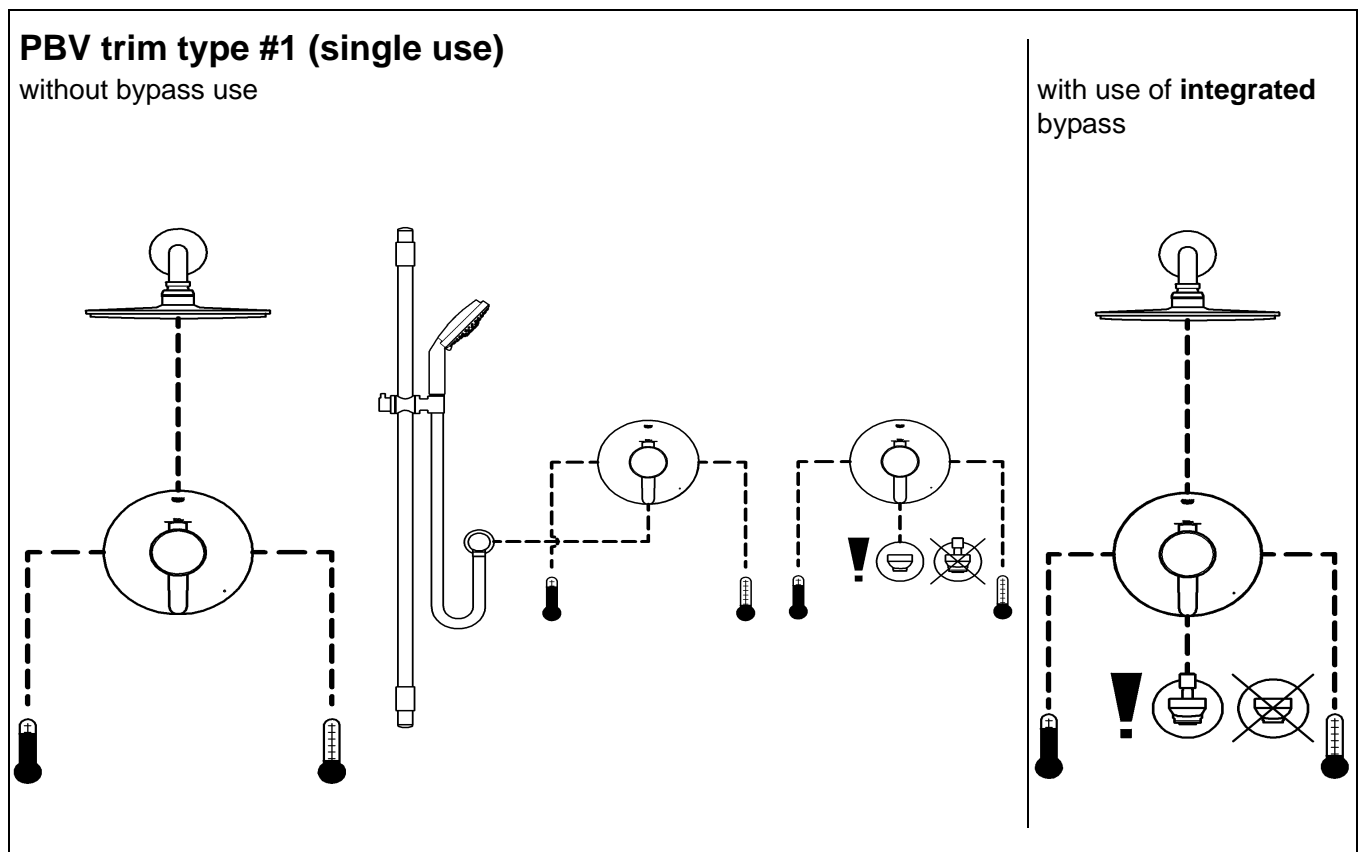
Type #1
19 843



Type #2
19 844



Installation options with different types of trims



Please pass these instructions on to the end user of the faucet!

English

General Application

These Pressure Balance Valves are for use with GrohFlex™ universal rough-in valve.

Planing of piping is done at the time of the rough installation. 2 different types of PBVs are possible.

Observe the possible combinations, see Page 1.

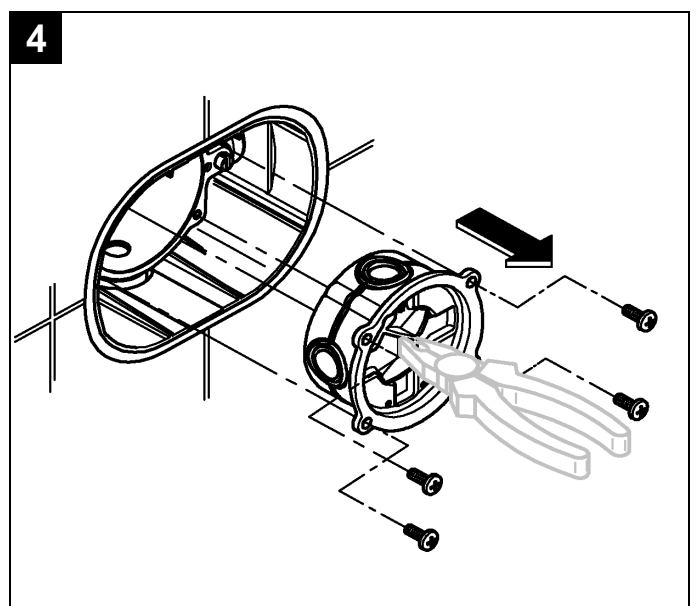
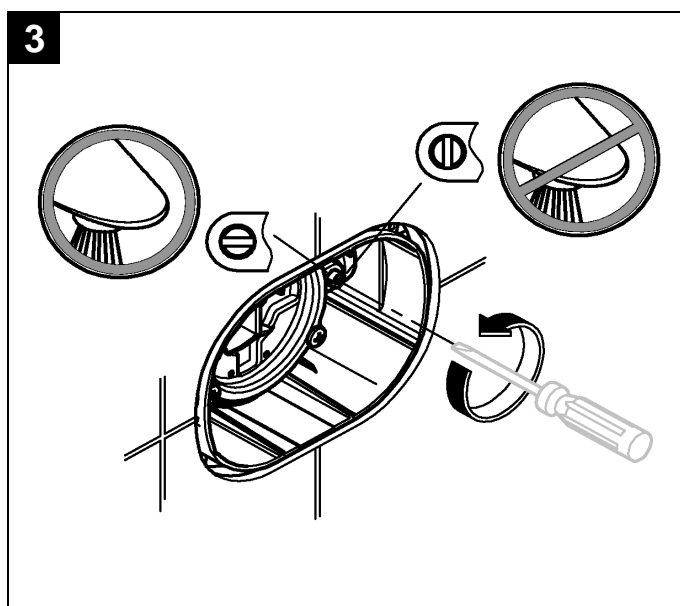
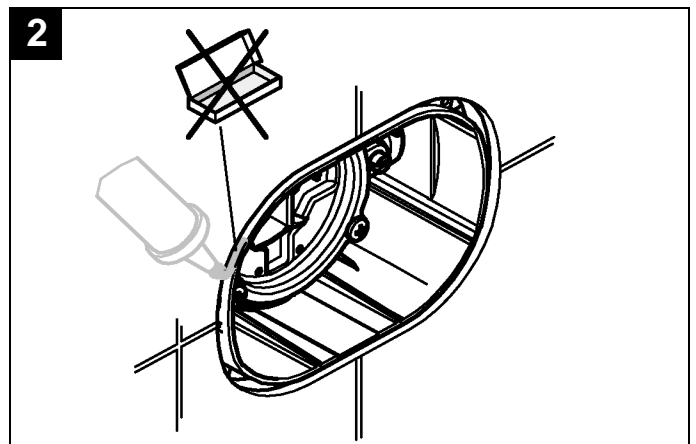
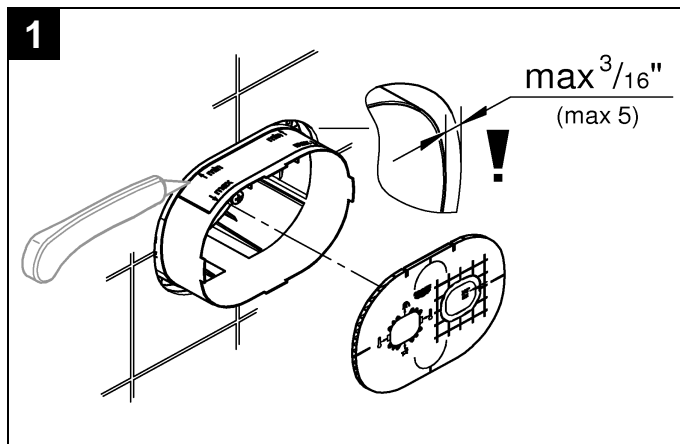
Specification

- Concealed single handle pressure balancing valve for tub and shower
- Integral service stops
- Integral check valves prevent cross flow
- Pressure balanced diaphragm cartridge automatically adjusts to inlet pressure fluctuations
- Cartridge restricts hot water supply if the cold pressure fails, to prevent scalding
- Flow pressure:
 - min 1 bar or 14.5 psi
 - recommended 1-5 bar or 14.5 – 72.5 psi
 If greater than 5 bar or 72.5 psi, fit pressure reducing valve
- Max. operating pressure 8.5 bar or 125 psi
- Max. test pressure 34.5 bar or 500 psi

- Flow rates at 3 bar or 45 psi
 - Type #1 19 843 23 l/min or 6,1 gpm
 - Type #2 19 844 20 l/min or 5,3 gpm
- bottom outlet 11 l/min or 2,9 gpm
- top outlet 11 l/min or 2,9 gpm
- Temperature
 - max. (hot water inlet) 80 °C or 180 °F
- The handle rotation stop may be used to limit the maximum temperature. The maximum temperature will be reached when the handle is turned in a counter-clockwise direction.
- Back-to-back installation is possible by reversing the pressure balancing cartridge.
- Water connection:
 - cold - RH
 - hot - LH

General preparation

1. Cut off the excess blue box material, see fig. [1].
2. Seal the rough-in valve, see fig. [2].
3. Close the integrated service stops, see fig. [3].
4. Remove flush cap, see fig. [4].



English

Installation Type #1 19 843

If **both** rough-in outlets are used, you have to install a spout **with diverter**. If only **the lower** rough-in outlet is used, you have to install a spout **without diverter**.

1. Install control unit and secure with screws, see Fig. [5].
2. Close valve by turning the adapter (A) clockwise until it stops, see Fig. [6].
3. Open the hot and cold integrated service stops.
4. For installation of handle parts, see Fig. [7].
5. While installation observe the right mounting position.

If the pressure balancing valve is installed too deep, the fitting depth can be increased by 25mm or 1" with an extension set, Part No. 47 823, see page II.

Note:

The preset maximum temperature will change if the inlet temperatures change or the setting of the water heater thermostat is altered or if the water inlet temperature is fluctuating.

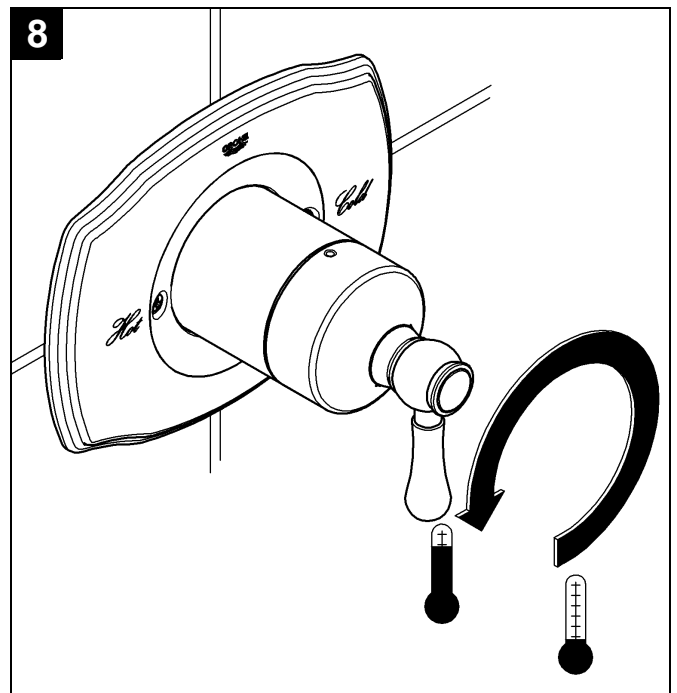
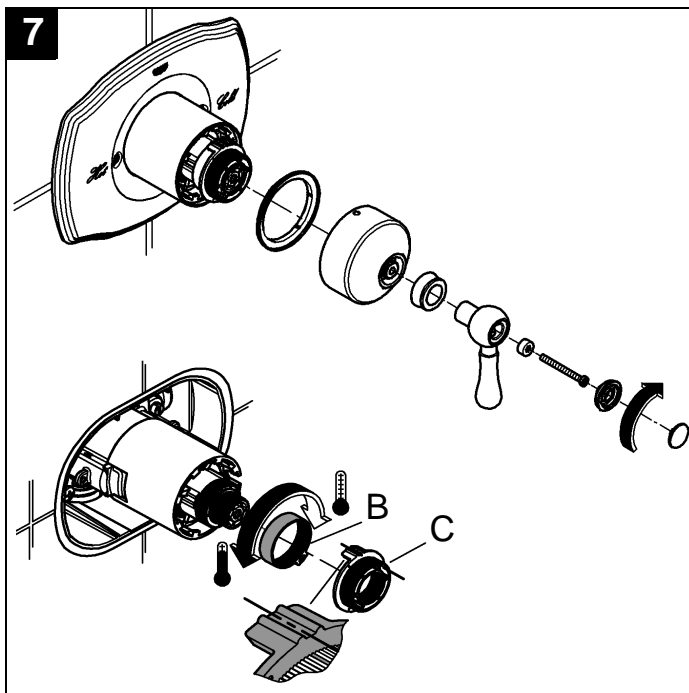
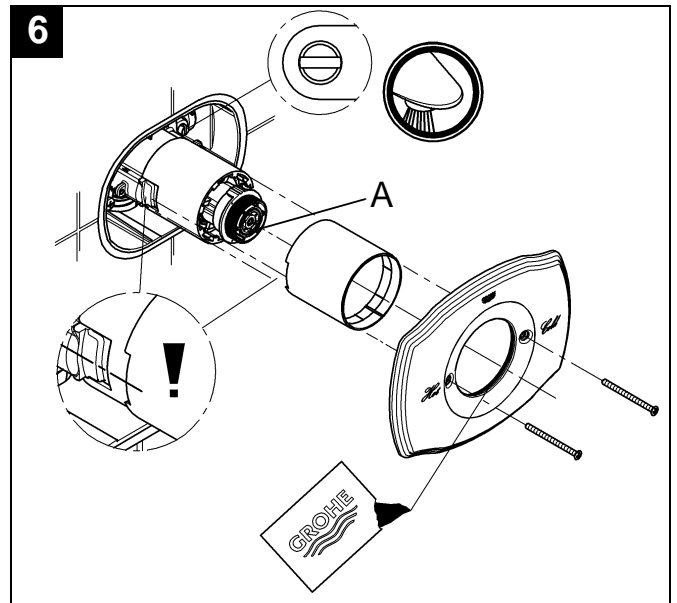
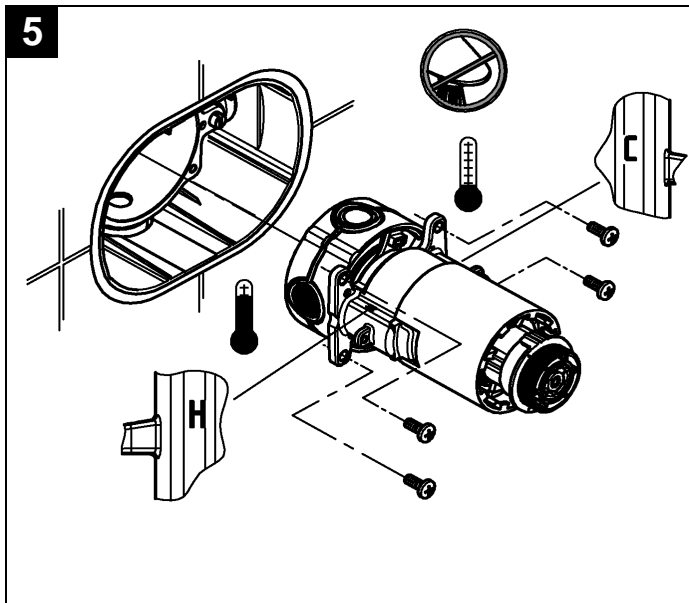
Operation

Turn lever anti-clockwise:

- Open from cold to hot water flow, see Fig. [8].

The adjustable hot water limit stop (B) is factory set at a position to limit maximum outlet temperature to below the hot water supply temperature, see Fig. [7]. For installations where there is need to modify the limit temperature, remove the limit stop (B) and replace in a more clockwise position for colder water, or more counter-clockwise position for hotter water.

Observe the mounting position of stop (C).



English

Installation Type #1 19 843

If **both** rough-in outlets are used, you have to install a spout **with diverter**. If only **the lower** rough-in outlet is used, you have to install a spout **without diverter**.

1. Install control unit and secure with screws, see Fig. [5].
2. Close valve by turning the adapter (A) clockwise until it stops, see Fig. [6].
3. Open the hot and cold integrated service stops.
4. For installation of handle parts, see Fig. [7].
5. While installation observe the right mounting position.

If the **pressure balancing valve is installed too deep**, the fitting depth can be increased by 25mm or 1" with an extension set, Part No. 47 823, see page II.

Note:

The preset maximum temperature will change if the inlet temperatures change or the setting of the water heater thermostat is altered or if the water inlet temperature is fluctuating.

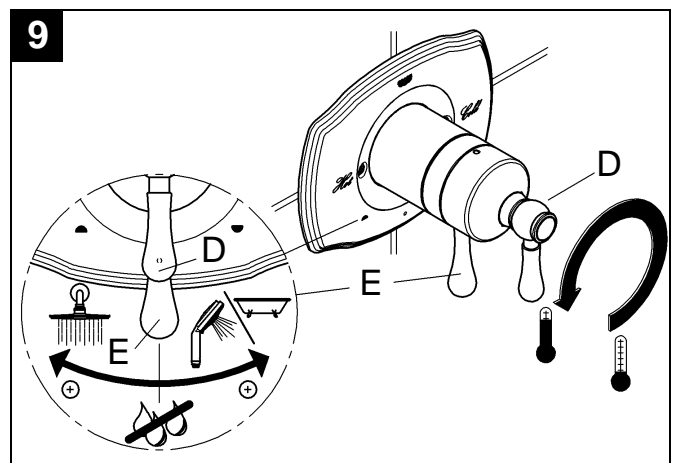
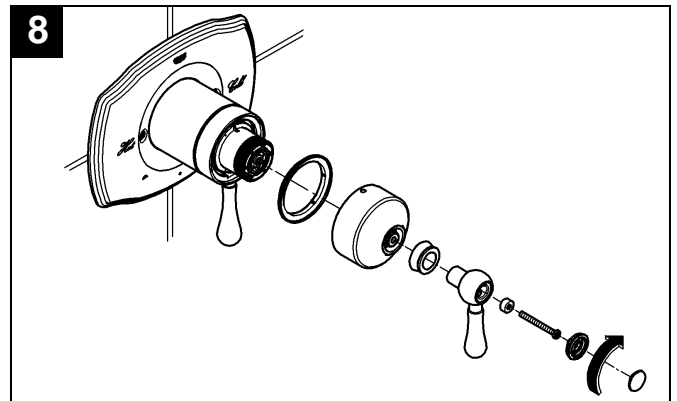
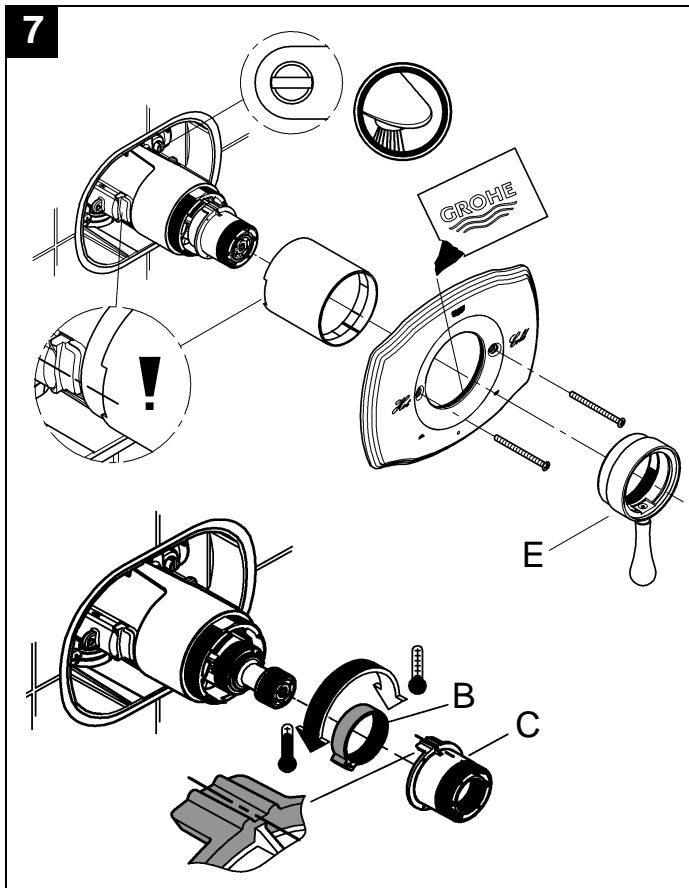
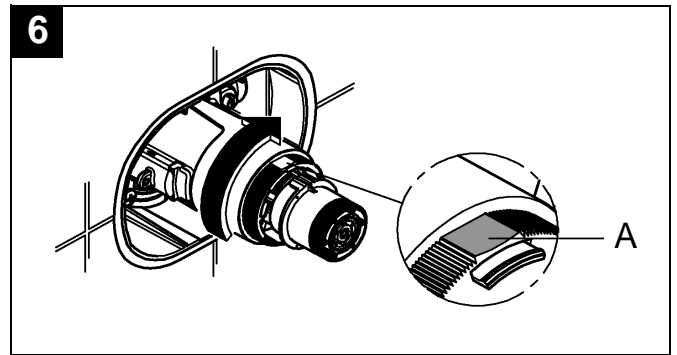
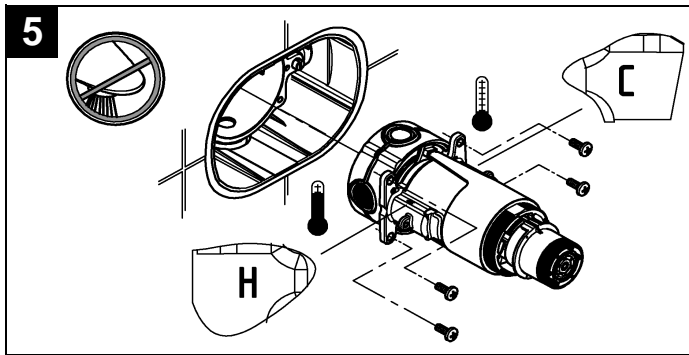
Operation

Turn lever anti-clockwise:

- Open from cold to hot water flow, see Fig. [8].

The adjustable hot water limit stop (B) is factory set at a position to limit maximum outlet temperature to below the hot water supply temperature, see Fig. [7]. For installations where there is need to modify the limit temperature, remove the limit stop (B) and replace in a more clockwise position for colder water, or more counter-clockwise position for hotter water.

Observe the mounting position of stop (C).



English

Winterizing the system

It is recommended that the "pressure balancing cartridge" be removed from the valve body if the system is to be shut off during the winter.

Maintenance

Important note: If the control unit is to be removed from the rough-in for servicing, first close the inlet stops then open the flow control to allow any internal pressure to be released from within the unit.

Inspect and clean all parts, replace if necessary and grease with special valve grease.

Close the integrated service stops!

I. Non return valves, see Fig. [10a] or [10b] and [11].

Install in reverse order.

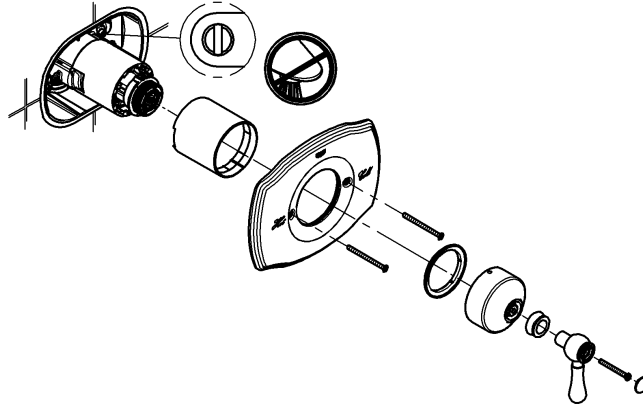
Open the integrated service stops!

Replacement parts, see page II (* = special accessories).

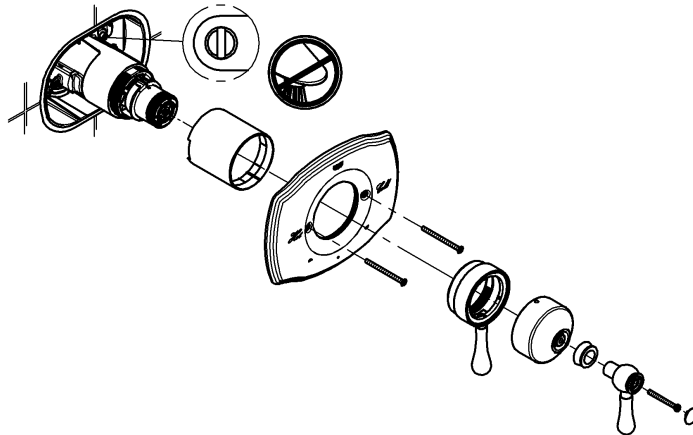
Care

Instructions for care of this faucet will be found in the Limited Warranty supplement.

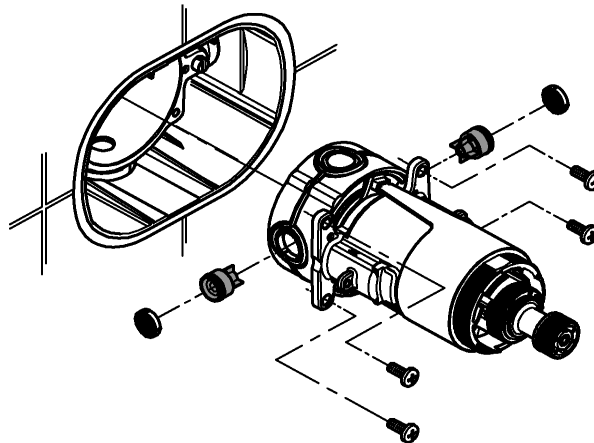
10a Type #1 19 843



10b Type #2 19 844



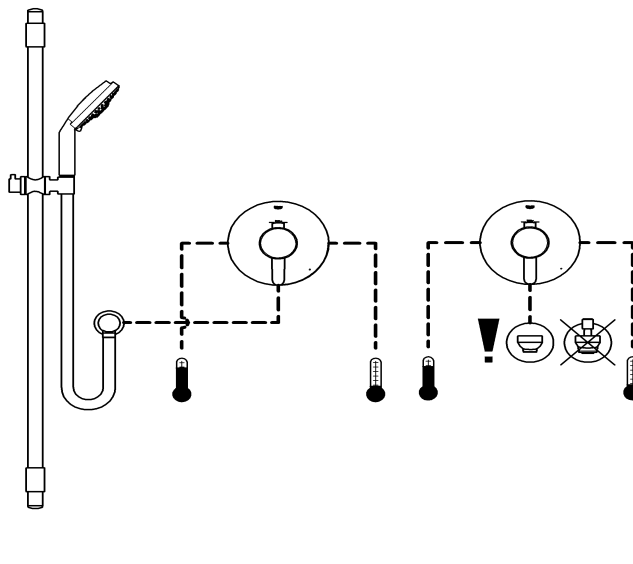
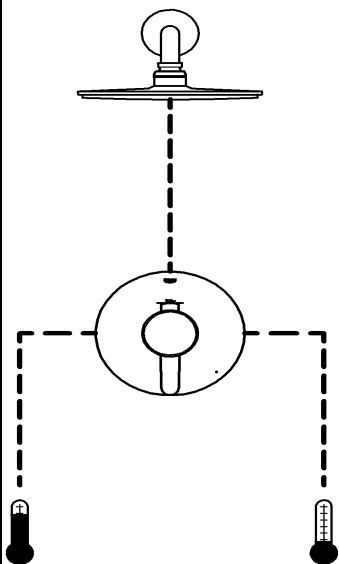
11



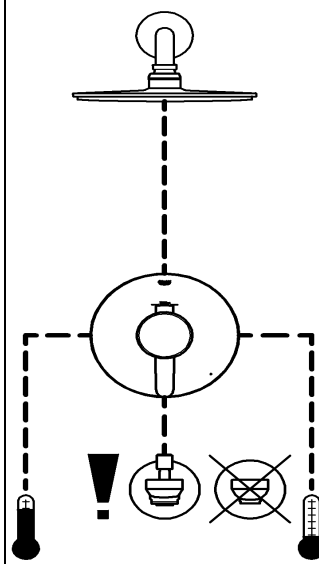
Options d'installation avec divers types d'organes

Équilibreur de pression de type #1 (usage unique)

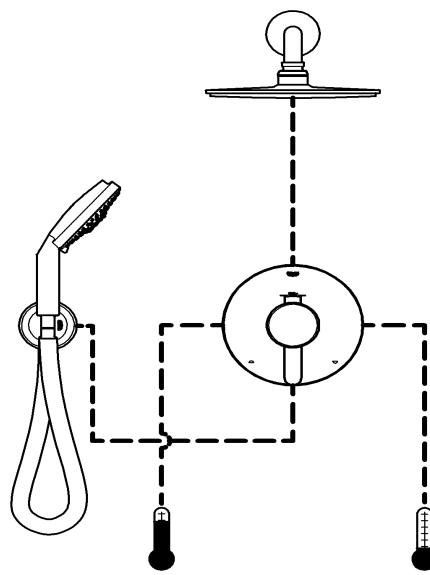
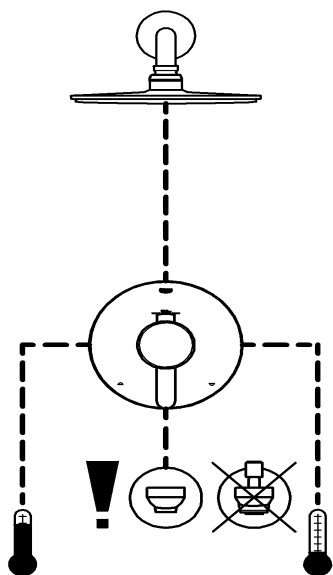
utilisation sans dérivation



avec utilisation d'une dérivation intégrée



Équilibreur de pression de type #2 (inverseur à deux voies)



S.V.P. remettre ces instructions à l'utilisateur final de la robinetterie!

Français

Application générale

Ces équilibreurs de pression sont conçus pour une utilisation avec la robinetterie brute universelle GrohFlex™.

La planification de la tuyauterie est réalisée au moment l'installation provisoire.

2 types d'EDP sont possibles.

Respecter les combinaisons possible, voir page 1.

Caractéristiques techniques

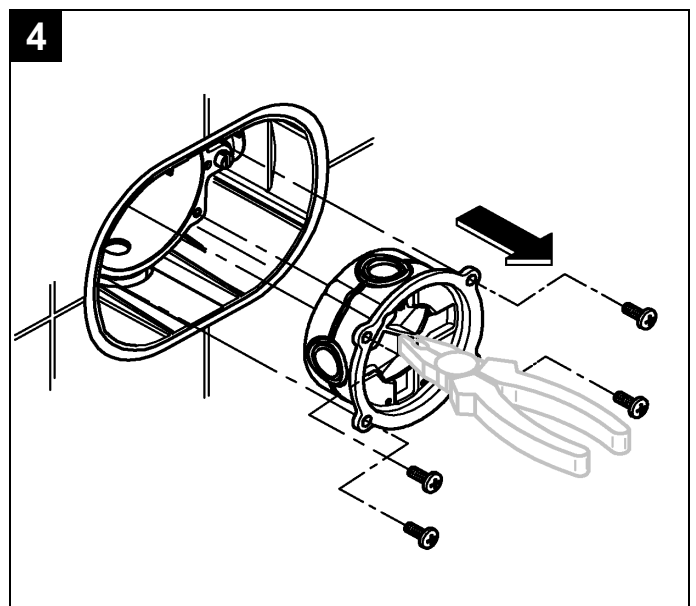
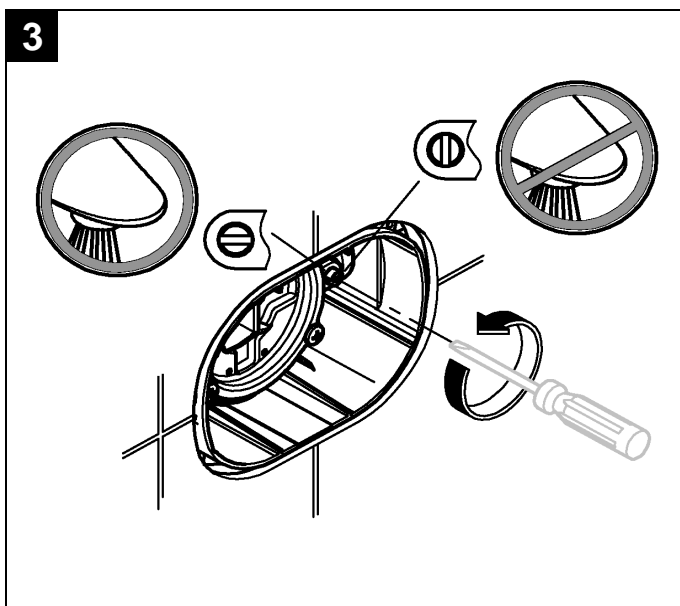
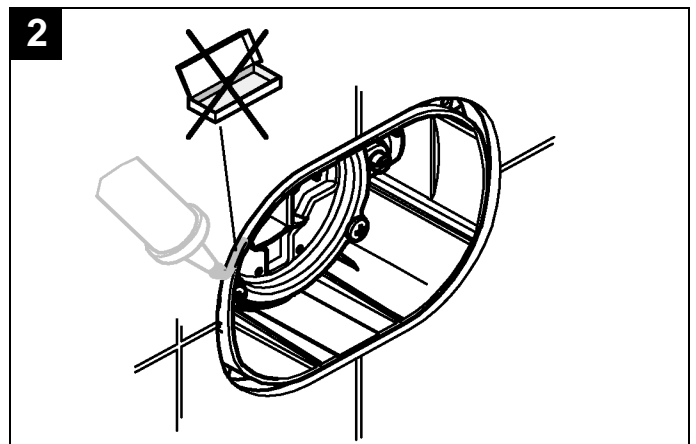
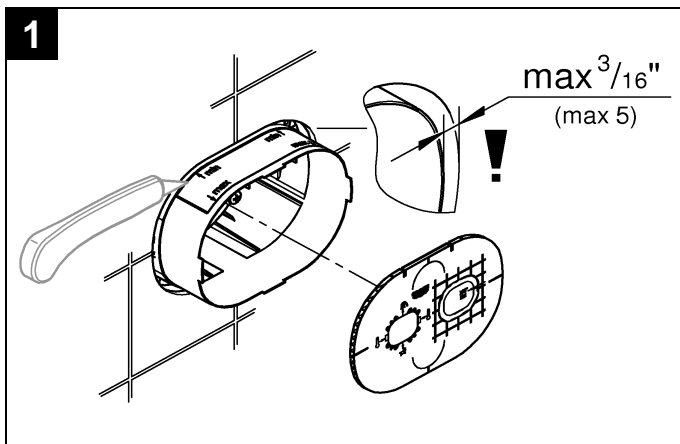
- Robinet encastré de régulation de pression de baignoire et douche à poignée unique.
- Robinet d'arrêt intégral
- Les robinets de contrôle intégraux empêchent les écoulements parasites
- La cartouche à membrane de régulation de pression s'adapte automatiquement aux variations de pression d'entrée
- La cartouche limite la quantité d'eau chaude si la pression d'eau froide est insuffisante, afin d'éviter tout risque de brûlure
- Pression dynamique:
 - min 1 bar ou 14,5 psi
 - recommandée 1-5 bar ou 14,5 – 72,5 psi

Installer un réducteur de pression lorsque la pression est supérieure à 5 bar ou 72,5 psi

- Pression de service maxi 8,5 bar ou 125 psi
- Pression d'épreuve maxi 34,5 bar ou 500 psi
- Débits à une pression de 3 bars ou 45 psi
 - Type #1 19 843 23 l/min ou 6,1 gpm
 - Type #2 19 844
- sortie du bas 20 l/min ou 5,3 gpm
- sortie du haut 11 l/min ou 2,9 gpm
- Température
 - maxi. (entrée d'eau chaude) 80 °C ou 180 °F
 - Il est possible de tourner la poignée pour limiter la température maximale. La température maximale est atteinte lorsque la poignée est tournée dans le sens inverse des aiguilles d'une montre.
- L'installation inversée est possible en inversant la cartouche de régulation de pression.
- Raccord d'eau: froide - à droite
chaude - à gauche

Préparation générale

1. Couper l'excédent du matériel boîte bleue, voir fig. [1].
2. Installer le joint sur la robinetterie brute, voir fig. [2].
3. Fermer les robinets d'arrêt intégrés, voir fig. [3].
4. Enlever le capuchon ras, voir fig. [4].



Français

Installation type #1 19 843

Si les **deux** sorties provisoires sont utilisées, vous devez installer un bec à **inversion**.

Si **seule** la partie inférieure rugueuse en sortie est utilisé, vous devez installer un bec **sans inverseur**.

1. Installer l'unité contrôle et fixer avec des vis, voir fig. [5].
2. Fermer le robinet en tournant l'adaptateur (A) à fond dans le sens des aiguilles d'une montre, voir fig. [6].
3. Ouvrir les robinets d'arrêt chaud et froid intégré.
4. Installation des pièces de la poignée, voir fig. [7].
5. Pendant l'installation, respecter la bonne position de montage.

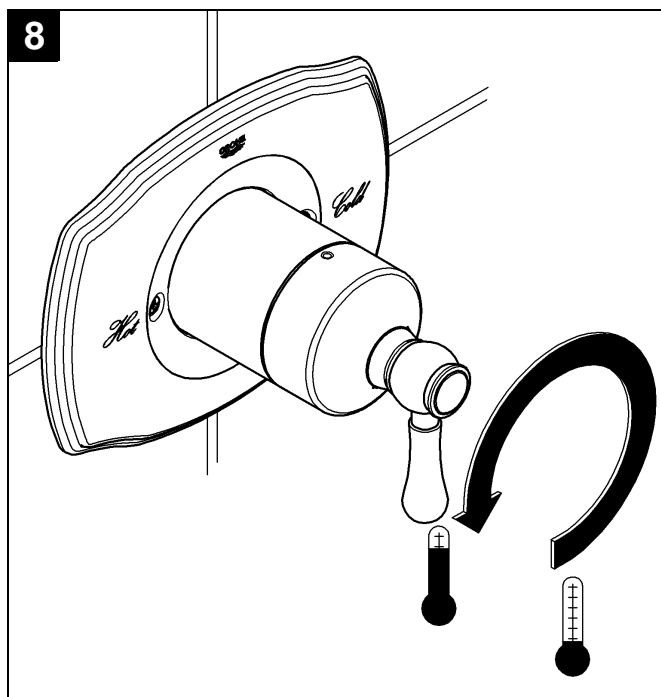
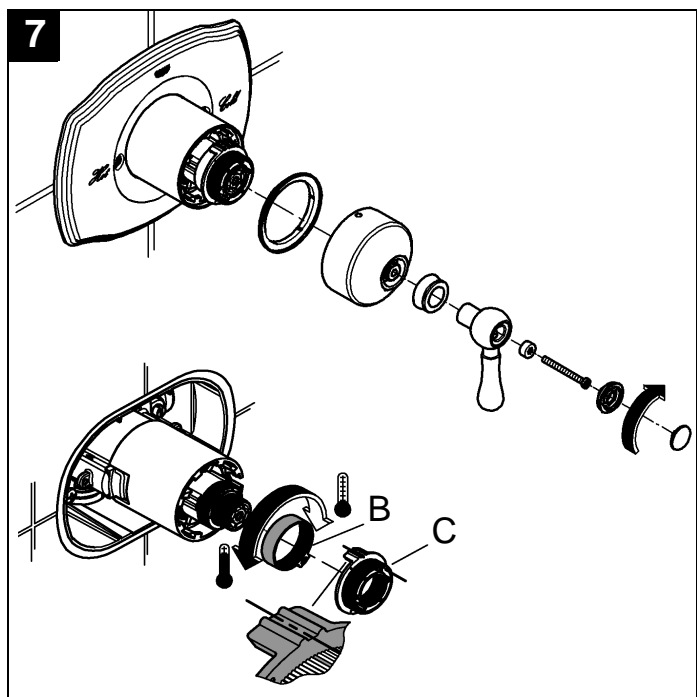
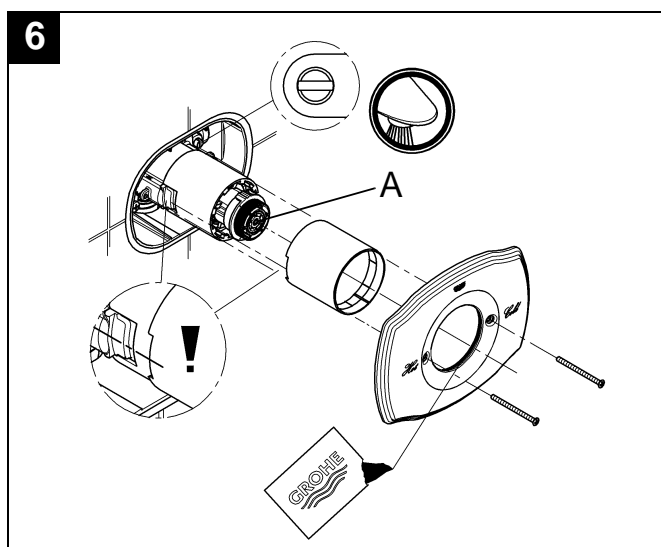
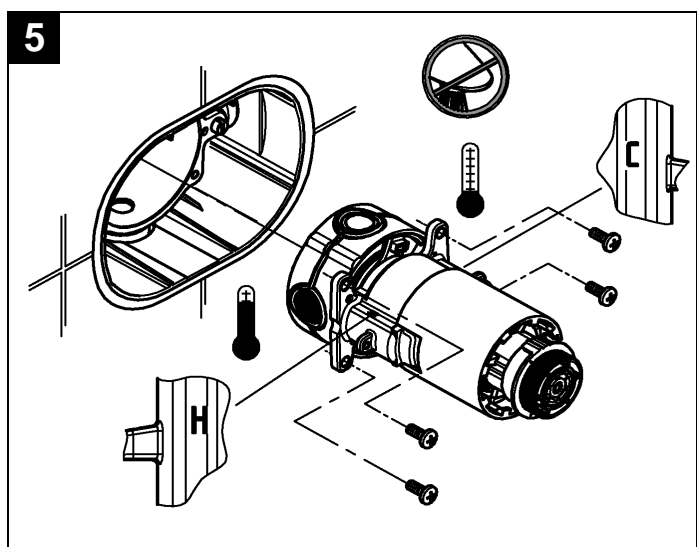
Si l'équilibreur de pression est installé trop profondément, la profondeur de montage peut être accrue de 25mm ou or 1" avec un kit de prolongation, réf. 47 823, voir page II.

Remarque:

La température maximale préréglée change si les températures d'entrée changent, si le réglage du thermostat du chauffe-eau est modifié ou si la température d'entrée d'eau fluctue.

Fonctionnement

Tourner le levier dans le sens inverse des aiguilles d'une montre:
- Ouvrir de l'écoulement d'eau froide vers le chaud, voir fig. [8].
La butée réglable d'eau chaude (B) est réglée en usine sur une position permettant de limiter la température maximale de sortie à une valeur inférieure à celle de la température d'alimentation en eau chaude, voir fig. [7]. Pour les installations où il est nécessaire de modifier la limite de température, dévisser la butée (B) et la remettre en place en la tournant un peu plus dans le sens des aiguilles d'une montre pour une température plus froide, ou plus dans le sens inverse des aiguilles d'une montre pour une eau plus chaude. Respecter la position de montage de la butée (C).



Français

Installation type #2 19 844

1. Installer l'unité contrôle et fixer avec des vis, voir fig. [5].
2. Fermer l'écoulement d'eau en tournant l'arcade. Le repère (A) doit se trouver en haut, un clic est perceptible/audible dans l'arcade, voir fig. [6].
3. Ouvrir les robinets d'arrêt chaud et froid intégrés, voir fig. [7].
4. Pendant l'installation, respecter la bonne position de montage.
5. Installation des pièces de la poignée, voir fig. [7] et [8].

Si l'équilibreur de pression est installé trop profondément, la profondeur de montage peut être accrue de 25mm ou 1" avec un kit de prolongation, réf. 47 823, voir page II.

Remarque : La température maximale pré réglée change si les températures d'entrée changent, si le réglage du thermostat du chauffe-eau est modifié ou si la température d'entrée d'eau fluctue.

Fonctionnement, voir fig. [9].

Tourner le levier (D) dans le sens inverse des aiguilles d'une montre:

- Sélection de l'écoulement d'eau froide vers le chaud.

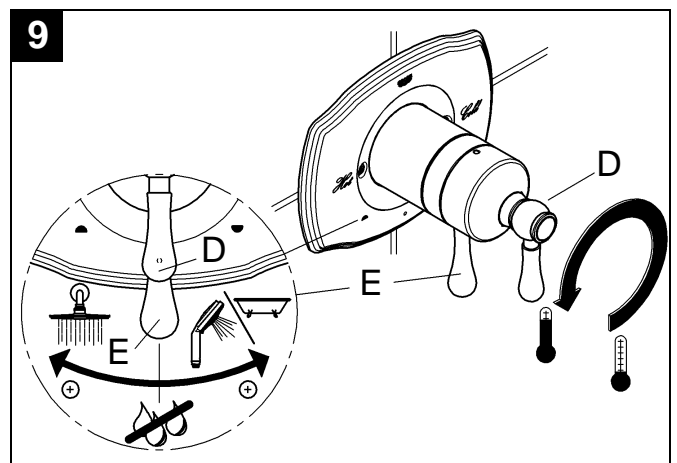
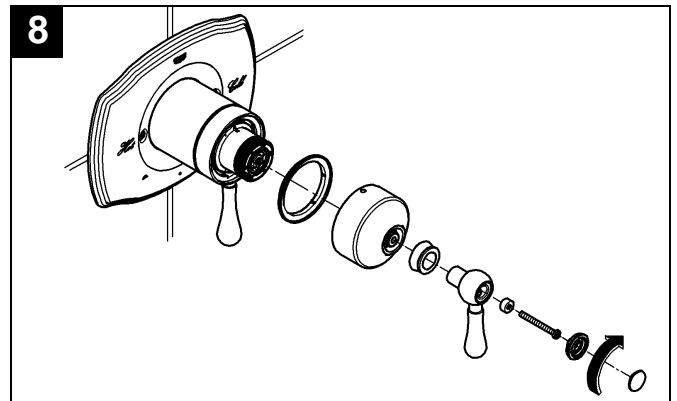
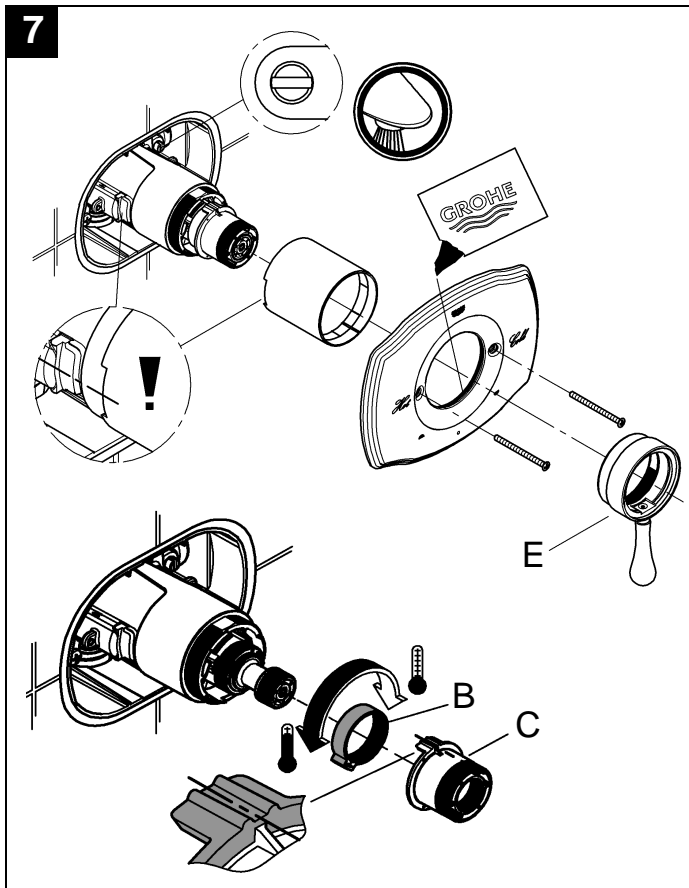
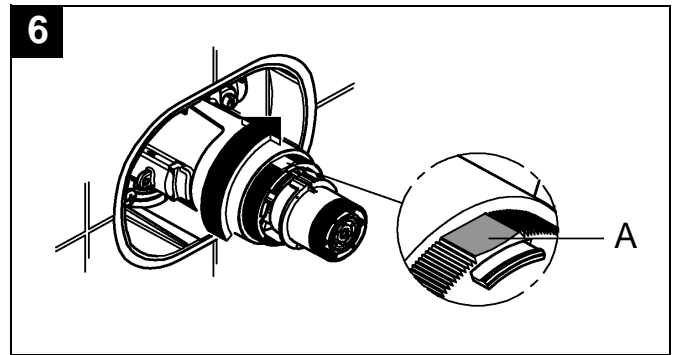
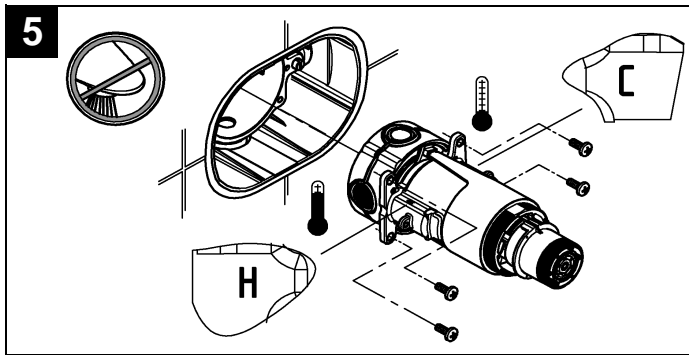
Tourner le levier (E) vers la gauche ou la droite:

Ouvrir la sortie d'eau lors de la préparation de l'installation de la tuyauterie.

- ouvrir vers la gauche pour la sortie haute

- ouvrir vers la droite pour la sortie basse

La butée réglable d'eau chaude (B) est réglée en usine sur une position permettant de limiter la température maximale de sortie à une valeur inférieure à celle de la température d'alimentation en eau chaude, voir fig. [7]. Pour les installations où il est nécessaire de modifier la limite de température, dévisser la butée (B) et la remettre en place en la tournant un peu plus dans le sens des aiguilles d'une montre pour une température plus froide, ou plus dans le sens inverse des aiguilles d'une montre pour une eau plus chaude. Respecter la position de montage de la butée (C).



Français

Préparation de l'installation pour l'hivernage

Il est conseillé de déposer la « **cartouche de réduction de pression** » du moulage du robinet si l'installation doit être fermée pendant l'hiver.

Maintenance

Remarque importante: Si l'unité de commande doit être déposée de l'installation provisoire pour maintenance, fermer d'abord les butées d'entrée, puis ouvrir le régulateur de débit pour permettre l'évacuation de la pression interne de l'intérieur de l'unité.

Inspecter et nettoyer toutes les pièces, les remplacer si nécessaire et les graisser avec une graisse pour robinetterie.

Fermer les robinets d'arrêt intégrés!

I. Clapets anti-retour, voir fig. [10a] ou [10b] et [11].

L'installation s'effectue dans l'ordre inverse.

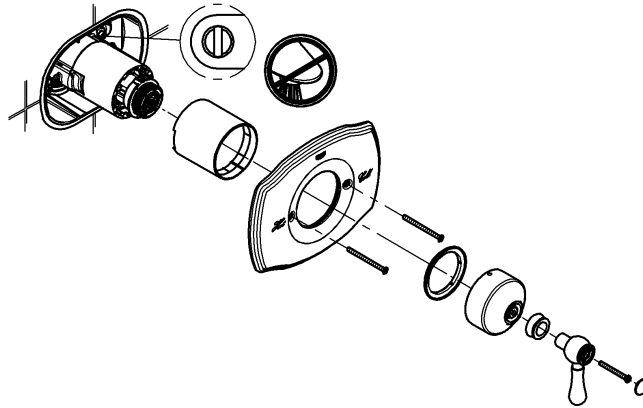
Ouvrir les robinets d'arrêt intégrés!

Pièces de rechange, voir page II (* = accessoires spéciaux).

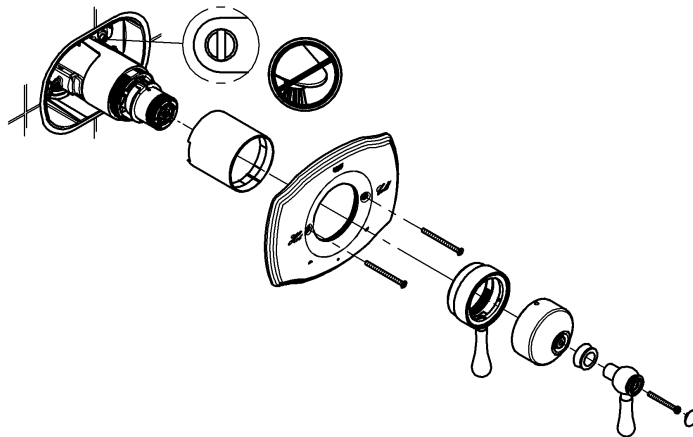
Entretien

Les instructions d'entretien de ce robinet sont indiquées dans le supplément de garantie limitée.

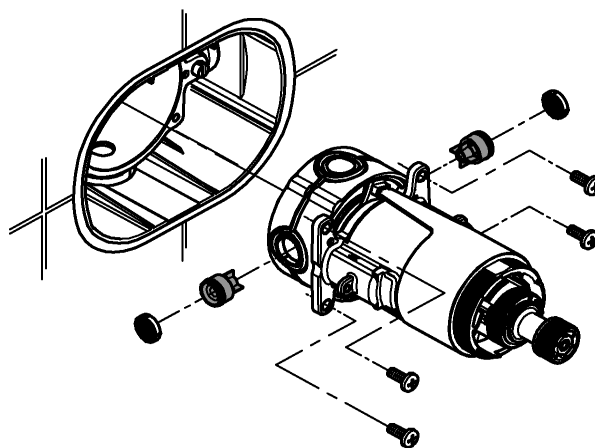
10a Type #1 19 843



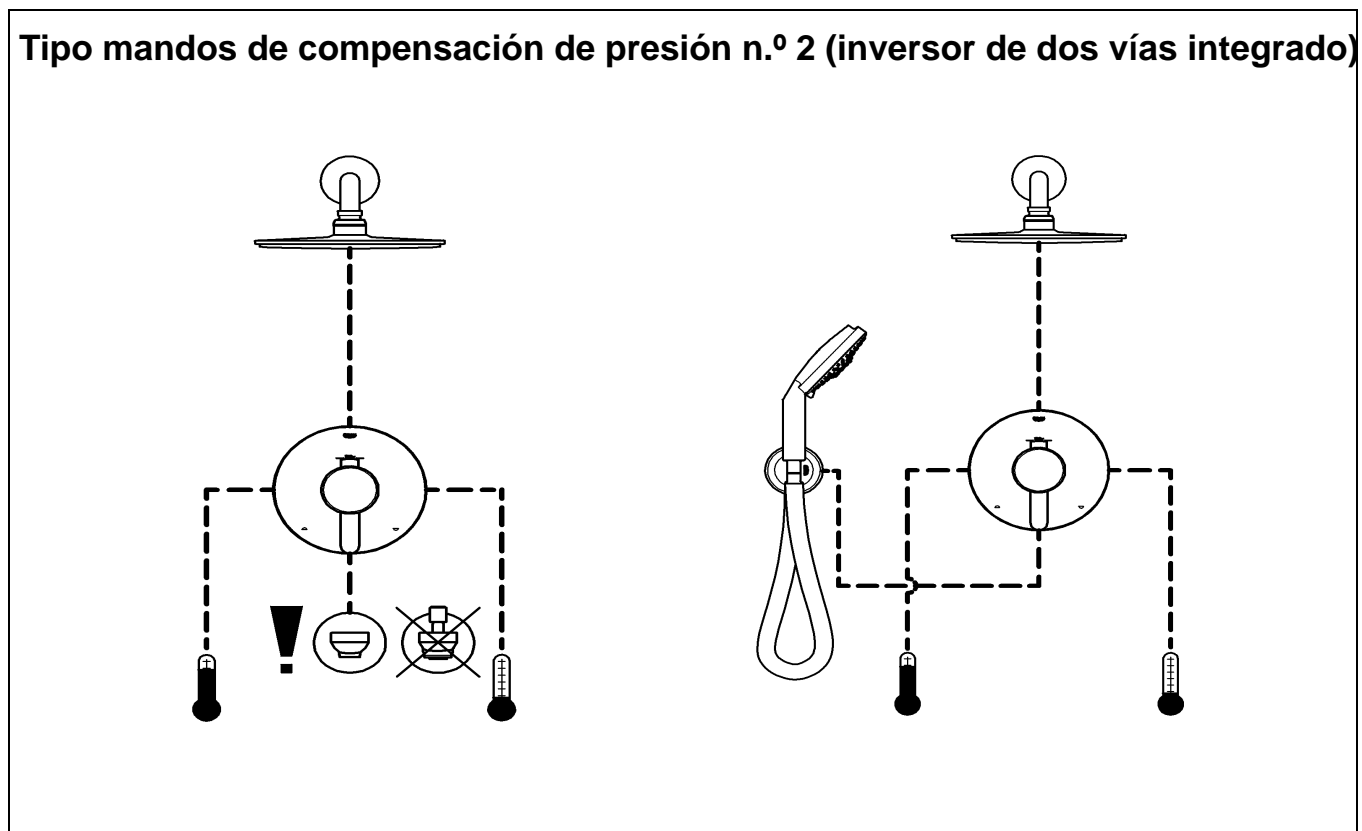
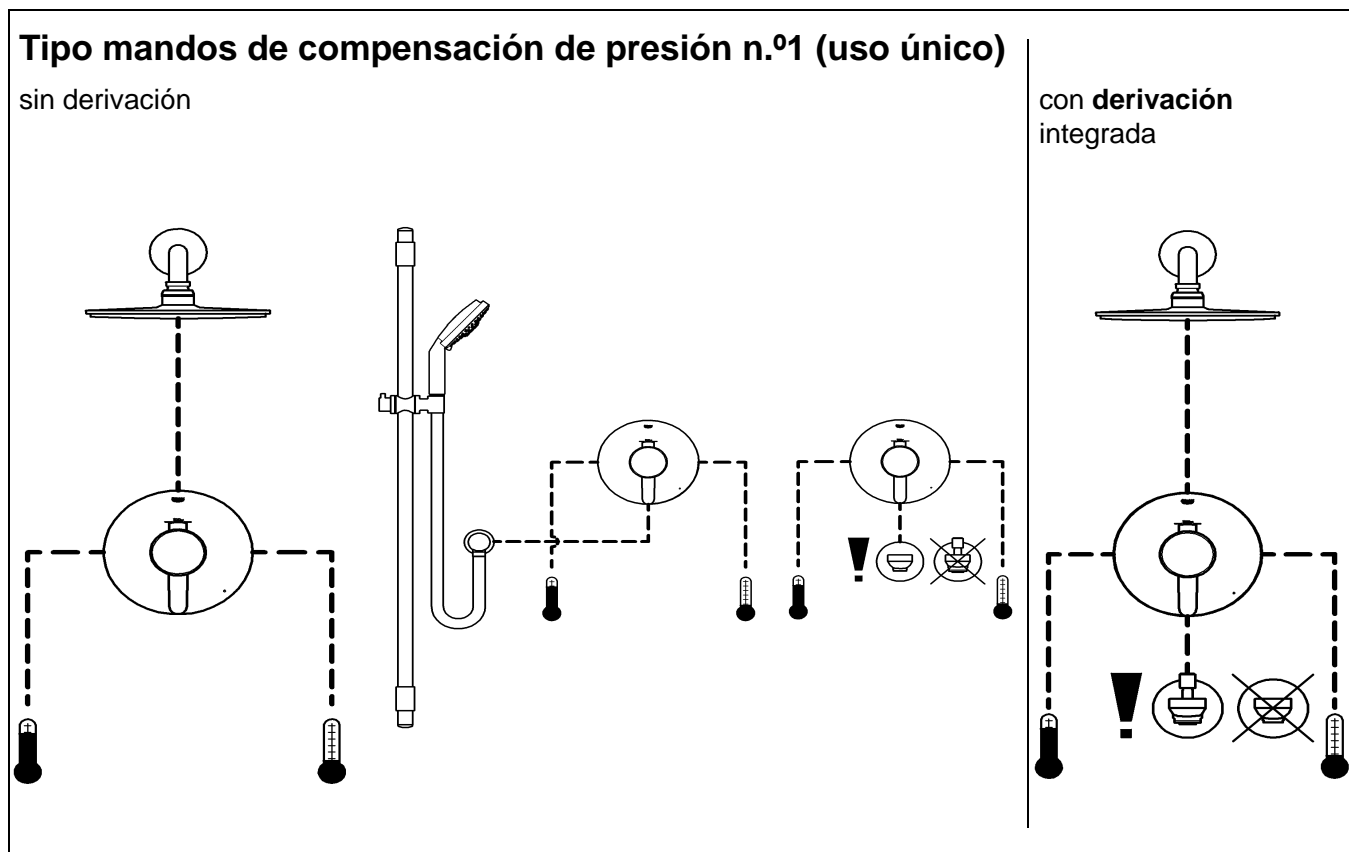
10b Type #2 19 844



11



Opciones de instalación con distintos tipos de montajes



Proporcione estas instrucciones al usuario final del montaje.

Español

Campo de aplicación general

Estos mandos de compensación de presión deben utilizarse con la válvula oculta GrohFlex™ universal.

La planificación de las tuberías se efectúa con la instalación inicial.

Se admiten 2 tipos distintos de mandos de compensación de presión.

Observe las posibles combinaciones en la página 1.

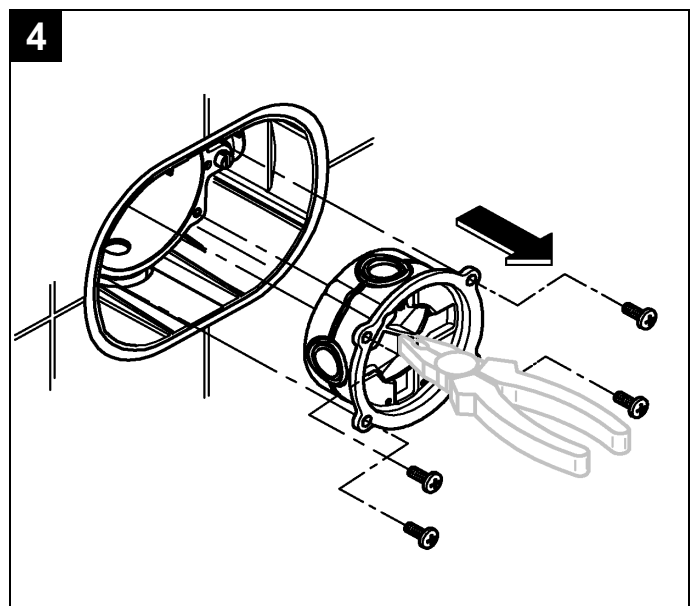
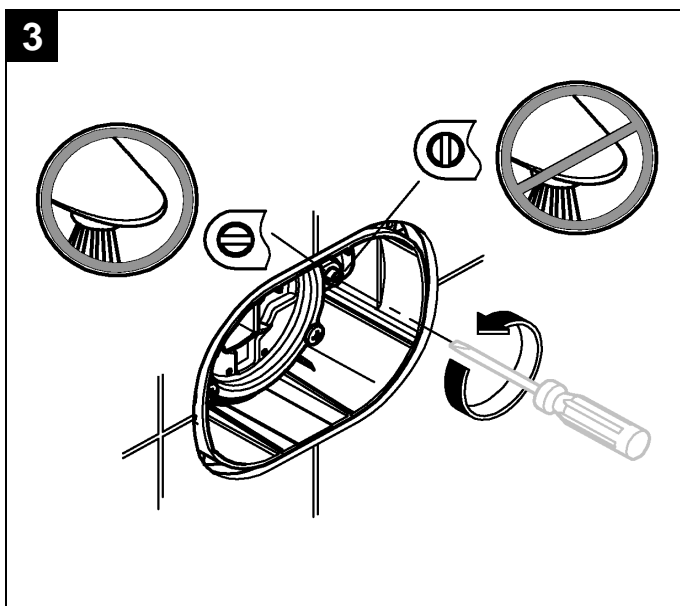
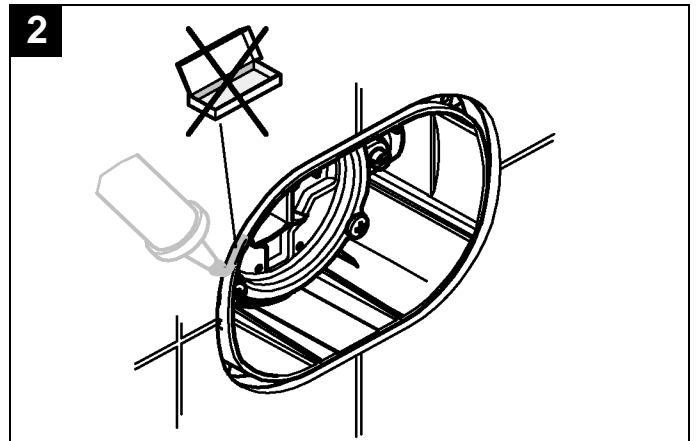
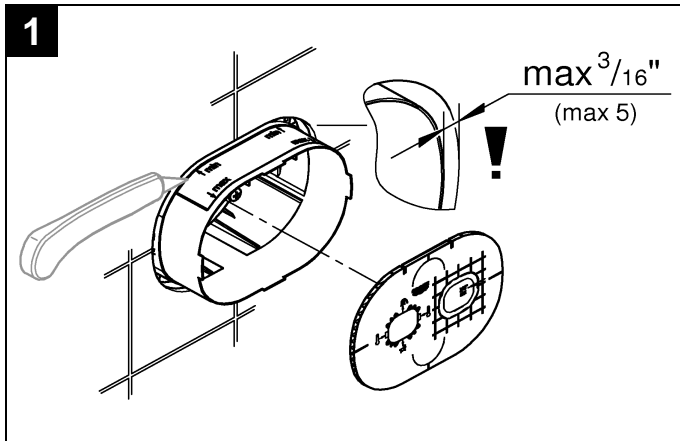
Especificaciones

- Válvula de compensación de presión monomando oculta para bañera y ducha
- Topes de paso integrados
- Válvulas de cierre integradas para prevenir el caudal transversal
- El cartucho de membrana regulado por presión se ajusta automáticamente a las fluctuaciones de presión de entrada
- El cartucho restringe el suministro de agua caliente si cae la presión del agua fría para evitar escaldaduras
- Presión de trabajo:
 - mín. 1 bar o 14,5 psi
 - recomendado 1-5 bares o 14,5 – 72,5 psisuperior a 5 bar ou 72,5 psi, instalar una válvula reductora de presión

- Presión de utilización máx. 8,5 bares o 125 psi
- Presión de verificación máx. 34,5 bares o 500 psi
- Caudal a 3 bares o 45 psi
 - Tipo n.º 1 19 843 23 l/min o 6,1 gpm
 - Tipo n.º 2 19 844
 - salida inferior 20 l/min o 5,3 gpm
 - salida superior 11 l/min o 2,9 gpm
- Temperatura
 - máx. (entrada de agua caliente) 80 °C o 180 °F
 - Para limitar la temperatura máxima, se puede girar el mando. La temperatura máxima se alcanza cuando el mando se gira en sentido contrario a las agujas del reloj.
- Es posible la instalación adosada invirtiendo el cartucho de regulación de presión.
- Acometida del agua: fría - derecha
caliente - izquierda

Preparación general

1. Corte del material de exceso de caja azul; véase la fig. [1].
2. Selle la válvula oculta; véase la fig. [2].
3. Cierre los topes de paso integrados; véase la fig. [3].
4. Quite la tapa al ras; véase la fig. [4].



Instalación tipo n.º 1 19 843

Si se utilizan **ambas** salidas ocultas, se deberá instalar un caño **de inversión**. Si **sólo** la parte inferior rugosa en la salida se utiliza, tiene que instalar un caño **sin inversor**.

1. Instale unidad de control y fíjela con tornillos; véase la fig. [5].
2. Cierre la válvula girando el adaptador (A) en el sentido de las agujas del reloj hasta que se detenga; véase la fig. [6].
3. Abra los topes de paso integrados para agua caliente y fría.
4. Instale las piezas independientes de la empuñadura; véase la fig. [7].
5. Durante la instalación, observe la posición de montaje correcta.

Si el mando de compensación de presión se instala a demasiada profundidad, la profundidad de montaje puede aumentarse en 25mm o 1" con un juego de prolongación (n.º de producto 47 823); véase la página II.

Nota:

La temperatura máxima preconfigurada cambiará si las temperaturas de entrada varían, si la configuración del termostato del calentador de agua se modifica o si la temperatura de entrada de agua fluctúa.

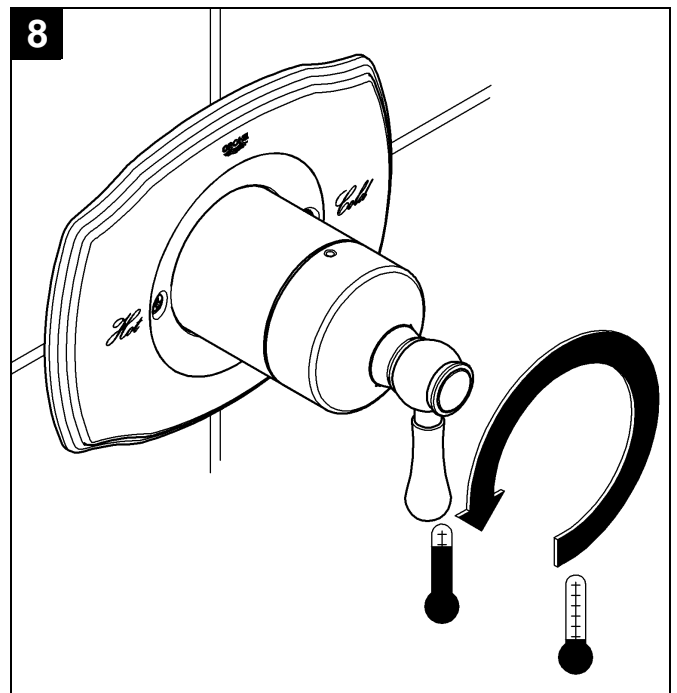
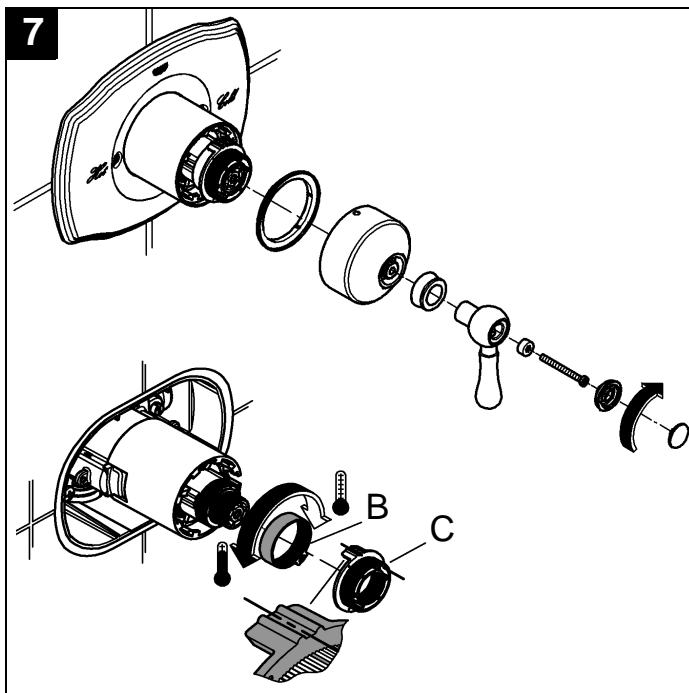
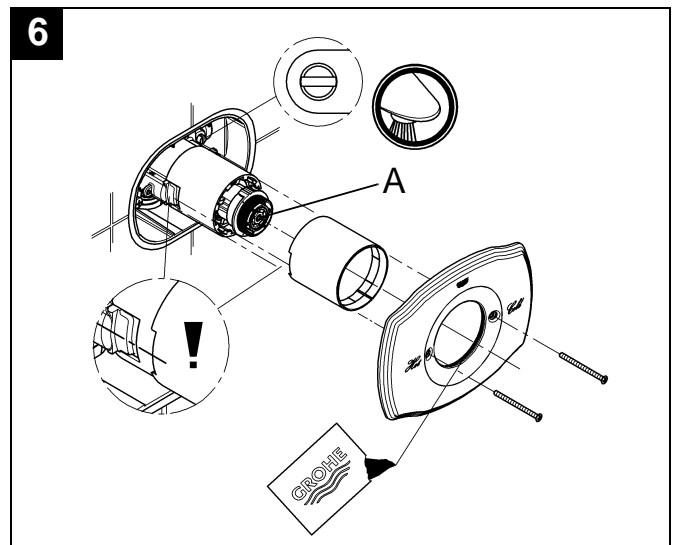
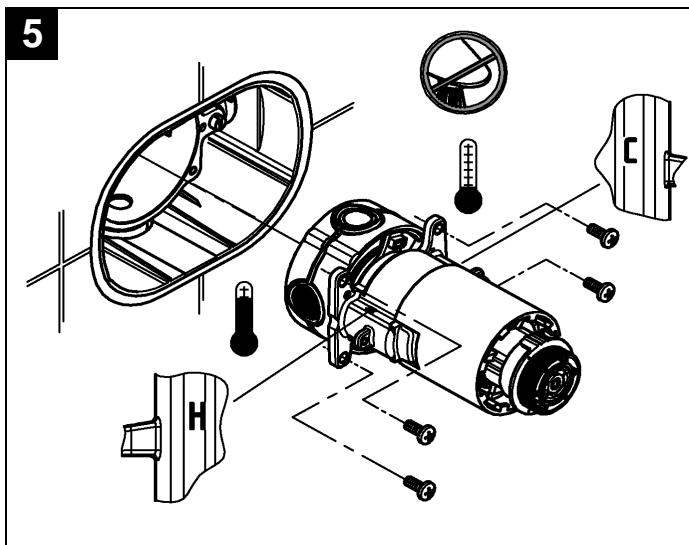
Funcionamiento

Gire la palanca en el sentido contrario de las agujas del reloj:

- Abra la salida de agua de fría a caliente; véase la fig. [8].

El limitador ajustable de tope de agua caliente (B) está configurado de fábrica en una posición a fin de limitar la máxima temperatura de salida por debajo de la temperatura de la alimentación de agua caliente; véase la fig. [7]. En aquellas instalaciones en las que sea necesario modificar la temperatura límite, retire el limitador de tope (B) y vuelva a colocarlo en una posición desplazada en el sentido de las agujas del reloj para el agua fría, o en el sentido contrario al de las agujas del reloj para el agua caliente.

Observe la posición de montaje del tope (C).



Instalación tipo n.º 2 19 844

1. Instale unidad de control y fíjela con tornillos; véase la fig. [5].
2. Gire la horquilla para cerrar el flujo de agua. La marca (A) debe estar en la parte superior. Escuchará/notará un "clic" en la horquilla; véase la fig. [6].
3. Abra los topes de paso integrados para agua caliente y fría; véase la fig. [7].
4. Durante la instalación, observe la posición de montaje correcta.
5. Tras el ajuste, instale las piezas independientes de la empuñadura; véanse las figs. [7] y [8].

Si el mando de compensación de presión se instala a demasiada profundidad, la profundidad de montaje puede aumentarse en 25mm ou 1" con un juego de prolongación (n.º de producto 47 823); véase la página II.

Nota: La temperatura máxima preconfigurada cambiará si las temperaturas de entrada varían, si la configuración del termostato del calentador de agua se modifica o si la

temperatura de entrada de agua fluctúa.

Funcionamiento; véase la fig. [9].

Gire la palanca (D) en el sentido contrario de las agujas del reloj:

- Selecto la salida de agua de fría a caliente.

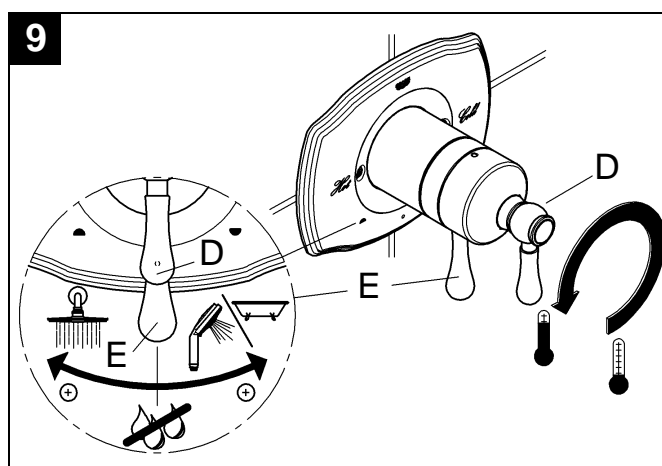
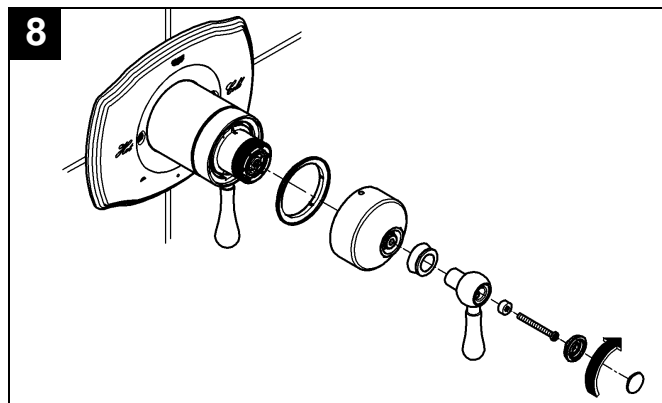
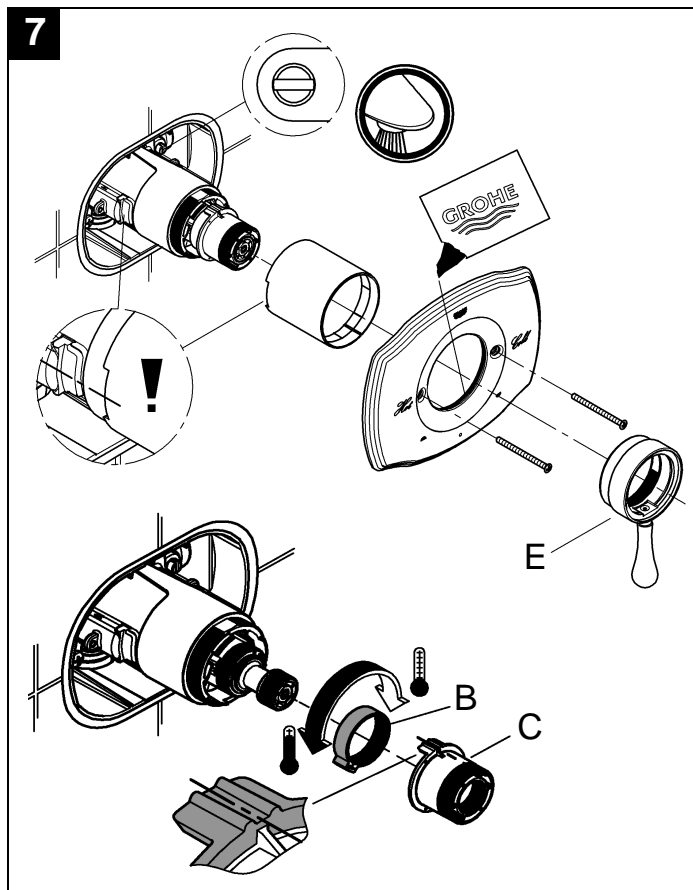
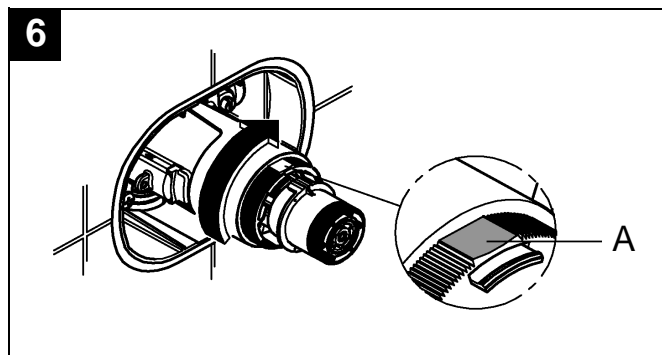
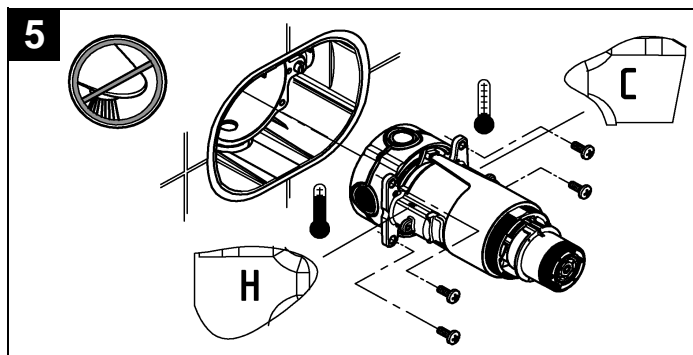
Gire la palanca (E) a la izquierda o a la derecha:

Abra la salida de agua cuando la instalación de la tubería esté lista.

- apertura izquierda a salida superior

- apertura derecha a salida inferior

El limitador ajustable de tope de agua caliente (B) está configurado de fábrica en una posición a fin de limitar la máxima temperatura de salida por debajo de la temperatura de la alimentación de agua caliente; véase la fig. [7]. En aquellas instalaciones en las que sea necesario modificar la temperatura límite, retire el limitador de tope (B) y vuelva a colocarlo en una posición desplazada en el sentido de las agujas del reloj para el agua fría, o en el sentido contrario al de las agujas del reloj para el agua caliente. Observe la posición de montaje del tope (C).



Español

Protección del sistema frente al invierno

Se recomienda extraer el "cartucho de regulación de presión" de la válvula de fundición si el sistema debe apagarse durante el invierno.

Mantenimiento

Importante: Si la unidad de control ha de retirarse de la instalación inicial para el mantenimiento, cierre primero los topes de admisión y abra seguidamente el regulador de caudal para permitir que se alivie cualquier presión interna desde el interior de la unidad.

Inspeccione y limpie todos los componentes, sustituya los que sean necesarios y lubrique con grasa especial para grifería.

Cierre los topes de paso integrados.

I. Válvulas antirretorno; véanse las figs. [10a] o [10b] y [11]. Instale en el orden inverso.

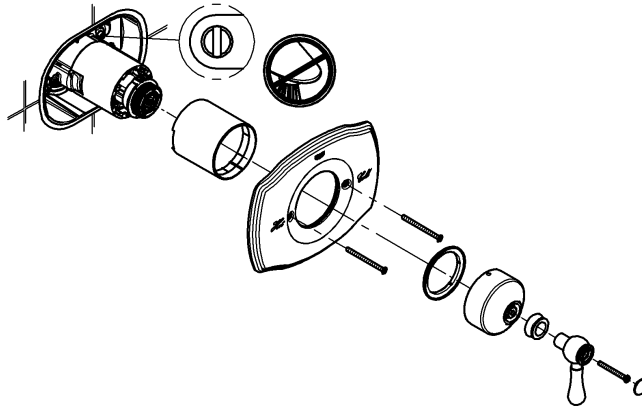
Abra los topes de paso integrados.

Piezas de recambio; véase la página II (* = accesorios especiales).

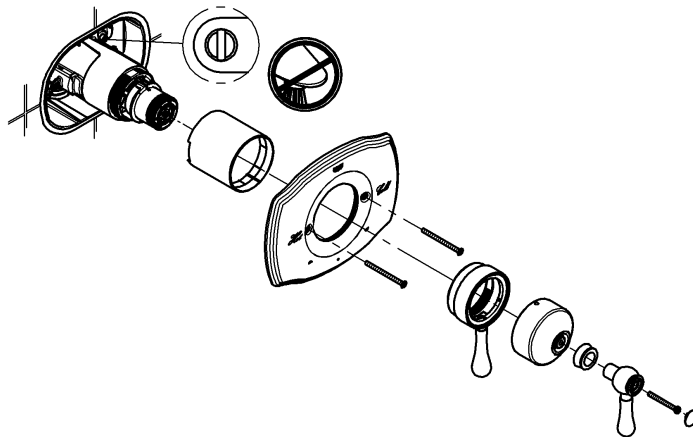
Cuidados

Las instrucciones de conservación de esta grifería se encuentran en el anexo de la garantía.

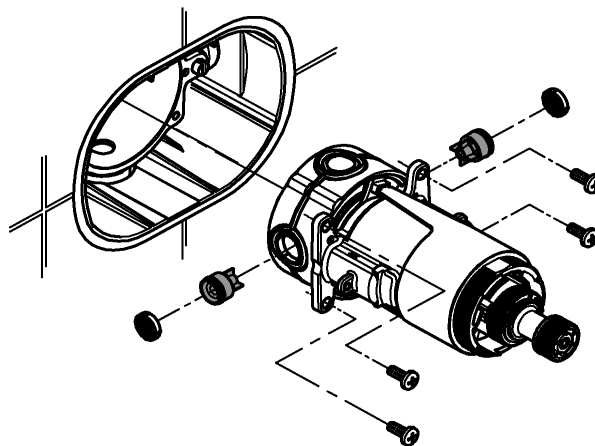
10a Tipo n.º 1 19 843



10b Tipo n.º 2 19 844



11



Pure Freude an Wasser

GROHE


D
☎ +49 571 3989 333
impressum@grohe.de

A
☎ +43 1 68060
info-at@grohe.com

AUS
Argent Sydney
☎ +(02) 8394 5800
Argent Melbourne
☎ +(03) 9682 1231

B
☎ +32 16 230660
info.be@grohe.com

BG
☎ +359 2 9719959
grohe-bulgaria@grohe.com

CAU
☎ +99 412 497 09 74
info-az@grohe.com

CDN
☎ +1 888 6447643
info@grohe.ca

CH
☎ +41 448777300
info@grohe.ch

CN
☎ +86 21 63758878

CY
☎ +357 22 465200
info@grome.com

CZ
☎ +420 277 004 190
grohe-cz@grohe.com

DK
☎ +45 44 656800
grohe@grohe.dk

E
☎ +34 93 3368850
grohe@grohe.es

EST
☎ +372 6616354
grohe@grohe.ee

F
☎ +33 1 49972900
marketing-fr@grohe.com

FIN
☎ +358 10 8201100
teknocalor@teknocalor.fi

GB
☎ +44 871 200 3414
info-uk@grohe.com

GR
☎ +30 210 2712908
nsapountzis@ath.forthnet.gr

H
☎ +36 1 2388045
info-hu@grohe.com

HK
☎ +852 2969 7067
info@grohe.hk

I
☎ +39 2 959401
info-it@grohe.com

IND
☎ +91 124 4933000
customercare.in@grohe.com

IS
☎ +354 515 4000
jonst@byko.is

J
☎ +81 3 32989730
info@grohe.co.jp

KZ
☎ +7 727 311 07 39
info-cac@grohe.com

LT
☎ +372 6616354
grohe@grohe.ee

LV
☎ +372 6616354
grohe@grohe.ee

MAL
☎ +1 800 80 6570
info-singapore@grohe.com

N
☎ +47 22 072070
grohe@grohe.no

NL
☎ +31 79 3680133
vragen-nl@grohe.com

NZ
☎ +09/373 4324

P
☎ +351 234 529620
commercial-pt@grohe.com

PL
☎ +48 22 5432640
biuro@grohe.com.pl

RI
☎ +62 21 2358 4751
info-singapore@grohe.com

RO
☎ +40 21 2125050
info-ro@grohe.com

ROK
☎ +82 2 559 0790
info-singapore@grohe.com

RP
☎ +63 2 8041617

RUS
☎ +7 495 9819510
info@grohe.ru

S
☎ +46 771 141314
grohe@grohe.se

SGP
☎ +65 6 7385585
info-singapore@grohe.com

SK
☎ +420 277 004 190
grohe-cz@grohe.com

T
☎ +66 2610 3685
info-singapore@grohe.com

TR
☎ +90 216 441 23 70
GroheTurkey@grome.com

UA
☎ +38 44 5375273
info-ua@grohe.com

USA
☎ +1 800 4447643
us-customerservice@grohe.com

VN
☎ +84 8 5413 6840
info-singapore@grohe.com

AL **BiH** **HR** **KS**
ME **MK** **SLO** **SRB**
☎ +385 1 2911470
adria-hr@grohe.com

**Eastern Mediterranean,
Middle East - Africa
Area Sales Office:**
☎ +357 22 465200
info@grome.com

IR **OM** **UAE** **YEM**
☎ +971 4 3318070
grohedubai@grome.com

Far East Area Sales Office:
☎ +65 6311 3600
info@grohe.com.sg



WATER TECHNOLOGY

28 627

28 672

