

19 169 Thermostat trim



Description

Trio spoke handle
Requires separate volume control

For use with Grohtherm thermostatic rough-in valves:
34 122, 34 123, 34 124, or 34 125

Flow Rate

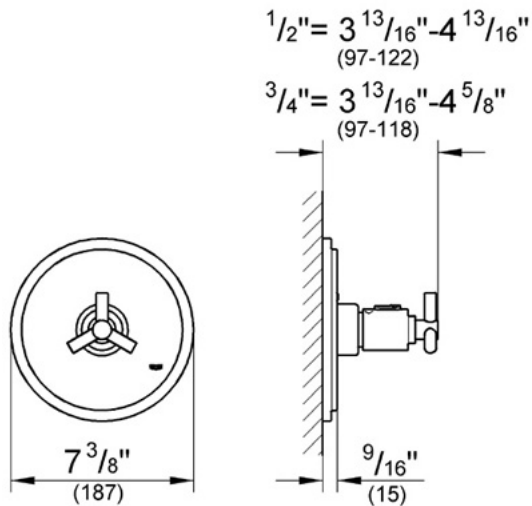
NA

Code Compliance

ASME/ANSI A112.18.1M

Finish Options

- 19 169 OOO Starlight® Chrome
- 19 169 AVO Infinity Satin Nickel
- 19 169 BEO Sterling Infinity Finish
- 19 169 ENO Infinity Brushed Nickel



28 373 Shower Head



Description

8" diameter
120 spray nozzles
GROHE DreamSpray® Technology
Speedclean anti-lime system
1/2" NPT female threads

Spray: Non-adjustable wide spray

Flow Rate

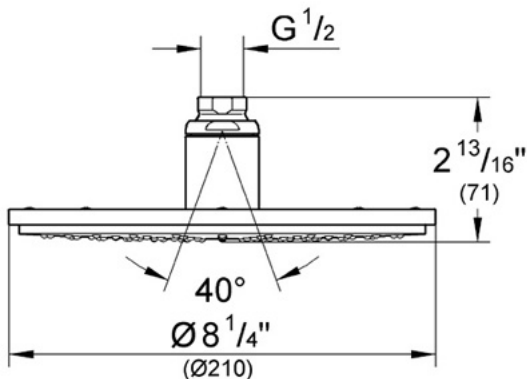
2.5 gpm at 80 psi

Code Compliance

ASME/ANSI A112.18.1M

Finish Options

28 373 OOO Starlight® Chrome
28 373 ROO Infinity Polished Brass
28 373 AVO Infinity Satin Nickel
28 373 RRO Velour Chrome
28 373 BEO Sterling Infinity Finish
28 373 ENO Infinity Brushed Nickel



Relexa Ultra 27 070

Massage Body Spray



Description

Two spray patterns
Extreme low profile
GROHE DreamSpray® Technology
Speedclean® anti-lime system
1/2" NPT female threads
Spray patterns:
Normal/Massage

Flow Rate

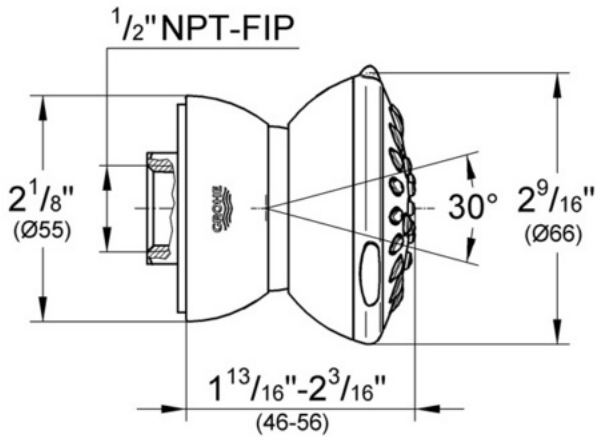
2.5 gpm at 80 psi (9.5 lpm)

Code Compliance

- * ASME/ANSI A112.18.M
- * ASSE Standard 1016
- * ANSI/NSF Standard 61

Finish Options

- 27 070 000 Chrome
- 27 070 ENO Infinity Brushed Nickel
- 27 070 ZBO Oil Rubbed Bronze



27 085 Hand-held



Description

GROHE DreamSpray® technology
4 spray patterns
6 1/4" face
SpeedClean anti-lime system
Multiple shell handle construction prevents heat transfer

Spray patterns:
Rain spray
Jet spray
Champagne spray
Laminar

Flow Rate

2.5 gpm at 80 psi

Code Compliance

ASME/ANSI A112.18.1M

Finish Options

27 085 OOO Starlight® Chrome
27 085 AVO Infinity Satin Nickel
27 085 ENO Infinity Brushed Nickel

Rainshower 28 577

12" Shower Arm



Description

1/2" NPT male threads

Can be used with any GROHE shower head EXCEPT Rainshower Jumbo.

Flow Rate

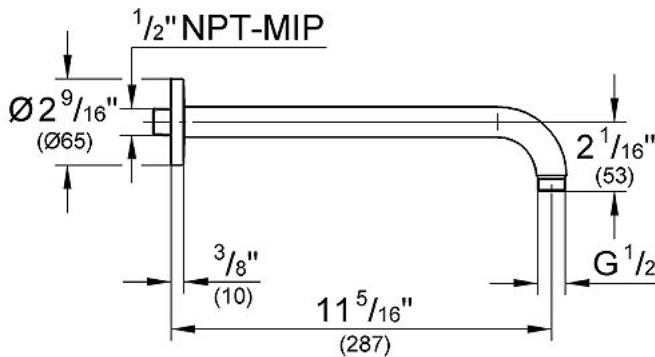
N/A

Code Compliance

* ASME/ANSI A112.18.M

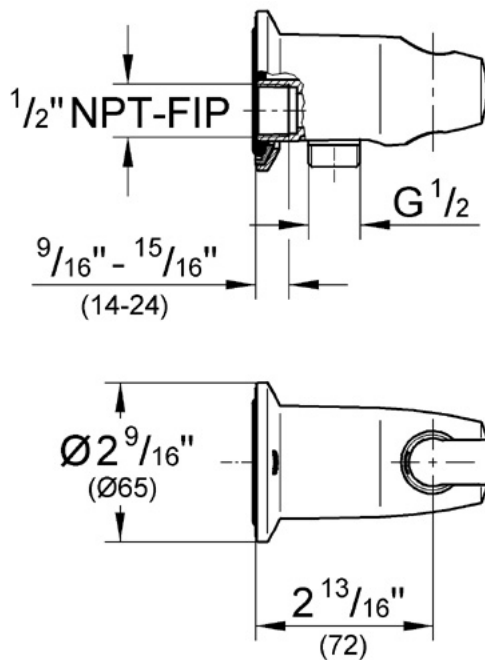
Finish Options

- 28 577 OOO Chrome
- 28 577 ROO Infinity Polished Brass
- 28 577 AVO Infinity Satin Nickel
- 28 577 RRO Velour Chrome
- 28 577 BEO Sterling Infinity Finish
- 28 577 ENO Infinity Brushed Nickel
- 28 577 ZBO Oil Rubbed Bronze



Accessories 28 484

Wall Union with Hand Shower Holder



Description

Inlet: $1/2''$ NPT female thread

Flow Rate

NA

Code Compliance

* ASME/ANSI A112.18.M

Finish Options

- 28 484 OOO Chrome
- 28 484 ROO Infinity Polished Brass
- 28 484 AVO Infinity Satin Nickel
- 28 484 RRO Velour Chrome
- 28 484 BEO Sterling Infinity Finish
- 28 484 ENO Infinity Brushed Nickel
- 28 484 ZBO Oil Rubbed Bronze

28 417 Twist-Free Hoses



Description

59" metal hand shower hose
Rotating hand shower connector eliminates hose twisting
Connector with silicone strip to hold hand shower firmly in place on shower bar

Flow Rate

NA

Code Compliance

ASME/ANSI A112.18.1M

Finish Options

28 417 OOO Starlight® Chrome
28 417 ROO Infinity Polished Brass
28 417 AVO Infinity Satin Nickel
28 417 RRO Velour Chrome
28 417 BEO Sterling Infinity Finish
28 417 ENO Infinity Brushed Nickel
28 417 ZBO Oil Rubbed Bronze