

19 431 Pressure Balance Valve trim



Description

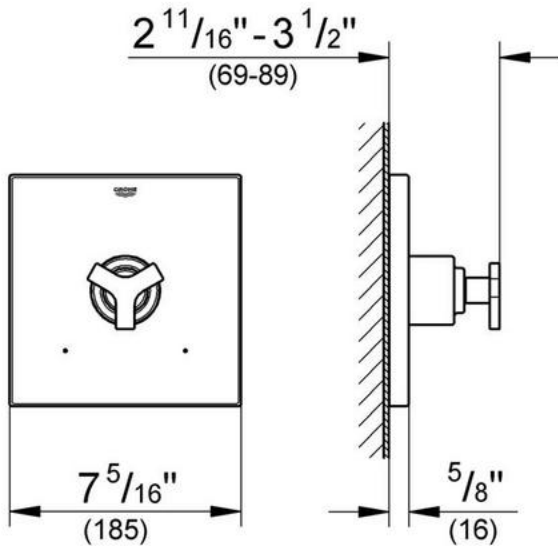
GROHE Allure Cross Handle
For use with Grohsafe® Pressure Balance Rough-In Valve
35 015 (sold separately)

Flow Rate

N/A

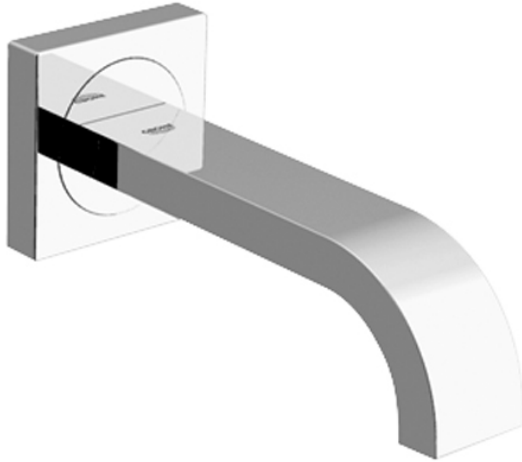
Finish Options

19 431 000 Starlight® Chrome



Allure 13 306

6 3/4" Tub Spout



Description

Wall Mount 2. 1/2" Inlet

Flow Rate

N/A

Code Compliance

* ASME/ANSI A112.18.M

Finish Options

13 306 000 Chrome

