

## 19 825 Authentic Dual Function Thermostatic Trim with Control Module

### Description

For shower/tubs with non-diverter tub spout or for 2 shower outlet applications  
 GROHE TurboStat® Technology  
 Integrated volume control  
 2-way diverter function  
 1 axis operation

For use with GrohFlex Universal Rough-In Box 35 026 000 sold separately.

### Flow Rate

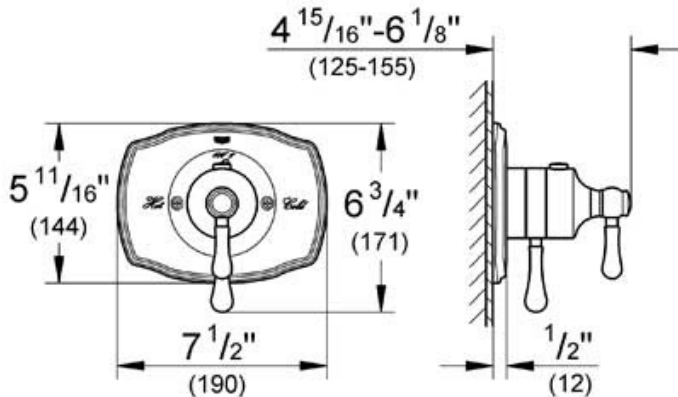
6.6 gpm at 45 psi (25 l/min)

### Code Compliance

ASME/ANSI A112.18.1M  
 CSA Standard B125.1-05  
 ADA Compliant

### Available Finishes

000 Starlight® Chrome  
 BE0 Polished Nickel Infinity Finish  
 EN0 Infinity Brushed Nickel  
 ZB0 Oil Rubbed Bronze



## 27 130 Shower Head



### Description

---

6 1/4" face  
4 spray patterns  
1/2" NPT Female Threads  
GROHE DreamSpray® Technology  
SpeedClean® Anti-Lime System

### Flow Rate

---

N/A

### Code Compliance

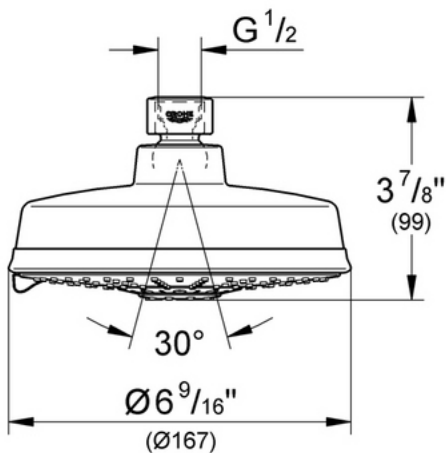
---

ASME/ANSI A112.18.1M

### Finish Options

---

27 130 OOO Starlight® Chrome  
27 130 BEO Sterling Infinity Finish  
27 130 ENO Infinity Brushed Nickel  
27 130 ZBO Oil Rubbed Bronze



# Seabury 27 011

## Shower arm & flange



### Description

Tubular brass  
1/2" male threads

### Flow Rate

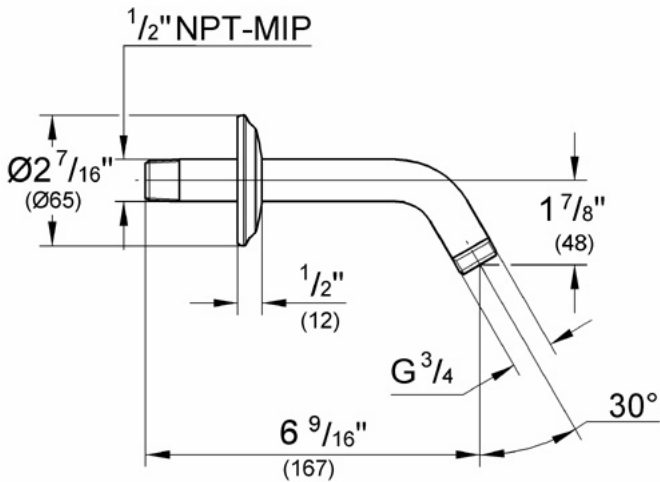
N/A

### Code Compliance

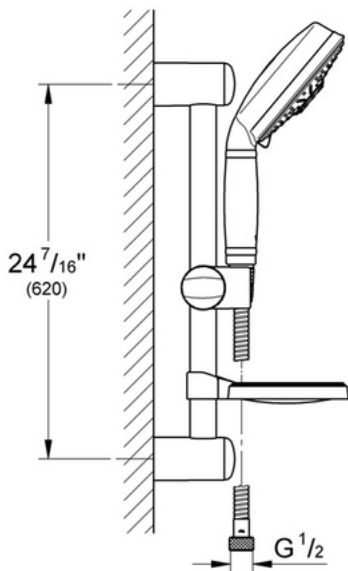
\* ASME/ANSI A112.18.M

### Finish Options

- 27 011 OOO Chrome
- 27 011 ROO Infinity Polished Brass
- 27 011 AVO Infinity Satin Nickel
- 27 011 RRO Velour Chrome
- 27 011 BEO Sterling Infinity Finish
- 27 011 ENO Infinity Brushed Nickel
- 27 011 ZBO Oil Rubbed Bronze



## 27 140 Shower Set



### Description

Rainshower Rustic Hand-Held (27 129)  
3 spray patterns: Rain, Jet, Laminar  
GROHE DreamSpray® Technology  
SpeedClean® Anti-Lime System  
24" adjustable height shower bar  
59" shower hose  
Universal tray  
Swivel hand shower holder

### Flow Rate

N/A

### Code Compliance

ASME/ANSI A112.18.1M

### Finish Options

27 140 OOO Starlight® Chrome  
27 140 BEO Sterling Infinity Finish  
27 140 ENO Infinity Brushed Nickel  
27 140 ZBO Oil Rubbed Bronze

## 28 459 Wall Union



### Description

Inlet: 1/2" NPT female thread

### Flow Rate

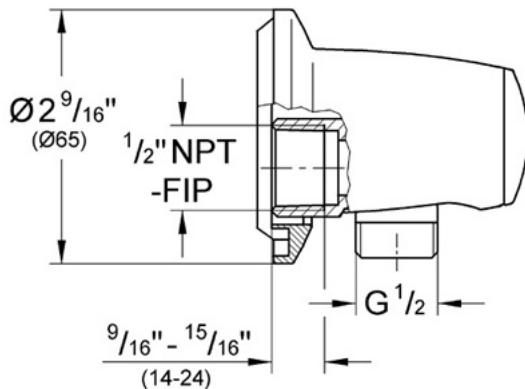
NA

### Code Compliance

ASME/ANSI A112.18.1M

### Finish Options

- 28 459 OOO Starlight® Chrome
- 28 459 ROO Infinity Polished Brass
- 28 459 AVO Infinity Satin Nickel
- 28 459 RRO Velour Chrome
- 28 459 BEO Sterling Infinity Finish
- 28 459 ENO Infinity Brushed Nickel
- 28 459 ZBO Oil Rubbed Bronze



## 35 026 Universal Rough-In Box



### Description

- 1/2" inlets and outlets
- Fixing points for front and back wall
- Leakproof housing
- Integrated service stops
- Flushing plug
- Removable protection cover with installation information

For use with the GrohFlex Bathroom Solution Kits (sold separately): Single Function, Dual Function, or Custom Shower.

### Flow Rate

N/A

### Code Compliance

ASME/ANSI A112.18.1M  
CSA Standard B125.1-05

### Available Finishes

000 Rough-In

